

Lithium Ion Jump Starter and USB Power Source

OWNERS MANUAL

FOR MODELS
SL1439
SL1519
SL1567

VOIR PAGE 5
POUR LE MANUEL
EN FRANÇAIS.

PLEASE SAVE THIS OWNERS MANUAL AND READ BEFORE EACH USE.

This manual will explain how to use the jump starter safely and effectively.
Please read and follow these instructions and precautions carefully.

1. IMPORTANT SAFETY INSTRUCTIONS – SAVE THESE INSTRUCTIONS.

WARNING: RISK OF EXPLOSIVE GASES.

WORKING IN THE VICINITY OF A LEAD-ACID BATTERY IS DANGEROUS. BATTERIES GENERATE EXPLOSIVE GASES DURING NORMAL OPERATION. IT IS IMPORTANT THAT YOU FOLLOW THESE INSTRUCTIONS EACH TIME YOU USE THE UNIT.

To reduce the risk of battery explosion, follow these instructions and those published by the battery manufacturer and the manufacturer of any equipment you intend to use in the vicinity of a battery. Review cautionary markings on these products and on the engine.

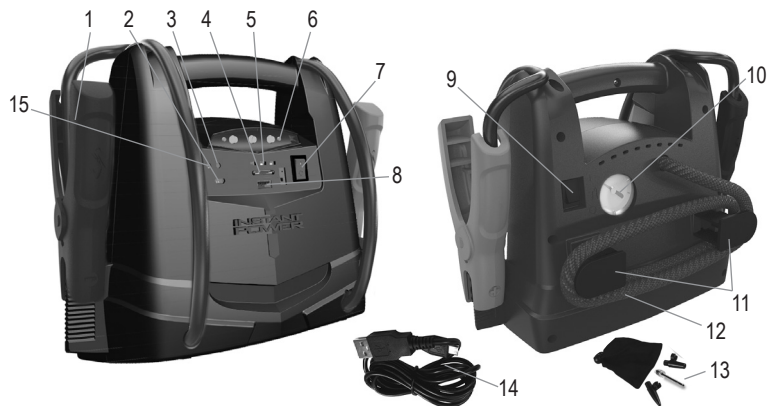
WARNING! RISK OF ELECTRIC SHOCK OR FIRE.

- 1.1 Keep out of reach of children.
- 1.2 Do not disassemble the jump starter. Take it to a qualified service professional if service or repair is required. Incorrect assembly may result in fire or electrical shock.
- 1.3 Do not use the jump starter to jump a vehicle while charging the internal battery.
- 1.4 Do not recharge the jump starter with a damaged USB cable.
- 1.5 The jump starter gets hot during charging and must have proper ventilation.
- 1.6 Do not set the jump starter on flammable materials, such as carpeting, upholstery, paper, cardboard, etc.
- 1.7 Place the jump starter as far away from the battery being jumped as the cables will permit.
- 1.8 Do not expose the jump starter to rain or snow.
- 1.9 Never attempt to jump start a frozen battery.
- 1.10 Never place the jump starter directly above battery being jumped.
- 1.11 To prevent arcing, never allow the clamps to touch together or to contact the same piece of metal.
- 1.12 Use of an attachment not recommended or sold by the jump starter manufacturer may result in damage to the unit or personal injury.
- 1.13 Never operate the jump starter if it is damaged.
- 1.14 If someone else uses the jump starter, ensure they are well informed on how to use it safely, and have read and understood the operating instructions.
- 1.15 The jump starter is NOT designed to be installed as a replacement for a vehicle battery.
- 1.16 Use ONLY on vehicles, boats and garden tractors powered with a 12V DC battery system.
- 1.17 If the engine fails to start after the recommended number of attempts, disconnect the unit and look for other problems that may need to be corrected.
- 1.18 Use the jump starter for jump starting lead-acid batteries only. Do not use for dry cell batteries that are commonly used with home appliances.

2. PERSONAL SAFETY PRECAUTIONS

- 2.1 Wear complete eye protection and protective clothing when working near lead-acid batteries. Always have someone nearby for help.
- 2.2 Have plenty of fresh water, soap and baking soda nearby for use, in case battery acid contacts your eyes, skin, or clothing. Wash immediately with soap and water and seek medical attention.
- 2.3 If battery acid comes in contact with eyes, flush eyes immediately for a minimum 10 minutes and get medical attention.
- 2.4 Neutralize any acid spills thoroughly with baking soda before attempting to clean up.
- 2.5 Remove all personal metal items from your body, such as rings, bracelets, necklaces and watches. A battery can produce a short circuit current high enough to weld a ring to metal, causing a severe burn.
- 2.6 Never smoke or allow a spark or flame in the vicinity of the battery or engine.
- 2.7 **This product contains a lithium ion battery.** In case of fire, you may use water, a foam extinguisher, Halon, CO₂, ABC dry chemical, powdered graphite, copper powder or soda (sodium carbonate) to extinguish the fire. Once the fire is extinguished, douse the product with water, an aqueous-based extinguishing agent, or other nonalcoholic liquids to cool the product and prevent the battery from re-igniting. NEVER attempt to pick up or move a hot, smoking, or burning product, as you may be injured.
- 2.8 **NOTE:** This equipment has been tested and found to comply with the limits for a Class B digital device, pursuant to part 15 of the FCC Rules. These limits are designed to provide reasonable protection against harmful interference in a residential installation. This equipment generates, uses, and can radiate radio frequency energy and, if not installed and used in accordance with the instructions, may cause harmful interference to radio communications. However, there is no guarantee that interference will not occur in a particular installation. If this equipment does cause harmful interference to radio or television reception, which can be determined by turning the equipment off and on, the user is encouraged to try to correct the interference by one or more of the following measures:
 - Reorient or relocate the receiving antenna.
 - Increase the separation between the equipment and receiver.
 - Connect the equipment into an outlet on a circuit different from that to which the receiver is connected.
 - Consult the dealer or an experienced radio/TV technician for help.

3. FEATURES



1. Battery clamps
2. Micro-USB charging port
3. Ready/Fail LED
4. Battery status/Light button
5. Battery status indicators
6. Built-in work light
7. ON/OFF Power switch
8. USB port
9. Air compressor ON/OFF switch
10. Air compressor gauge
11. Air compressor hose wrap cleats
12. Air compressor hose
13. Air compressor adapters and storage bag
14. Micro/USB charging cable
15. Reversed LED

4. CHARGING THE INTERNAL BATTERY OF THE JUMP STARTER

IMPORTANT: CHARGE IMMEDIATELY AFTER PURCHASE, AFTER EACH USE AND EVERY 30 DAYS, TO KEEP THE JUMP STARTER'S INTERNAL BATTERY FULLY CHARGED AND PROLONG BATTERY LIFE.

4.1 CHECKING THE LEVEL OF THE INTERNAL BATTERY

Press the ON/OFF Power switch, and then press the **Battery Status/Light** button on the front of the unit. The LEDs will indicate the current charge level as follows:

Red LED flashing: 0-5% of full charge; immediately charge the unit.

Red LED solid: 6-49% of full charge.

Yellow LED solid: 50-75% of full charge.

Green LED solid: 76-100% of full charge.

4.2 CHARGING THE INTERNAL BATTERY

The jump starter will fully charge in 3-4 hours.

NOTE: Use a 2A USB charger (not included), or a 2A USB charging port to quickly recharge the jump starter. Using a charger with less than 2A will increase charge time.

1. Plug the Micro USB end of a charging cable into the input port. Next, plug the USB end of the charging cable into your charger's USB port.

2. Plug your charger into a live power source.

3. When the unit is charging, the three LEDs will flash as follows:

Red LED flashing: 0-49%

Red LED solid and Yellow LED flashing: 50-75%

Red and Yellow LEDs solid and Green LED flashing: 76-99%

Green LED solid: 100%

4. Ten seconds after the battery has reached full charge, the green LED will turn solid.

5. If the Red **Ready/Fail** LED lights and the buzzer sounds, the unit's protection has been activated (such as short circuit protection, reverse polarity protection, etc.) and the unit will not operate.

6. When the battery is fully charged, disconnect your charger from the power source and then remove the charging cable from the charger and the unit. Make sure the power switch is set to OFF, if not using the jump starter immediately.

5. OPERATING INSTRUCTIONS

5.1 JUMP STARTING A VEHICLE

IMPORTANT: Using the jump starter without a battery installed in the vehicle will damage the vehicle's electrical system.

1. Turn the ignition OFF.

2. Lay the DC cables away from any fan blades, belts, pulleys and other moving parts.

3. For a negative-ground vehicle (as in most vehicles), connect the jump starter's POSITIVE (RED) clamp to the POSITIVE (POS, P, +) battery post. Next, connect the NEGATIVE (BLACK) clamp to the vehicle chassis or engine block, away from the battery.

4. For a positive-ground vehicle, connect the jump starter's NEGATIVE (BLACK) clamp to the NEGATIVE (NEG, N, -) battery post. Next, connect the POSITIVE (RED) clamp to the vehicle chassis or engine block away from the battery.

5. Press the ON/OFF switch to turn on the jump starter. The green **Ready** LED will light.

6. It is best to wait 30 seconds after clamp connection to attempt to start the vehicle. Crank for up to 5 seconds. If engine does not start, wait 30 seconds before cranking again.

7. After the engine starts, press the ON/OFF switch to turn the jump starter off, and then disconnect the black clamp (-) and the red clamp (+), in that order.

8. Recharge the unit as soon as possible after each use. **NOTE:** Recharge the unit when all LEDs are off.

5.2 USING THE USB PORT

The USB port provides up to 2.4A at 5V DC.

1. Ensure the battery clamps are securely clipped on the storage holders.

2. Flip the ON/OFF power switch to turn the unit ON.

3. Plug your device into the USB port.

4. Turn on the USB device.

5. When finished using the USB port, flip the switch to the OFF position.

6. Recharge the unit as soon as possible after each use.

5.3 USING THE WORK LIGHT

1. Position the jump starter on a flat, stable surface near the intended work area.
2. Ensure the battery clamps are securely clipped on the storage holders.
3. Flip the ON/OFF power switch to the ON position.
4. Press the **Battery Status/Light** button on the front of the unit for 0.75 second, to turn on the work light.
5. When finished using the work light, press the button for 0.75 second, to turn off the work light.
6. Recharge the unit as soon as possible after each use.

5.4 USING THE AIR COMPRESSOR

WARNING. Read the instructions of the product being inflated before using the compressor. Avoid overinflation; do not exceed the manufacturer's recommended pressures. Do not leave the air compressor unattended during use.

1. Remove the air compressor hose from the storage cleats.
2. Connect the adapter to the valve stem by threading it onto the end. If necessary, use one of the additional adapters.
3. Turn ON the compressor power switch and inflate to the desired pressure or fullness.

NOTE: To prevent overheating, the compressor has built-in thermal protection that will turn the compressor off before it overheats. If the compressor shuts off, wait a few minutes and it will automatically restart when the compressor cools.

4. When the desired pressure is reached, move the compressor power switch to OFF and unthread the connector from the valve stem.
5. Wrap the compressor hose around these cleats when it is not being used.
6. Allow unit to cool.
7. Recharge the unit before storing.

NOTE: The air compressor is rated for 150 PSI.

ESTIMATED TIME FOR INFLATING

Vehicle tires 13-16"	6-24 minutes
Bike tires	1-3 minutes
Sports balls	30 seconds

These times are approximate. Use the air compressor gauge to ensure the proper pressure has been reached. Do not overinflate.

5.5 ENERGY SAVING MODE

If the unit is not used after the ON/OFF power switch is turned on, the unit will go into Energy Saving mode after 10 minutes to prevent battery discharge. Follow these steps to use any function after Energy Saving mode:

1. Press the ON/OFF power switch to turn the unit ON.
2. The Green **Ready/Fail** LED will light.
3. After 10 minutes, The USB port and Battery Status/Light function will turn off.
4. After 10 minutes, The Green **Ready/Fail** LED will turn off.
5. Press the **Battery Status/Light** button once. The unit is now ready for checking the battery status and using the jump starter, compressor, USB and work light.

6. MAINTENANCE AND STORAGE

- 6.1 Clean the clips and the case each time you are finished using it.
- 6.2 Charge battery to full capacity before storage.
- 6.3 Store this unit at the temperatures between 14°F and 113°F (-10°C and 45 °C).
- 6.4 Store clips on their support posts, to ensure they do not come into contact with any metallic surface.
- 6.5 Never completely discharge the internal battery.
- 6.6 Charge after each use.
- 6.7 Charge at least once every month, if not in frequent use, to prevent over-discharge.

7. TROUBLESHOOTING

PROBLEM	POSSIBLE CAUSE	SOLUTION
The jump starter won't jump start my car.	Clamps are not making a good connection to the battery.	Check for poor connection to battery and frame. Make sure connection points are clean.
	Connections are reversed.	Disconnect the jump starter and reverse the clamps.
	The jump starter's battery is not charged.	Press the Battery Status button on the front of the unit. The LEDs will indicate the status of charge.
	The vehicle's battery is defective.	Have the battery checked.
	The jump starter is not turned on.	Press ON/OFF switch to turn on the jump starter.
The jump starter will not operate.	Low temperature protection.	Use the USB adaptor to charge and activate.
The battery in the jump starter won't hold a charge.	The battery is bad (will not accept a charge).	Have the battery checked.
The compressor shuts off.	The compressor has built-in thermal protection that will turn the compressor off before it overheats.	Wait a few minutes and it will automatically restart when the compressor cools.

Ready/Fail and Reversed LED Behavior

Ready/Fail LED lit solid green	Ready to jump start
Ready/Fail LED lit solid red and buzzer sounds continuously	Short circuit protection
No LED lit and no buzzer beep	Battery exhausted
Ready/Fail and Reversed LED lit solid red and buzzer sounds continuously	Reverse polarity protection
Ready/Fail LED flashing red and buzzer sounds every second	High temperature protection for unit

Battery Status LED Behavior

Red, Yellow and Green LEDs flash at the same time.	High temperature protection for unit
--	--------------------------------------

8. REPLACEMENT PARTS

Micro USB-USB charging cable..... 3899003781Z

9. BEFORE RETURNING FOR REPAIRS

For REPAIRS OR RETURNS, visit 365rma.com
Visit schumacherelectric.com for Replacement Parts.

10. LIMITED WARRANTY

For information on our one-year limited warranty, please visit schumacherelectric.com or call 1-800-621-5485 to request a copy.
Go to schumacherelectric.com to register your product online.



ESSAYER DE GARDER LE MANUEL D'INSTRUCTIONS ET LE LIRE AVANT CHAQUE UTILISATION.

Ce manuel explique comment utiliser l'unité d'une façon sûre et efficace.

S'il vous plaît lisez et suivez ces instructions et précautions.

1. CONSIGNES DE SÉCURITÉ IMPORTANTES – CONSERVER CES INSTRUCTIONS.

AVERTISSEMENT : RISQUE DE GAZ EXPLOSIFS.

TRAVAILLER À PROXIMITÉ D'UNE BATTERIE AU PLOMB EST DANGEREUX. LES BATTERIES PRODUISENT DES GAZ EXPLOSIFS EN MARCHÉ NORMALE. POUR CETTE RAISON, IL EST IMPORTANT QUE VOUS SUIVIEZ LES INSTRUCTIONS CHAQUE FOIS QUE VOUS UTILISEZ L'UNITÉ.

Pour réduire les risques d'explosion de la batterie, suivez ces instructions et celles publiées par le fabricant de la batterie et le fabricant de tout équipement que vous avez l'intention d'utiliser à proximité de la batterie. Examinez les marquages sur ces produits et sur le moteur.

AVERTISSEMENT : RISQUE DE CHOC ÉLECTRIQUE OU D'INCENDIE.

- 1.1 Ne pas laisser à la portée des enfants.
- 1.2 Ne démontez pas l'unité. Prenez-la à une personne qualifiée si une réparation est nécessaire. Un montage incorrect peut provoquer un incendie ou un choc électrique.
- 1.3 Ne pas utiliser l'unité pour démarrer un véhicule pendant le chargement de la batterie interne.
- 1.4 Ne pas recharger l'unité avec un câble USB endommagé.
- 1.5 L'unité devient chaude pendant la charge et doit avoir une ventilation adéquate.
- 1.6 Ne mettez pas l'unité sur des matériaux inflammables, tels que les tapis, tissus d'ameublement, papier, carton, etc..
- 1.7 Placez l'unité loin de la batterie qui va être utilisé étant que les câbles le permettent.
- 1.8 Ne pas exposer l'unité à la pluie ou la neige.
- 1.9 Ne jamais essayer de démarrer une batterie gelée.
- 1.10 Ne placez jamais l'unité directement au-dessus de la batterie qui va être utilisé.
- 1.11 Pour éviter un arc électrique, ne jamais laisser les pinces se toucher entre eux ou mis avec le même morceau de métal.
- 1.12 L'utilisation d'un accessoire non recommandé ou vendu par le fabricant peut entraîner des dommages à l'appareil ou des blessures corporelle.
- 1.13 Ne jamais utiliser l'unité si elle est endommagée.
- 1.14 Si quelqu'un d'autre utilise l'unité, assurez-vous qu'ils sont bien informés sur la façon de l'utiliser en toute sécurité, et avoir lu et compris les instructions de fonctionnement.
- 1.15 L'unité n'est pas conçue pour être installée comme un remplacement de la batterie du véhicule.
- 1.16 Utiliser SEULEMENT sur les véhicules, les bateaux et les tracteurs de jardin alimentés par un système de batterie de 12V DC.
- 1.17 Si le moteur ne démarre pas après le nombre de tentatives recommandé, débranchez l'unité et chercher d'autres problèmes qui peuvent avoir besoin d'être corrigée.
- 1.18 Utilisez l'unité pour le démarrage des batteries au plomb acide SEULEMENT. Ne pas utiliser pour des batteries sèches qui sont couramment utilisés dans les appareils ménagers.

2. MESURES DE SÉCURITÉ PERSONNELLE

- 2.1 Porter des lunettes et des vêtements de protection lorsque vous travaillez à proximité des batteries au plomb. Toujours avoir quelqu'un à proximité pour vous aider.
- 2.2 Avoir beaucoup d'eau fraîche, du savon et du bicarbonate de soude pour une utilisation à proximité, en cas si l'acide touche vos yeux, la peau ou les vêtements. Laver immédiatement avec du savon et de l'eau et consulter un médecin.
- 2.3 Si l'acide de la batterie entre en contact avec les yeux, rincer les yeux immédiatement pendant 10 minutes et consulter un médecin.
- 2.4 Neutraliser l'acide avec du bicarbonate de soude avant d'essayer de nettoyer.
- 2.5 Retirez tous les objets personnels en métal de votre corps, tels que des bagues, bracelets, colliers et montres. Une batterie peut produire un court-circuit suffisamment élevé pour souder une bague de métal, causant de graves brûlures.
- 2.6 Jamais fumer ou laisser une étincelle ou d'une flamme à proximité de la batterie ou du moteur.
- 2.7 **Ce produit contient une batterie au lithium-ion.** Si le produit venait à prendre feu, vous pouvez utiliser de l'eau, un extincteur à mousse, de l'halon, du CO₂, de la poudre ABC, de la poudre de graphite, de la poudre de cuivre ou du bicarbonate de sodium pour éteindre le feu. Une fois que le feu est éteint, arrosez le produit avec de l'eau, un agent d'extinction à base aqueuse ou d'autres liquides libres d'alcool pour le refroidir et éviter que la batterie ne reprenne feu. N'ESSAYEZ JAMAIS de prendre ou de déplacer un produit chaud, fumant ou en feu, car vous risqueriez de vous brûler.
- 2.8 **REMARQUE :** Cet équipement a passé les tests de conformité au règlement FCC section 15 concernant les limites d'émissions de dispositifs numériques de classe B. Ces limites visent à procurer une protection raisonnable contre toute interférence dérangeante dans un environnement résidentiel. Le présent appareil, génère, utilise et irradie de l'énergie électromagnétique et, s'il n'est pas installé et utilisé selon les instructions, pourrait causer de l'interférence dérangeante aux communications radiophoniques. Cependant, aucune garantie n'est donnée qu'il n'y aura pas d'interférence causée dans des cas particuliers. Si cet appareil cause de l'interférence aux ondes radio et télévisuelles, ceci pouvant être déterminé en arrêtant l'appareil, vérifiant la réception hertzienne et remettant l'appareil en fonction pour confirmer qu'il en est la cause, et l'interférence pourra être résolue par une ou plusieurs des mesures suivantes :
 - Réorienter ou relocaliser l'antenne de réception hertzienne.
 - Augmenter la distance entre l'appareil de recharge et le poste récepteur (radio/téléviseur).
 - Raccorder l'appareil ou le poste récepteur sur un circuit électrique différent.
 - Consulter un concessionnaire ou un technicien radio/TV expérimenté pour assistance.

3. CARACTÉRISTIQUES



1. Pinces de batterie
2. Port d'entrée Micro USB pour recharger
3. Témoin DEL Ready/Fail (Prêt/Échec)
4. Bouton pour l'état de la batterie et la lumière
5. Indicateurs d'état de la batterie
6. Lampe de travail intégrée
7. Interrupteur ON / OFF
8. Port USB
9. Interrupteur du compresseur ON / OFF
10. Jauge du compresseur
11. Emballages flexibles pour tuyau
12. Tuyau du compresseur
13. Air adaptateurs et sac de rangement
14. Câble de charge micro USB-USB
15. DEL inversée

4. CHARGEMENT DE LA BATTERIE INTERNE DE L'AIDE AU DÉMARRAGE

IMPORTANT : CHARGE IMMÉDIATEMENT APRÈS L'ACHAT, APRÈS CHAQUE UTILISATION ET TOUS LES 30 JOURS, POUR GARDER LA BATTERIE INTERNE DE L'UNITÉ ENTIÈREMENT CHARGÉE ET PROLONGERA LA VIE DE BATTERIE.

4.1 VÉRIFICATION DU NIVEAU DE LA BATTERIE INTERNE

Appuyez sur l'interrupteur d'alimentation (ON/OFF), puis sur le bouton **Battery Status/Light** (État de la batterie/lampe) sur le devant de l'unité. Les témoins DEL indiqueront le niveau de charge comme suit :

LED rouge clignotant : 0-5% de charge complète; charger immédiatement l'appareil.

LED rouge solide : 6-49% de charge complète

LED jaune solide : 50-75% de charge complète.

LED verte solide : 76-100% de charge complète.

4.2 CHARGE DE LA BATTERIE INTERNE

Le démarreur d'appoint se recharge complètement en trois ou quatre heures.

REMARQUE : Utilisez un chargeur USB de 2 A (non compris) ou un port de charge USB de 2 A pour recharger rapidement le démarreur d'appoint. L'utilisation d'un chargeur d'une puissance inférieure à 2 A augmente le temps de recharge.

1. Branchez l'extrémité à connecteur Micro USB du câble de recharge dans le port d'entrée. Ensuite, branchez l'extrémité à connecteur USB du câble de recharge dans le port USB de votre chargeur.

2. Branchez le chargeur dans une prise de courant sous tension.

3. Trois témoins DEL clignoteront comme suit lorsque l'unité est en charge :

LED rouge clignotant : 0-49%

LED rouge solide et LED jaune clignotant : 50-75%

LED rouge et jaune solide et LED verte clignotant : 76-99%

LED verte solide : 100%

4. Dix secondes après avoir atteint sa pleine charge, le témoin DEL vert sera allumé de manière fixe.

5. Si le témoin rouge **Ready/Fail** (Prêt/Échec) s'allume et que l'avertisseur sonore retentit, cela signifie que le système de protection de l'unité s'est activé (p. ex., protection contre les courts-circuits, contre l'inversion de polarité) et l'unité ne fonctionnera pas.

6. Lorsque la batterie est entièrement chargée, débranchez le chargeur de la source d'alimentation, puis débranchez le câble de recharge du chargeur et de l'unité. N'oubliez pas d'éteindre l'unité (interrupteur d'alimentation à OFF) si vous n'utilisez pas immédiatement le démarreur d'appoint.

5. CONSIGNES D'UTILISATION

5.1 DÉMARRAGE D'UN MOTEUR DE VÉHICULE

IMPORTANT : l'utilisation de l'aide au démarrage sans batterie installée dans le véhicule causera des dommages au système électrique du véhicule.

1. Coupez le contact du véhicule.

2. Disposez les câbles CC loin de toutes pales de ventilateur, courroies, poulies et autres pièces mobiles.

3. Pour un véhicule à masse négative (comme dans la plupart des véhicules), connectez POSITIF l'unité (Rouge) pince à la borne de la batterie (POS, P, +) POSITIVE. Ensuite, connectez la borne NÉGATIVE (NOIRE) pince au châssis du véhicule ou le bloc moteur, loin de la batterie.

4. Pour un véhicule positive terre, branchez NEGATIVE l'unité (NOIR) pince à la borne NÉGATIVE (NEG, N, -) de la batterie. Ensuite, connectez la borne POSITIVE (ROUGE) pince au châssis du véhicule ou le bloc moteur à distance de la batterie.

5. Appuyez sur l'interrupteur d'alimentation (ON/OFF) pour mettre le démarreur d'appoint sous tension. Le témoin DEL vert s'allume.

6. Il est préférable d'attendre 30 secondes après avoir installé les pinces avant d'essayer de faire démarrer le véhicule. Lancez le moteur jusqu'à cinq secondes. Si le moteur ne démarre pas, attendez 30 secondes avant de faire un autre essai.

7. Lorsque le moteur est en marche, appuyez sur l'interrupteur d'alimentation (ON/OFF) pour éteindre le démarreur d'appoint, puis débranchez la pince noire (-) avant de débrancher la pince rouge (+).

8. Rechargez l'appareil dès que possible après l'avoir utilisé. **REMARQUE:** rechargez l'unité lorsque tous les voyants sont éteints.

5.2 UTILISATION DU PORT USB

Le port USB fournit presque 2,4A avec 5V CC.

1. S'assurer que les pinces de batterie sont correctement installées sur les supports de stockage.

2. Flip the ON/OFF power switch to turn the unit ON.

3. Branchez l'appareil sur le port USB.

4. Mettez le dispositif USB en fonction.

5. Lorsque vous avez terminé d'utiliser le port USB, placez l'interrupteur d'alimentation à la position OFF.

6. Rechargez l'appareil dès que possible après l'avoir utilisé.

5.3 UTILISATION DE LA LAMPE DE TRAVAIL

1. Placez le démarreur d'appoint sur une surface plate et stable près de l'aire de travail.
2. S'assurer que les pinces de batterie sont correctement mis sur les supports de stockage.
3. Placez l'interrupteur d'alimentation à la position ON.
4. Appuyez brièvement sur le bouton Battery Status/Light (État de la batterie/lampe) pour allumer la lampe de travail.
5. Lorsque vous n'avez plus besoin de la lampe de travail, appuyez de nouveau pendant 0,75 seconde sur le bouton pour l'éteindre.
6. Rechargez l'appareil dès que possible après l'avoir utilisé.

5.4 UTILISATION DU COMPRESSEUR D'AIR

AVERTISSEMENT : Lisez les instructions du produit étant gonflé avant d'utiliser le compresseur. Évitez de trop gonfler, ne pas dépasser les pressions recommandées par le fabricant. Ne laissez pas le compresseur d'air sans surveillance pendant son utilisation.

1. Retirer le tuyau du compresseur d'air à partir des taquets de stockage à l'arrière de l'unité.
2. Branchez l'adaptateur à la tige de valve en le vissant sur l'extrémité. Si nécessaire, utilisez l'un des adaptateurs supplémentaires.
3. Mettez le sélecteur sur la position ON et gonfler à la pression ou à la plénitude désirée.

REMARQUE : Pour éviter une surchauffe, le compresseur a une protection thermique intégrée qui éteindra le compresseur avant qu'il ne surchauffe. Si le compresseur s'arrête, attendez quelques minutes et il redémarrera automatiquement lorsque le compresseur refroidira.

4. Lorsque le produit est gonflé à la bonne pression d'air, déplacez le sélecteur sur la position OFF et retirez le connecteur de la tige de valve.
5. Enroulez le tuyau du compresseur autour de ces taquets quand il n'est pas utilisé.
6. Laissez l'unité se refroidir.
7. Chargez l'unité avant de les stocker.

REMARQUE : Le compresseur d'air est conçu pour 150 PSI.

TEMPS ESTIMÉ POUR LE GONFLAGE

Pneus de véhicule 13-16"	6-24 minutes
Pneus des vélos	1-3 minutes
Ballons de sport	30 secondes

Ces temps sont approximatifs, utilisez la jauge de compresseur d'air pour assurer une pression correcte. Ne pas trop gonfler.

5.5 MODE D'ÉCONOMIE D'ÉNERGIE

Si l'unité n'est pas utilisée après avoir été mise sous tension, elle passera en mode d'économie d'énergie après 10 minutes, évitant ainsi la décharge de la batterie. Suivez ces étapes pour utiliser toute fonction lorsque l'unité est en mode d'économie d'énergie :

1. Appuyez sur l'interrupteur d'alimentation pour activer l'unité.
2. Le témoin DEL vert **Ready/Fail** (Prêt/Échec) s'allume.
3. Le port USB et la fonction d'état de la batterie/lampe se désactiveront après 10 minutes.
4. Le témoin DEL **Ready/Fail** (Prêt/Échec) s'éteindra après 10 minutes.
5. Appuyez une fois sur le bouton **Battery Status/Light** (État de la batterie/lampe). L'unité peut maintenant vérifier l'état de la batterie et servir de démarreur d'appoint, de prise USB et de lampe de travail.

6. ENTRETIEN ET ENTREPOSAGE

- 6.1 Nettoyez les pinces et le coffret après chaque utilisation.
- 6.2 Charger la batterie à pleine capacité avant stockage.
- 6.3 Conservez cet appareil à des températures entre -10°C à 45 °C (14°F à 113°F).
- 6.4 Rangez les pinces sur leurs bornes de soutien pour être certain qu'elles ne touchent à aucune surface métallique.
- 6.5 Ne jamais décharger complètement la batterie.
- 6.6 Recharger après chaque utilisation.
- 6.7 Chargez au moins une fois tous chaque mois si elle n'est pas fréquemment utilisée, pour éviter une sur-décharge.

7. TABLEAU DE DÉPANNAGE

PROBLÈME	CAUSE POSSIBLE	SOLUTION
L'unité ne démarre pas ma voiture.	Pinces ne font pas une bonne connexion à la batterie.	Vérifiez mauvaise connexion à la batterie et le châssis. Assurez-vous que les points de connexion sont propres.
	Connexions sont inversées.	Débranchez et inversez les pinces.
	La batterie Interne n'est pas chargée.	Appuyez sur le bouton d'état de la batterie de l'appareil. Les voyants indiquent l'état de charge.
	La batterie du véhicule est défectueuse.	Faites vérifiez la batterie.
	Unité n'est pas en marche.	Appuyez sur l'interrupteur d'alimentation (ON/OFF) pour mettre le démarreur d'appoint sous tension.
Le démarreur d'appoint ne fonctionne pas.	Protection contre une température trop basse.	Utilisez l'adaptateur USB pour charger et activer l'unité.
La batterie interne ne garde pas la charge.	La batterie est défectueuse (n'accepte pas de charge).	Faites vérifiez la batterie.
Le compresseur s'arrête.	Le compresseur a une protection thermique intégrée qui éteindra le compresseur avant qu'il ne surchauffe.	Attendez quelques minutes et il redémarrera automatiquement lorsque le compresseur refroidira.

Comportement du témoin DEL Ready/Fail et Reversed (Prêt/Échec et Inversion de polarités)

DEL « Ready/Fail » (Prêt/Échec) allumée verte en permanence	Prêt pour le démarrage d'appoint
DEL « Ready/Fail » (Prêt/Échec) allumée rouge en permanence et l'avertisseur sonore retentissant en continu	Protection contre les courts-circuits
Aucun témoin DEL allumé, sans avertisseur sonore	Vie d'accumulateur expirée
Témoins DEL « Ready/Fail » (Prêt/Panne) et « Reversed » (Inversion de polarités) allumées rouge en permanence et l'avertisseur sonore retentissant en continu	Protection contre l'inversion de polarité
DEL « Ready/Fail » (Prêt/Échec) clignotant en rouge et avertisseur sonore retentissant une fois par seconde	Protection de l'unité contre la surchauffe

Comportement du témoin DEL d'état de batterie

Les témoins DEL rouge, jaune et vert clignotent simultanément.	Protection de l'unité contre la surchauffe
--	--

8. PIÈCES DE RECHANGE

Câble de charge micro USB-USB..... 3899003781Z

9. AVANT DE RETOURNER POUR LES RÉPARATIONS

Pour RÉPARATION OU RETOUR, visitez 365rma.com

Aller sur schumacherelectric.com pour les pièces de rechange.

10. GARANTIE LIMITÉE

Pour plus d'informations sur notre garantie limitée d'un an, veuillez visiter schumacherelectric.com ou appeler le 1-800-621-5485 pour demander une copie.

Aller sur schumacherelectric.com pour enregistrer votre produit en ligne.

