

**Jump Starter
and DC Power Source
Arrancador
y Fuente de Poder de CC
Bloc d'alimentation
et aide démarrage**

**OWNERS MANUAL / MANUAL DEL USUARIO /
MANUEL D'UTILISATION**

**FOR MODELS / PARA MODELOS / POUR LES MODÈLES
SJ1427
SJ1332**

PLEASE SAVE THIS OWNERS MANUAL AND READ BEFORE EACH USE. This manual will explain how to use the portable power safely and effectively. Please read and follow these instructions and precautions carefully.

POR FAVOR CONSERVE ESTE MANUAL DEL USUARIO Y LEALO ANTES DE CADA USO. En este manual le explica cómo utilizar la fuente de poder de manera segura y confiable. Por favor, lea y siga las siguientes instrucciones y precauciones.

ESSAYER DE GARDER LE MANUEL D'INSTRUCTIONS ET LE LIRE AVANT CHAQUE UTILISATION. Ce manuel explique comment utiliser l'unité d'une façon sûre et efficace. S'il vous plaît lisez et suivez ces instructions et précautions.

CONTENTS

IMPORTANT SAFETY INSTRUCTIONS	5
PERSONAL SAFETY PRECAUTIONS.....	6
FEATURES	6
CHARGING THE INTERNAL BATTERY OF THE JUMP STARTER.....	7
OPERATING INSTRUCTIONS	7
MAINTENANCE INSTRUCTIONS	11
MOVING AND STORAGE INSTRUCTIONS.....	11
TROUBLESHOOTING	11
REPLACEMENT PARTS.....	12
ACCESSORIES	12
BEFORE RETURNING FOR REPAIRS.....	12
LIMITED WARRANTY.....	12

CONTENIDOS

INSTRUCCIONES IMPORTANTES DE SEGURIDAD	13
PRECAUCIONES DE SEGURIDAD PERSONAL.....	14
CARACTERÍSTICAS	14
PARA CARGAR LA BATERIA INTERNA DEL ARRANCADOR.....	15
INSTRUCCIONES DE OPERACIÓN.....	15
INSTRUCCIONES DE MANTENIMIENTO	19
INSTRUCCIONES PARA EL MANEJO Y ALMACENAMIENTO	19
LOCALIZACIÓN Y SOLUCIÓN DE PROBLEMAS	19
REPUESTOS	20
ACCESORIOS	20
ANTES DE DEVOLVER A REPARACIONES.....	20
GARANTÍA LIMITADA.....	21

TABLE DES MATIÈRES

CONSIGNES DE SÉCURITÉ IMPORTANTES	22
MESURES DE SÉCURITÉ PERSONNELLE.....	23
CARACTÉRISTIQUES.....	23
CHARGEMENT DE LA BATTERIE INTERNE DE L'AIDE AU DÉMARRAGE	24
CONSIGNES D'UTILISATION	24
INSTRUCTIONS D'ENTRETIEN	28
INSTRUCTIONS DE STOCKAGE ET EMBLACEMENT	28
DÉPANNAGE.....	29
PIÈCES DE RECHANGE.....	29
ACCESSOIRES	29
AVANT DE RETOURNER POUR LES RÉPARATIONS.....	29
GARANTIE LIMITÉE.....	30

Jump Starter and DC Power Source

OWNERS MANUAL

FOR MODELS

SJ1427

SJ1332

PLEASE SAVE THIS OWNERS MANUAL AND READ BEFORE EACH USE.

This manual will explain how to use the jump starter safely and effectively. Please read and follow these instructions and precautions carefully.



**CONTAINS SEALED, NON-SPILLABLE LEAD-ACID BATTERY.
MUST BE DISPOSED OF PROPERLY.**

WARNING: Possible explosion hazard. Contact with battery acid may cause severe burns and blindness. Keep out of reach of children.

1. IMPORTANT SAFETY INSTRUCTIONS – SAVE THESE INSTRUCTIONS.

WARNING: RISK OF EXPLOSIVE GASES.

WORKING IN THE VICINITY OF A LEAD-ACID BATTERY IS DANGEROUS. BATTERIES GENERATE EXPLOSIVE GASES DURING NORMAL OPERATION. IT IS IMPORTANT THAT YOU FOLLOW THESE INSTRUCTIONS EACH TIME YOU USE THE UNIT.

To reduce the risk of battery explosion, follow these instructions and those published by the battery manufacturer and the manufacturer of any equipment you intend to use in the vicinity of a battery. Review cautionary markings on these products and on the engine.

WARNING! RISK OF ELECTRIC SHOCK OR FIRE.

- 1.1 Keep out of reach of children.
- 1.2 Do not disassemble the jump starter. Take it to a qualified service professional if service or repair is required. Incorrect assembly may result in fire or electrical shock.
- 1.3 Do not use the jump starter to jump a vehicle while charging the internal battery.
- 1.4 Do not recharge the jump starter with a damaged extension cord.
- 1.5 The jump starter gets hot during charging and must have proper ventilation.
- 1.6 Do not set the jump starter on flammable materials, such as carpeting, upholstery, paper, cardboard, etc.
- 1.7 Place the jump starter as far away from the battery being jumped as the cables will permit.
- 1.8 Do not expose the jump starter to rain or snow.
- 1.9 Never attempt to jump start a frozen battery.
- 1.10 Never place the jump starter directly above battery being jumped.
- 1.11 To prevent arcing, never allow the clamps to touch together or to contact the same piece of metal.
- 1.12 Use of an attachment not recommended or sold by the jump starter manufacturer may result in damage to the unit or personal injury.
- 1.13 Never operate the jump starter if it is damaged.
- 1.14 If someone else uses the jump starter, ensure they are well informed on how to use it safely, and have read and understood the operating instructions.
- 1.15 The jump starter is NOT designed to be installed as a replacement for a vehicle battery.
- 1.16 Use ONLY on vehicles, boats and garden tractors powered with a 12V DC battery system.
- 1.17 If the engine fails to start after the recommended number of attempts, disconnect the unit and look for other problems that may need to be corrected.
- 1.18 Use the jump starter for jump starting lead-acid batteries only. Do not use for dry cell batteries that are commonly used with home appliances.

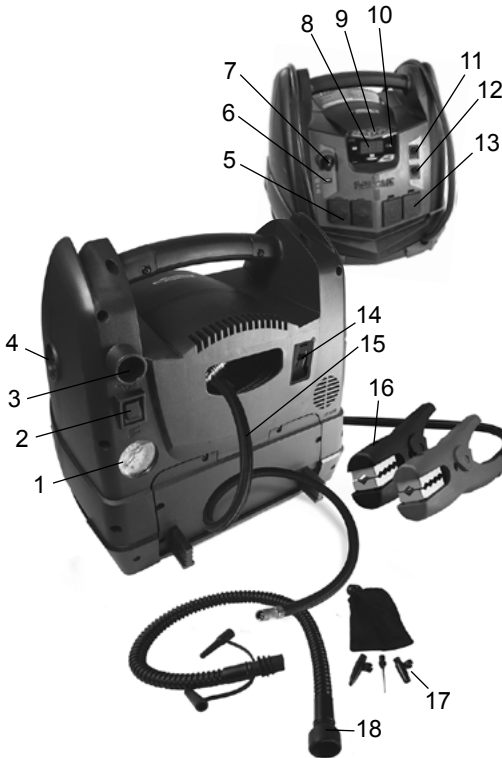
2. PERSONAL SAFETY PRECAUTIONS

2.1 Restrictions on Use:

The converter may not be used with life support devices or systems. Failure of this converter can reasonably be expected to cause failure of that life support device or system, or to affect the safety or effectiveness of that device or system.

- 2.2 Wear complete eye protection and protective clothing when working near lead-acid batteries. Always have someone nearby for help.
- 2.3 Have plenty of fresh water, soap and baking soda nearby for use, in case battery acid contacts your eyes, skin, or clothing. Wash immediately with soap and water and seek medical attention.
- 2.4 If battery acid comes in contact with eyes, flush eyes immediately for a minimum 10 minutes and get medical attention.
- 2.5 Neutralize any acid spills thoroughly with baking soda before attempting to clean up.
- 2.6 Remove all personal metal items from your body, such as rings, bracelets, necklaces and watches. A battery can produce a short circuit current high enough to weld a ring to metal, causing a severe burn.
- 2.7 Never smoke or allow a spark or flame in the vicinity of the battery or engine.

3. FEATURES



- 1. Compressor gauge
- 2. Compressor/inflator switch
- 3. Inflator port
- 4. Deflator port
- 5. 12 Volt DC outlets
- 6. USB port
- 7. Jump start/USB On/Off switch
- 8. Digital display
- 9. Built-in work light
- 10. Display button
- 11. Work light On/Off switch
- 12. Converter On/Off switch
- 13. 120 Volt AC outlets
- 14. Charger port
- 15. Compressor hose
- 16. Battery clamps
- 17. Adapters
- 18. Inflator hose

4. CHARGING THE INTERNAL BATTERY OF THE JUMP STARTER

IMPORTANT: CHARGE IMMEDIATELY AFTER PURCHASE, AFTER EACH USE AND EVERY 30 DAYS, TO KEEP THE UNIT'S INTERNAL BATTERY FULLY CHARGED AND PROLONG BATTERY LIFE.

4.1 CHECKING THE LEVEL OF THE INTERNAL BATTERY

Check the internal battery's charge level by pressing the Display Button. The Digital Display will show the battery's percent of charge. Charge the internal battery if the display shows it is under 100%.

NOTE: The internal battery's percent of charge is most accurate when the jump starter has been disconnected from all devices and charging sources for a few hours.

4.2 CHARGING THE INTERNAL BATTERY

Charge the internal battery of the jump starter using an extension cord (not included).

NOTE: Use of an improper extension cord could result in a risk of fire and electric shock.

1. Plug an extension cord into the charger port on the back of the jump starter.
2. Plug the extension cord into a 120VAC electrical wall outlet. While the jump starter is connected to an AC outlet, the green LED on the back of the unit will be on.
3. Monitor the progress of the charge by pressing the display button on the front of the unit. When the internal battery is fully charged, the display will show **100**. Complete charging may take up to 72 hours. The jump starter is then ready to use.
4. When fully charged, the charger will automatically go into maintain mode and maintain the battery at full charge without damaging it.
5. Charge the jump starter as soon as possible after use.

4.3 CHARGING THE INTERNAL BATTERY WHILE DRIVING

You may also charge the internal battery while driving, using a male-to-male charger cable (part number 94500109 – not included).

IMPORTANT: DO NOT CHARGE INTERNAL BATTERY FOR MORE THAN 30 MINUTES OR LEAVE THE BATTERY UNATTENDED. IT COULD EXPLODE, CAUSING PROPERTY DAMAGE OR PERSONAL INJURY.

1. Make sure the car is running.
2. Insert one end of the accessory cable into the 12V DC power outlet.
3. Insert the other end of the accessory cable into the vehicle's accessory outlet (lighter socket).

NOTE: The **GREEN** LED does not operate during this method of charging. Using this method to charge the battery overrides the maintain mode and the battery can be overcharged.

4. Monitor the progress of the charge by pressing the display button on the front of the unit. When the battery is fully charged, disconnect the accessory cable from the jump starter, then from the lighter socket of the vehicle.

NOTE: Completely disconnect the charger cable when the engine is not running.

5. OPERATING INSTRUCTIONS

5.1 JUMP STARTING A VEHICLE

IMPORTANT: Using the Jump Start feature without a battery installed in the vehicle will damage the vehicle's electrical system.

1. Turn the ignition OFF.
2. Lay the DC cables away from any fan blades, belts, pulleys and other moving parts.
3. For a negative-ground vehicle (as in most vehicles), connect the unit's POSITIVE (RED) clamp to the POSITIVE (POS, P, +) battery post. Next, connect the NEGATIVE (BLACK) clamp to the vehicle chassis or engine block, away from the battery.
4. For a positive-ground vehicle, connect the unit's NEGATIVE (BLACK) clamp to the NEGATIVE (NEG, N, -) battery post. Next, connect the POSITIVE (RED) clamp to the vehicle chassis or engine block away from the battery.
5. Turn the switch to the ON position.

NOTE: When connected to the vehicle, the display shows the vehicle's battery voltage. When connected and in the ON position, the display shows the equalized voltage between the vehicle's battery and internal battery.

6. Crank the engine for no more than 8 seconds. If the engine does not start, wait 2 minutes before cranking again.
7. After the engine starts, turn the switch to the OFF position and remove the jump starter from the battery.
8. Charge the unit.

5.2 USING THE USB PORT

The USB port provides up to 2A at 5V DC.

1. Ensure the battery clamps are securely clipped on the storage holders.
2. Turn the unit ON.
3. Plug your device into the USB port.
4. When finished using the USB port, turn the switch to the OFF position.
5. Charge the unit.

5.3 USING THE WORK LIGHT

The work light is controlled by a sliding ON/OFF switch located on the front of the unit.

- Make sure the lamp is turned OFF when the unit is being recharged or stored.
- Position the unit on a flat, stable surface near the intended work area.
- Ensure the battery clamps are securely clipped on the storage holders.

5.4 POWERING A 12V DC DEVICE

The unit is a power source for all 12V DC accessories that are equipped with a 12V accessory plug. Use it for power outages and on fishing or camping trips.

NOTE: Do not power a 12V device with the unit while charging the internal battery.

1. Make sure the device to be powered is OFF before inserting the 12V DC accessory plug into the 12V DC accessory outlet.
2. Open the protective cover of the DC power outlet on the unit.
3. Plug the 12V DC device into the DC power outlet and turn on the 12V DC device (if required).
4. When finished, turn off the DC device (if required) and unplug from the DC power outlet.

CAUTION: Do not use the unit to run appliances that draw more than 20A DC.

NOTE: Extended operation of a 12V DC device may result in excessive battery drain. Recharge the unit immediately after unplugging the 12V DC device.

5.5 USING THE AIR COMPRESSOR

NOTE: To prevent overheating, the compressor has built-in thermal protection that will turn the compressor off before it overheats. If the compressor shuts off, wait a few minutes and it will automatically restart when the compressor cools.

WARNING. Read the instructions of the product being inflated before using the compressor. Avoid overinflation; do not exceed the manufacturer's recommended pressures. Do not leave the air compressor unattended during use.

1. Remove the air compressor hose from the storage compartment.
2. Connect the adapter to the valve stem by threading it onto the end. If necessary, use one of the additional adaptors.
3. Turn ON the inflator power switch and inflate to the desired pressure or fullness.
4. When the desired pressure is reached, put the inflator power switch to OFF, open the thumb latch and remove the connector from the valve stem.
5. Allow unit to cool.
6. Recharge the unit before storing.

NOTE: The air compressor is rated for 150 PSI.

5.6 USING THE INFLATOR

WARNING: RISK OF EXPLOSION.

Read instructions of the product being inflated before using the inflator. Avoid overinflation, do not exceed the manufacturer's recommended pressures. Do not leave the inflator unattended during use.

1. Ensure the battery clips are securely on the storage holders.
2. Attach the corrugated hose with end adapter to the high-flow inflator outlet located near the Compressor/Inflator switch on the back of the unit.
3. The main accessory adapter attached to the corrugated hose accommodates up to 4 sizes. If another size is needed, an additional adapter can be attached to the end of the main accessory adapter.
4. Insert the adapter into the product to be inflated.
5. Push the Compressor/Inflator switch to the INFLATOR position and inflate the product.
6. When the product is inflated to the desired level, push the Compressor/Inflator switch to the OFF position and remove the adapter.

Estimated time for inflating

Vehicle tires 13-16"	6-24 minutes
Bike tires	1-3 minutes
Sports balls	30 seconds

These times are approximate. Use the air compressor gauge to ensure the proper pressure has been reached. Do not overinflate.

5.7 USING THE DEFLATOR

1. Ensure the battery clips are securely on the storage holders.
2. Attach the corrugated hose with the end adapter to the high-flow deflator outlet, which is located on the side of the unit.
3. The main accessory adapter attached to the corrugated hose accommodates up to 4 sizes. If another size is needed, an additional adapter can be attached to the end of the main accessory adapter.
4. Insert the adapter into the item to be deflated.
5. Push the Compressor/Inflator switch to the INFLATOR position and deflate the item.
6. When the product is deflated to the desired level, push the Compressor/Inflator switch to the OFF position and remove the adapter.

5.8 BEFORE USING THE CONVERTER

Important Safety Instructions:

1. Keep the unit well ventilated, in order to properly disperse heat generated while it is in use. Make sure there are several inches of clearance around the top and sides, and do not block the vents on the back of the unit.
2. Make sure the unit is not close to any potential source of flammable fumes or clothing.
3. Keep the unit dry.
4. DO NOT allow the unit to come into contact with rain or moisture.
5. DO NOT operate the unit if you, the unit, the device being operated or any other surfaces that may come in contact with any power source are wet. Water and many other liquids can conduct electricity, which may lead to serious injury or death.
6. Do not place the unit on or near heating vents, radiators or other sources of heat.
7. Do not place the unit in direct sunlight. The ideal air temperature for operation is between 50° and 80° F.
8. Do not use the converter near an open engine compartment where fumes may accumulate.
9. Do not modify the AC receptacles in any way.

5.9 USING THE CONVERTER

It is important to know the continuous wattage of the device you plan to use with the converter. The unit must be used with devices drawing 200 watts or less. If the wattage is not marked on the device, use only devices that draw less than 1.7 amps of AC current.

Devices like TVs, fans or electric motors require additional power to start (commonly known as the “starting” or “peak” power). The unit can supply a momentary surge in wattage; however even devices rated less than the maximum 200 watts can exceed the converter’s surge capability and cause an automatic overload shutdown.

Do not use the converter with a product that draws a higher wattage than the converter can provide, as this may cause damage to the converter and the product.

Make sure the device you are using is compatible with a modified sine wave converter.

CAUTION: Always run a test to establish whether the converter will operate a particular piece of equipment or device.

In the event of a power overload, the converter is designed to automatically shut down. This safety feature prevents damaging the converter while testing devices and equipment with the 200-watt range. If powering more than one device, start one device at a time to avoid a power surge and/or converter overload. The surge load of each device should not exceed the converter’s Continuous Operation wattage rate.

IMPORTANT: If you are using the power converter to operate any type of battery charger, monitor the temperature of the battery charger for about 10 minutes. If the battery charger becomes abnormally warm, disconnect it from the converter immediately.

You can use an extension cord from the converter to the device without significantly decreasing the power being generated by the converter. For best operating results, the extension cord should be 16 AWG (1.31 mm²) or larger and no longer than 50 feet.

IMPORTANT: This converter uses a modified sine waveform, which is not quite the same as power company electricity. For the following devices, we strongly recommend that you use caution and check the device’s manual to make sure it is compatible with modified sine waveform.

1. Switch mode power supplies
2. Linear power supplies
3. Class 2 transformers
4. Line filter capacitors
5. Shaded pole motors
6. Fan motors
7. Microwave ovens
8. Fluorescent and high-intensity lamps (with a ballast)
9. Transformerless battery chargers

Using the converter with any of these devices may cause the device to run warmer or overheat.

5.10 POWERING A 120V AC DEVICE

1. Ensure the battery clips are securely on the storage holders.
2. Open the protective cover of the AC power outlet on the front panel of the unit.
3. Make sure the 120V AC device to be operated is turned OFF.
4. Plug the 120V AC device into the AC power outlet, and turn the converter switch to the ON position.
NOTE: When the converter is turned on and being used, the display will show the total wattage used by the device being powered by the converter.
5. Turn the device on.
6. If the device does not operate properly when first connected to the converter, push the converter rocker switch ON, OFF, and ON again in quick succession. If this procedure is not successful, it is likely that the converter does not have the required capacity to operate the device intended.
7. Charge the unit as soon as possible after each use.

WARNING: RISK OF ELECTRIC SHOCK.

Incorrect operation of your converter may result in damage and personal injury. The converter output is 120V AC and can shock or electrocute the same as any ordinary household AC wall outlet.

NOTE: The maximum continuous load is 200 watts. Do not use the converter with a product that draws more than 200 watts, as this may cause damage to the converter and the product.

6. MAINTENANCE INSTRUCTIONS

- 6.1 After use and before performing maintenance, unplug and disconnect the jump starter.
- 6.2 Use a dry cloth to wipe all battery corrosion and other dirt or oil from the battery clips, cords and the jump starter case.
- 6.3 Ensure that all of the jump starter components are in place and in good working condition.
- 6.4 All servicing should be performed by qualified service personnel.

7. MOVING AND STORAGE INSTRUCTIONS

- 7.1 Store inside, in a cool, dry place.
- 7.2 Do not store the clips on the handle, clipped together, on or around metal, or clipped to cables. The clips on the jump starter are live when the switch is in the ON position and will produce arcing or sparking if they come in contact with each other. To prevent accidental arcing, always place the switch in the OFF position and keep the clips on the storage holders when not using it to jump start a vehicle.
- 7.3 If the jump starter is moved around the shop or transported to another location, take care to avoid/prevent damage to the cords, clips and jump starter. Failure to do so could result in personal injury or property damage.

IMPORTANT: Do not use and/or store the jump starter in or on any area or surface where damage could occur if the internal battery should unexpectedly leak acid.

7.4 IMPORTANT:

- **CHARGE IMMEDIATELY AFTER PURCHASE**
- **KEEP FULLY CHARGED**

Charge the jump starter's internal battery immediately after purchase, after every use and every 30 days.

All batteries are affected by temperature. The ideal storage temperature is at 70°F. The internal battery will gradually self-discharge (lose power) over time, especially in warm environments. Leaving the battery in a discharged state may result in permanent battery damage. To ensure satisfactory performance and avoid permanent damage, charge the internal battery every month.

8. TROUBLESHOOTING

PROBLEM	POSSIBLE CAUSE	SOLUTION
The unit won't jump start my car.	Jump Start/USB switch is not turned ON.	Turn ON the Jump Start/USB Switch.
	Clips are not making a good connection to the battery.	Check for poor connection to battery and frame. Make sure connection points are clean. Rock clamps back and forth for a better connection.
	The internal battery is not charged.	Check the battery charge status by pressing the button on the front of the unit. See <i>Checking the Level of the Internal Battery</i> .
The unit won't power my 12V device.	The vehicle's battery is defective.	Have the battery checked.
	The 12V device is not turned on.	Turn on the 12V device.
	The internal battery is not charged.	Check the battery charge status by pressing the button on the front of the unit. See <i>Checking the Level of the Internal Battery</i> .
The battery in the unit won't hold a charge.	The 12V device draws more than 20A, has a short circuit, or the internal fuse has blown.	Disconnect the 12V device. The internal 20A fuse needs replacement by a qualified service person.
	The battery is bad (will not accept a charge).	Have the battery checked.

9. REPLACEMENT PARTS

Air compressor accessory kit (3 hose adapters).....	2299001425Z
Inflator accessory kit: (inflator/deflator hose, unit end, 3 hose adapters)	0099000598Z

10. ACCESSORIES

Male-to-male accessory cable	94500109
------------------------------------	----------

11. BEFORE RETURNING FOR REPAIRS

For REPAIRS OR RETURNS, visit 365rma.com

Visit batterychargers.com for Replacement Parts.

12. LIMITED WARRANTY

Go to batterychargers.com to register your product online.

SCHUMACHER ELECTRIC CORPORATION, 801 BUSINESS CENTER DRIVE, MOUNT PROSPECT, IL 60056-2179, MAKES THIS LIMITED WARRANTY TO THE ORIGINAL RETAIL PURCHASER OF THIS PRODUCT. THIS LIMITED WARRANTY IS NOT TRANSFERABLE OR ASSIGNABLE.

Schumacher Electric Corporation (the "Manufacturer") warrants this jump starter for one (1) year and the internal battery for ninety (90) days from the date of purchase at retail against defective material or workmanship that may occur under normal use and care. If your unit is not free from defective material or workmanship, Manufacturer's obligation under this warranty is solely to repair or replace your product with a new or reconditioned unit at the option of the Manufacturer. It is the obligation of the purchaser to forward the unit, along with proof of purchase and mailing charges prepaid to the Manufacturer or its authorized representatives in order for repair or replacement to occur.

Manufacturer does not provide any warranty for any accessories used with this product that are not manufactured by Schumacher Electric Corporation and approved for use with this product. This Limited Warranty is void if the product is misused, subjected to careless handling, repaired, or modified by anyone other than Manufacturer or if this unit is resold through an unauthorized retailer.

Manufacturer makes no other warranties, including, but not limited to, express, implied or statutory warranties, including without limitation, any implied warranty of merchantability or implied warranty of fitness for a particular purpose. Further, Manufacturer shall not be liable for any incidental, special or consequential damage claims incurred by purchasers, users or others associated with this product, including, but not limited to, lost profits, revenues, anticipated sales, business opportunities, goodwill, business interruption and any other injury or damage. Any and all such warranties, other than the limited warranty included herein, are hereby expressly disclaimed and excluded. Some states do not allow the exclusion or limitation of incidental or consequential damages or length of implied warranty, so the above limitations or exclusions may not apply to you. This warranty gives you specific legal rights and it is possible you may have other rights which vary from this warranty.

THIS LIMITED WARRANTY IS THE ONLY EXPRESS LIMITED WARRANTY AND THE MANUFACTURER NEITHER ASSUMES OR AUTHORIZES ANYONE TO ASSUME OR MAKE ANY OTHER OBLIGATION TOWARDS THE PRODUCT OTHER THAN THIS WARRANTY.

Schumacher® is a registered trademark of Schumacher Electric Corporation.

Arrancador y Fuente de Poder de CC

MANUAL DEL USUARIO

PARA MODELOS
SJ1427
SJ1332

POR FAVOR CONSERVE ESTE MANUAL DEL USUARIO Y LEALO ANTES DE CADA USO. En este manual le explica cómo utilizar la fuente de poder de manera segura y confiable. Por favor, lea y siga las siguientes instrucciones y precauciones.



CONTIENE UNA BATERÍA SELLADA DE ÁCIDO-PLOMO NO DERRAMABLE QUE DEBE DESECHARSE APROPIADAMENTE.

ADVERTENCIA: Posible riesgo de una explosión. El contacto con una batería de ácido puede causar quemaduras y ceguera. Manténgase alejado de los niños.

1. INSTRUCCIONES IMPORTANTES DE SEGURIDAD – GUARDE ESTAS INSTRUCCIONES.

ADVERTENCIA: RIESGO DE GASES EXPLOSIVOS.

TRABAJAR CERCA DE UNA BATERÍA DE PLOMO-ÁCIDO ES PELIGROSO. LAS BATERÍAS GENERAN GASES EXPLOSIVOS DURANTE SU FUNCIONAMIENTO NORMAL. ES IMPORTANTE QUE SIGA LAS INSTRUCCIONES CADA VEZ QUE UTILICE LA UNIDAD.

Para disminuir el riesgo de explosión de la batería, siga estas instrucciones, al igual que las recomendaciones publicadas por el fabricante de la batería y de cualquier equipo que se utilizará cerca de la batería. Verifique las señales de advertencia que se hayan colocado en estos productos y en el motor.

ADVERTENCIA: EL RIESGO DE DESCARGA ELÉCTRICA O INCENDIO.

- 1.1 Manténgase alejado de los niños.
- 1.2 No desarme la unidad; hágalo revisar por una persona capacitada que efectúe reparaciones cuando necesite servicio de mantenimiento o una reparación. Volver a ensamblar la unidad en forma incorrecta puede provocar riesgo de incendio o descarga eléctrica.
- 1.3 No utilice la unidad para pasar corriente a un vehículo mientras se carga la batería interna.
- 1.4 No recargue la unidad con una extensión dañada.
- 1.5 La unidad se calienta durante la carga y debe tener una ventilación adecuada.
- 1.6 No coloque la unidad sobre materiales inflamables como alfombras, tapicería, papel, cartón, etc.
- 1.7 Coloque la unidad tan lejos de la batería que se está cargando como los cables lo permitan.
- 1.8 No exponga la unidad a la lluvia o la nieve.
- 1.9 Nunca intente arrancar una batería congelada.
- 1.10 Nunca coloque la unidad directamente sobre la batería que se está cargando.
- 1.11 Para evitar la formación de arcos eléctricos, nunca permita que las pinzas se toquen entre sí o estén en contacto con la misma pieza de metal.
- 1.12 El uso de un accesorio no recomendado ni vendido por el fabricante del arrancador puede ocasionar daños en la unidad o lesiones corporales.
- 1.13 Nunca opere la unidad si está dañado.
- 1.14 Si otra persona usa la unidad, asegúrese de que esté bien informada sobre cómo usarlo de manera segura y además, de que haya leído y comprendido las instrucciones de funcionamiento.
- 1.15 La unidad NO está diseñado para ser instalado como reemplazo de la batería del vehículo.
- 1.16 Utilícelo SOLO en vehículos, barcos y tractores de jardín alimentados con un sistema de batería de 12 V CC.
- 1.17 Si el motor no arranca luego de realizar el número recomendado de intentos, desconecte y verifique la unidad en busca de otros problemas.
- 1.18 Utilice la unidad para recargar baterías de plomo-ácido solamente. No lo utilice para cargar las baterías de celdas secas que habitualmente se colocan en los aparatos domésticos.

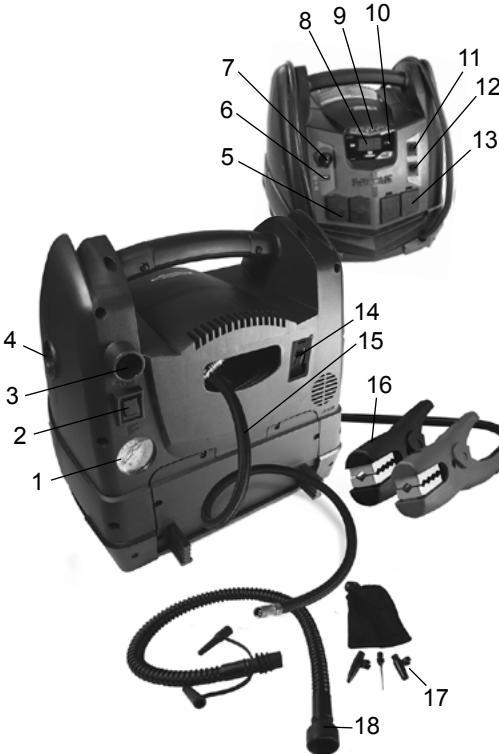
2. PRECAUCIONES DE SEGURIDAD PERSONAL

2.1 Restricciones de uso:

El convertidor no se puede utilizar con dispositivos o sistemas de soporte vital. El incumplimiento de este convertidor puede esperar razonablemente causar fallo de ese dispositivo de soporte de vida o sistema, o para afectar la seguridad o eficacia de ese dispositivo o sistema.

- 2.2 Use protección completa para los ojos y ropa protectora cuando trabaje cerca de baterías de plomo-ácido. Siempre cuente con la presencia de otra persona para obtener ayuda.
- 2.3 Tenga a la mano bastante agua fresca, jabón y bicarbonato de sodio en caso de que el ácido de la batería entre en contacto con los ojos, la piel o la ropa. Lave inmediatamente con agua y jabón y busque atención médica.
- 2.4 Si el ácido de la batería entra en contacto con los ojos, enjuague inmediatamente durante 10 minutos como mínimo y busque atención médica.
- 2.5 Neutralice el ácido derramado abundantemente con bicarbonato de sodio antes de intentar limpiarlo.
- 2.6 Retire todos los objetos metálicos de su cuerpo (anillos, pulseras, collares y relojes). Una batería puede producir una corriente de cortocircuito lo suficientemente alta como para soldar un anillo al metal, lo que ocasionaría una quemadura grave.
- 2.7 NUNCA fume o permita la presencia de chispas o llamas en la proximidad de una batería o motor.

3. CARACTERÍSTICAS



- 1. Medidor del compresor
- 2. Interruptor del compresor/inflador
- 3. Puerto para inflar
- 4. Puerto para desinflar
- 5. Salidas de corriente continua de 12 Volt
- 6. Puerto USB
- 7. Fuente de poder USB, con interruptor de apagado/encendido
- 8. Pantalla digital
- 9. Luz integrada para laborar
- 10. Botón de la pantalla
- 11. Interruptor de encendido/apagado de la luz para laborar
- 12. Interruptor de encendido/apagado del convertidor
- 13. Salidas de corriente alterna de 120 Volt
- 14. Puerto del cargador
- 15. Manguera del compresor
- 16. Pinzas para batería
- 17. Adaptadores
- 18. Manguera inflador

4. PARA CARGAR LA BATERÍA INTERNA DEL ARRANCADOR

IMPORTANTE: CARGUE LA UNIDAD INMEDIATAMENTE DESPUÉS DE ADQUIRIRLA, AL TÉRMINO DE CADA USO Y CADA 30 DÍAS PARA MANTENER LA BATERÍA INTERNA DE LA UNIDAD COMPLETAMENTE CARGADA Y PROLONGARÁ SU VIDA ÚTIL.

4.1 COMPROBACIÓN DEL NIVEL DE CARGA DE LA BATERÍA INTERNA

Compruebe el nivel de carga de la batería interna presionando el botón de la carátula. El indicador digital demostrará el porcentaje de carga. Cargue la batería interna si la carátula muestra carga por debajo del 100%.

NOTA: El porcentaje de carga de la batería interna es más confinable si la unidad ha sido desconectada de todos los accesorios y conexiones por unas horas.

4.2 LA CARGA DE LA BATERÍA INTERNA

Para cargar la batería interna de la unidad, utilice un cable de extensión (no incluido).

NOTA: Al utilizar una extensión inadecuada, se corre el riesgo de ocasionar un incendio o descargas eléctricas.

1. Conecte un cable de extensión en el puerto del cargador en la parte posterior de la unidad.
2. Conecte el cable de extensión en un tomacorriente eléctrico de 120 VCA. Mientras que la unidad está conectado a una toma de CA, la luz LED verde en la parte posterior de la unidad se mantendrá encendida.
3. Monitorear el progreso de la carga pulsando el botón de pantalla en la parte frontal de la unidad. Cuando la batería interna está completamente cargada, la pantalla mostrará **100**. Para una carga completa se puede tardar hasta 72 horas. Entonces, la unidad estará listo para usar.
4. Cuando está completamente cargada, el cargador se fijará automáticamente en modo de mantenimiento y mantendrá la batería a plena carga sin dañarla.
5. Cargue la unidad tan pronto como sea posible después de cada uso.

4.3 CÓMO CARGAR LA BATERÍA INTERNA CON EL VEHÍCULO EN MARCHA

También puede cargar la batería interna durante la conducción, utilizando un cable de carga de varón a varón (p/n 94500109 – no incluido).

IMPORTANTE: NO CARGAR LA BATERÍA INTERNA POR MÁS DE 30 MINUTOS, NI DEJAR LA BATERÍA SIN SUPERVISIÓN. PODRÍA EXPLOTAR Y OCASIONAR DAÑOS MATERIALES O LESIONES CORPORALES.

1. Asegúrese de que el vehículo esté en marcha.
2. Inserte un extremo del cable auxiliar en la toma de corriente de 12V CC.
3. Inserte el otro extremo del cable auxiliar en el enchufe auxiliar del vehículo (encendedor).

NOTA: La luz **LED VERDE** no opera durante este método de carga. Al utilizar este método para cargar la batería, se anula el modo de mantenimiento y la batería podría sobrecargarse.

4. Para supervisar el progreso de la carga, presione el botón de la pantalla en la parte frontal de la unidad. Cuando la batería esta completamente cargada, primero desconecte el cable auxiliar de la unidad y luego, de la toma del encendedor del vehículo.

NOTA: Desconectar completamente el cable del cargador cuando el motor no está funcionando.

5. INSTRUCCIONES DE OPERACIÓN

5.1 DE ARRANCAR UN VEHÍCULO

IMPORTANTE: Utilización de la función arranque del motor sin una batería instalada en el vehículo dañará el sistema eléctrico del vehículo.

1. APAGUE el motor.
2. Ponga los cables de CD lejos de las aspas del ventilador, bandas, poleas u otras partes móviles.
3. En los vehículos con carga negativa a tierra (como en la mayoría de los vehículos), conecte la pinza con el polo POSITIVO (ROJO) de la unidad al borne POSITIVO (POS, P, +) de la batería. A continuación, conecte la pinza con el polo NEGATIVO (NEGRO) al chasis del vehículo o al bloque del motor, lejos de la batería.
4. En los vehículos con carga positiva a tierra, conecte la pinza con el polo NEGATIVO (NEGRO) de la unidad al borne NEGATIVO (NEG, N, -) de la batería. A continuación, conecte la pinza con el polo POSITIVO (ROJO) al chasis del vehículo o al bloque del motor, lejos de la batería.
5. Coloque el interruptor en la posición de Encendido (ON).

NOTA: Cuando está conectada al vehículo, mostrará el voltaje de la batería del vehículo. Cuando está conectada y en la posición encendido, exhibirá el voltaje igualado entre la batería del vehículo y la batería interna.

6. Accione el encendido del motor durante no más de 8 segundos. Si el motor no enciende, espere 2 minutos antes de arrancar de nuevo.
7. Una vez que haya arrancado el motor, coloque el interruptor en la posición de Apagado (OFF) y retire la unidad de la batería.
8. Cargue la unidad.

5.2 EL USO DE PUERTO USB

El puerto USB provee poco más de 2A por 5V de CD.

1. Asegúrese que las pinzas estén fijas en el compartimiento.
2. Encienda la unidad (ON).
3. Conecte su aparato en el puerto USB.
4. Cuando termine de usar el puerto USB, coloque el interruptor en la posición de Apagado (OFF).
5. Cargue la unidad.

5.3 CÓMO UTILIZAR LA LUZ DE TRABAJO

La luz de trabajo se controla mediante un interruptor deslizante de Encendido/Apagado (ON/OFF) situado en la parte frontal de la unidad.

- Asegúrese de que la lámpara esté apagada (OFF) cuando la unidad se esté recargando o permanezca almacenada.
- Coloque la unidad sobre una superficie plana cerca del área de trabajo.
- Asegúrese que las pinzas estén fijas en el compartimiento.

5.4 PARA HACER FUNCIONAR UN APARATO DE 12V DE CD:

La unidad es una fuente de poder para cualquier accesorio de 12V de corriente directa que estén equipados con enchufe de 12V. Utilícelo durante apagones, pesca o días de campo.

NOTA: no encienda un dispositivo de 12V mientras se esté cargando la batería interna de la unidad.

1. Asegúrese de que el dispositivo que desea cargar esté apagado (OFF) antes de insertar el enchufe auxiliar de 12V CC en la toma auxiliar de 12V CC.
2. Abra la tapa protectora de la toma de alimentación de CC de la unidad.
3. Conecte el dispositivo de 12V CC a la toma de alimentación de CC y enciéndalo (si es necesario).
4. Cuando haya terminado de cargarse, apague el dispositivo de CC (si es necesario) y desenchúfelo de la toma de alimentación de CC.

PRECAUCIÓN: no utilice la unidad en aparatos que consuman más de 20A de CC.

NOTA: si hace funcionar un dispositivo de 12 V CC durante mucho tiempo con la unidad, la batería se agotará por completo. Recargue la unidad inmediatamente después de desconectar los dispositivos de 12V CC.

5.5 USO DEL COMPRESOR DE AIRE

NOTA: Para evitar el sobrecalentamiento, el compresor tiene protección térmica incorporada que apagará el compresor antes de que se sobrecaliente. Si el compresor se apaga, espere unos minutos y se reiniciará automáticamente cuando el compresor se enfríe.

ADVERTENCIA. Antes de usar el compresor, lea las instrucciones del objeto a inflar. Evite sobre inflar, no exceda la presión de aire recomendado por el fabricante. Durante el uso, no desatienda el compresor.

1. Retire la manguera del compresor de aire desde el compartimiento de almacenamiento.
2. Conecte el adaptador al vástago de la válvula por roscado sobre el extremo. Si es necesario, utilice uno de los adaptadores adicionales.
3. Encienda el interruptor del compresor y comience a inflar a la presión deseada o lleno total.
4. Cuando alcance la presión deseada, apague el interruptor del compresor fijándolo en la posición OFF (apagado), abra el fijador y retire el conector del pivote de la válvula.
5. Deje que la unidad se enfríe.
6. Cargue la unidad nuevamente antes de guardarla.

NOTE: El compresor de aire tiene una capacidad de Máxima 150 PSI.

5.6 USO DEL INFLADOR

RIESGO DE EXPLOSIÓN.

Lea las instrucciones del producto que va a ser inflado antes de usar el inflador. Evite sobre inflar, que el aire no exceda lo recomendado por el productor. Nunca deje el compresor de aire sin atender mientras lo usa.

1. Asegúrese que las pinzas estén fijas en el compartimiento.
2. Fije la manguera corrugada con el adaptador de la salida del inflador de alto-flujo colocada cerca del inflador en la parte de atrás de la unidad.
3. El adaptador principal para la manguera corrugada adjunto puede adaptarse a 4 diferentes medidas. En caso de necesitar otra medida diferente de adaptador se puede conectar al final del adaptador principal.
4. Inserte el adaptador en el producto que va a ser inflado.
5. Presione el selector del compresor/inflador a la posición INFLATOR (inflador) y comience a inflar.
6. Cuando el artículo es inflado al nivel deseado, presione el selector a la posición OFF (apagado) y quite el adaptador.

Tiempo estimado para inflar

Neumáticos para vehículos de 13 a 16"	6 a 24 minutos
Llantas para bicicleta	1 a 3 minutos
Balones deportivos	30 segundos

Estos valores son aproximados. Utilice el medidor del compresor de aire para asegurarse de que se ha alcanzado el nivel de presión adecuado. No infle en exceso.

5.7 USO DEL DESINFLADOR

1. Asegúrese que las pinzas estén fijas en el compartimiento.
2. Fije la manguera corrugada con la punta del adaptador de la salida del desinflador de alto-flujo colocada justamente en el lado de la unidad.
3. El adaptador principal fijado a la manguera corrugada puede adaptarse a 4 diferentes medidas. En caso de necesitar otra medida diferente de adaptador se puede conectar al final del adaptador principal.
4. Inserte el adaptador en el producto que va a ser desinflado.
5. Presione el selector del compresor/inflador a la posición INFLATOR (inflador) y desinfla el producto.
6. Cuando el artículo sea desinflado al nivel deseado, presione el selector a la posición OFF (apagado) y quite el adaptador.

5.8 ANTES DE USAR EL CONVERTIDOR

Instrucciones importantes de seguridad:

1. Mantenga la unidad bien ventilada para que disperse el calor generado mientras se usa. Asegúrese de que haya suficiente espacio alrededor y hacia arriba para que los ventiladores de la unidad no tengan obstrucción.
2. También verifique que no exista fuego o ropa alrededor de la unidad.
3. Mantenga la unidad en lugar seco.
4. NO permita que la unidad entre en contacto con lluvia o humedad.
5. NO opere la unidad si la superficie donde está montada o cualquier otra superficie se encuentra mojada. El agua o cualquier otro líquido conducen electricidad, y esto podría conducir a provocar serios daños y hasta la muerte.
6. No coloque la unidad cerca de calentadores, radiadores u otra fuente de calor.
7. Tampoco exponga la unidad a los rayos directos del sol. Las temperaturas ideales para la operación de la unidad oscila entre los 50° y 80°F.
8. No use el convertidor cerca del compartimiento del motor donde gases o humos se acumulan.
9. De ningún modo modifique las salidas de Corriente Alterna CA.

5.9 USO DEL CONVERTIDOR

Es de suma importancia saber la carga continua en vatios del aparato que desea usar con el convertidor. La unidad debe ser usada con aparatos que operados en 200 vatios o menos. Si los vatios no están marcados en el aparato use sólo aparatos que usen menos de 1,7 amperes de Corriente Alterna CA. Aparatos como televisiones, ventiladores o motores eléctricos requieren energía adicional para encender (comúnmente conocido como arranque o máxima energía). La unidad podría suplementar u operar en

vatios; de cualquier forma aún los aparatos clasificados por debajo de los 200 vatios pueden exceder de la capacidad del convertidor y lo apaga automáticamente por sobrecarga.

No use el convertidor con un producto que absorbe más vatios de los que el convertidor puede proveer, esto podría dañar el convertidor y el producto.

Asegúrese que el aparato que sea usado sea compatible con las ondas senoidales del convertidor.

ATENCIÓN: Realice siempre una prueba para asegurar que el convertidor opere un equipo o un aparato.

En caso de sobre carga, el mismo convertidor está diseñado para apagarse automáticamente. Este rasgo de seguridad previene daño alguno al convertidor mientras se pone a prueba el aparato a un promedio de 200 vatios.

Si se requiere operar dos aparatos, hágase la operación de uno por uno, para evitar sobrecarga al convertidor y perder energía. La absorción de cada uno de los aparatos no debe exceder la capacidad de salida de vatios en una Operación Continua.

IMPORTANTE: Si usted esta usando el convertidor de energía para operar cualquier tipo de cargador de batería, monitoree la temperatura del cargador de baterías por aproximadamente 10 minutos. Si el cargador de baterías se pone anormalmente caliente, desconéctelo del convertidor inmediatamente.

Usted puede utilizar una extensión del convertidor al aparato sin disminuir la carga generada por el convertidor. Para mejores resultados de operación, el cable de extensión debe ser de 16 AWG (1,31 mm²) o de más intensidad pero, que no exceda de 50 pies (15 metros).

IMPORTANTE: Este convertidor utiliza una forma de onda sinusoidal modificada, que no es exactamente lo mismo que la electricidad de la compañía de energía eléctrica. Para los siguientes dispositivos, le recomendamos factiblemente que tenga cuidado y revise el manual del dispositivo para asegurarse de que es compatible con la forma de onda modificada:

1. Fuentes de energía de forma conmutada
2. Fuentes de energía lineal
3. Transformadores clase 2
4. Condensadores de capacidad
5. Motores ligeros
6. Motores de ventilador
7. Hornos de microondas
8. Lámparas fluorescentes y de alta intensidad (con balastra)
9. Cargadores de baterías sin transformador

Uso del convertidor con cualquiera de estos dispositivos puede hacer que el dispositivo funcione más caliente o sobrecalentamiento.

5.10 OPERANDO CON UN APARATO DE 120V DE CORRIENTE ALTERNA

1. Asegúrese que las pinzas estén fijas en el compartimiento.
2. Primeramente, abrir la cubierta de salida de corriente CA en el panel del frente de la unidad.
3. Asegúrese de que el aparato de 120V a ser operado este APAGADO (OFF).
4. Conecte el aparato de 120V en la salida de corriente CA, y gire el interruptor del convertidor a la posición ENCENDIDO. **NOTA:** Cuando el convertidor se enciende, entonces mostrará el voltaje total usado por el aparato que operado por el convertidor.
5. Enciende el aparato de 120V.
6. Si el aparato no funciona adecuadamente al momento de conectarlo al convertidor, presione el botón ON, OFF, y ON una y otra vez consecutivamente. Si este proceso no tiene éxito, quiere decir que el convertidor no tiene la capacidad requerida para operar el aparato deseado.
7. Cargue la unidad tan pronto sea posible después de cada uso.

ADVERTENCIA: RIESGO DE DESCARGA ELÉCTRICA.

Una operación incorrecta de su convertidor podría resultar en daños y lesiones personales. La salida del convertidor es de 110V de CA y podría electrocutar o dañar de la misma forma que un tomacorriente doméstico de pared.

NOTA: La cantidad máxima de carga es de 200 vatios. No use el convertidor con un producto que absorba más de 200 vatios, porque podría causar daño al convertidor y al producto.

6. INSTRUCCIONES DE MANTENIMIENTO

- 6.1 Después de usar y antes de realizar mantenimiento, desenchufe y desconecte la unidad (ver secciones 3 y 4).
- 6.2 Utilice un paño seco para limpiar la corrosión de toda la batería y otra suciedad o aceite de los terminales, cables y carcasa de la unidad.
- 6.3 Asegúrese de que todas las piezas de la unidad estén bien instaladas y en buenas condiciones para su función.
- 6.4 Cualquier servicio debe realizarse por personal calificado en el ramo.

7. INSTRUCCIONES PARA EL MANEJO Y ALMACENAMIENTO

- 7.1 Almacene en el interior, en un lugar fresco y seco.
- 7.2 No guarde las pinzas en asas, enganchados entre sí, en o cerca de metales o enganchados en cables. Las pinzas en la unidad están energizadas. Cuando el interruptor se encuentra en la posición ON y producen arco o chispas si hacen contacto entre sí. Para evitar arco accidental, siempre mantenga las pinzas en los soportes de almacenaje y el interruptor en la posición OFF cuando el arrancador no se está usando para arranque inmediato de un vehículo.
- 7.3 Si la unidad se mueve alrededor del taller o se transporta a otra localidad, trate de evitar/prevenir daño a los cables, pinzas y al arrancador. El ignorar estas recomendaciones, podría llegar a causarle daños personales o de inmueble.

IMPORTANTE: No use o almacene la unidad, bajo ninguna circunstancia, en áreas donde puede causar daño alguno en caso de que la batería derrame ácido.

7.4 IMPORTANTE:

- **CARGUE INMEDIATAMENTE DESPUÉS DE CADA USO.**
- **MANTENGA LA UNIDAD COMPLETAMENTE CARGADA.**

Cargue la fuente de poder inmediatamente después de comprarla, después de cada uso y cada 30 días. La temperatura afecta a todas las baterías. La temperatura ideal de almacenaje es a los 70 grados Fahrenheit. La batería interna se va descargando (pierde potencia) con el pasar del tiempo, especialmente en los ambientes cálidos. Si se deja la batería en estado de descarga, puede sufrir daños permanentes. Para asegurar el rendimiento satisfactorio y evitar daños permanentes, cargue la batería interna mensualmente.

8. LOCALIZACIÓN Y SOLUCIÓN DE PROBLEMAS

PROBLEMA	CAUSA POSIBLE	SOLUCIÓN
La unidad no arranca mi auto.	El Interruptor del arrancador/USB no esta ENCENDIDO.	Encienda el interruptor del arrancador/USB.
	Las pinzas no hacen buena conexión a la batería.	Asegúrese de que existe buena conexión a la batería y la carrocería. También que los puntos de las conexiones estén limpios. Gire las pinzas para una conexión efectiva.
	La batería interna no está cargada.	Compruebe el estado de carga de la batería presionando el botón en la unidad. Vea la sección de <i>Comprobación del Nivel de Carga de la Batería Intern</i> de este manual.
	La batería del vehículo esta defectuosa.	Haga un chequeo de la batería.

PROBLEMA	CAUSA POSIBLE	SOLUCIÓN
La unidad no pone a funcionar mi aparato de 12V.	El aparato de 12V no enciende.	Allumez le 12V la machine. Encienda el aparato de 12V.
	La batería interna no está cargada.	Compruebe el estado de carga de la batería presionando el botón en la unidad. Vea la sección <i>Comprobación del Nivel de Carga de la Batería Interna</i> de este manual.
	El aparato de 12V absorbe más de 20A, tiene un corto circuito, o el fusible interno se ha dañado.	Desconecte el aparato de 12V. El fusible interno de 20A necesita ser reemplazado por un técnico calificado.
La batería de la unidad no retiene la carga.	La batería está en malas condiciones (No recibirá carga).	Haga un chequeo de la batería.

9. REPUESTOS

Juego de accesorios del compresor de aire (3 adaptadores de manguera) 2299001425Z

Juego de accesorios del inflador: (Manguera para inflador/desinflador al extremo de la unidad y 3 adaptadores para la manguera) 0099000598Z

10. ACCESORIOS

Cable accesorio macho a macho94500109

11. ANTES DE DEVOLVER A REPARACIONES

Para REPARACIONES O DEVOLUCIONES, visite 365rma.com

Visite batterychargers.com para obtener piezas de repuesto.

12. GARANTÍA LIMITADA

Visite nuestra página en batterychargers.com para registrar su producto en línea.

SCHUMACHER ELECTRIC CORPORATION, 801 BUSINESS CENTER DRIVE, MOUNT PROSPECT, IL 60056-2179, REALIZA LA PRESENTE GARANTÍA LIMITADA AL COMPRADOR MINORISTA ORIGINAL DE ESTE PRODUCTO. LA PRESENTE GARANTÍA LIMITADA NO PUEDE TRANSFERIRSE NI CEDERSE.

Schumacher Electric Corporation (el "Fabricante") otorga garantía por esta unidad por un (1) año y la batería interna por noventa (90) días contados a partir de la fecha de compra, contra cualquier material defectuoso o de mano de obra de la unidad que pudieran surgir durante su uso y bajo cuidado normal. Si su unidad cuenta con material defectuoso o defectos de mano de obra, la obligación de los Fabricantes, conforme a la presente garantía, será simplemente reparar o sustituir el producto por uno nuevo o por una unidad reparada, a elección del fabricante. Es la obligación del comprador enviar la unidad con comprobante de compra y los gastos de envío prepagos al Fabricante o a sus representantes autorizados para que estos reparen o reemplacen el producto.

El Fabricante no presta garantía por los accesorios utilizados con este producto que no sean los fabricados por Schumacher Electric Corporation y que no estén aprobados para su uso con este producto. La presente Garantía Limitada será nula si el producto se utiliza en forma errónea, se trata de manera inadecuada, es reparado o modificado por personas que no sean el Fabricante o si esta unidad es revendida a través de un vendedor minorista no autorizado.

El Fabricante no realiza ninguna otra garantía, incluidas, a título enunciativo, las garantías expresas, implícitas o legales, incluidas, a modo de ejemplo, las garantías implícitas de comerciabilidad o adecuación a un fin específico. Asimismo, el Fabricante no será responsable ante reclamos por daños accidentales, especiales ni directos en los que incurran los compradores, usuarios u otras personas asociadas al producto, incluidas, a título enunciativo, los ingresos y ganancias no percibidas, ventas anticipadas, oportunidades comerciales, el buen nombre, la interrupción de la actividad comercial o cualquier otro daño que haya provocado. Todas las garantías, excepto la garantía limitada incluida en el presente, por medio de la presente, quedan expresamente anuladas y excluidas. Algunos estados no permiten la exclusión ni la limitación de los daños accidentales ni directos o el plazo de garantía implícita, por lo que las limitaciones o exclusiones mencionadas anteriormente podrían no corresponder con su caso. La presente garantía le otorga derechos legales específicos y es probable que usted cuente con otros derechos que podrían diferir de los incluidos en la presente garantía.

LA PRESENTE GARANTÍA LIMITADA ES LA ÚNICA GARANTÍA LIMITADA EXPRESA Y EL FABRICANTE NO ASUME NI AUTORIZA A NADIE A ASUMIR O A ADQUIRIR NINGUNA OTRA OBLIGACIÓN RESPECTO DEL PRODUCTO QUE NO SEA LA PRESENTE GARANTÍA.

Schumacher® es una marca registrada de Schumacher Electric Corporation.

Bloc d'alimentation et aide démarrage

MANUEL D'UTILISATION

POUR LES
MODÈLES
SJ1427
SJ1332

ESSAYER DE Garder le Manuel d'Instructions et le lire avant chaque utilisation. Ce manuel explique comment utiliser l'unité d'une façon sûre et efficace. S'il vous plaît lisez et suivez ces instructions et précautions.



CONTIENT UNE BATTERIE À L'ACIDE QUI DOIT ÊTRE DISPOSÉ CORRECTEMENT.

AVERTISSEMENT: Hasard d'explosion possible. Contact avec l'acide de batterie peut provoquer sévère brûle et la cécité. Ne le laissez pas à la portée des enfants.

1. CONSIGNES DE SÉCURITÉ IMPORTANTES – CONSERVER CES INSTRUCTIONS.

AVERTISSEMENT : RISQUE DE GAZ EXPLOSIFS.

TRAVAILLER À PROXIMITÉ D'UNE BATTERIE AU PLOMB EST DANGEREUX. LES BATTERIES PRODUISENT DES GAZ EXPLOSIFS EN MARCHÉ NORMALE. POUR CETTE RAISON, IL EST IMPORTANT QUE VOUS SUIVIEZ LES INSTRUCTIONS CHAQUE FOIS QUE VOUS UTILISEZ L'UNITÉ.

Pour réduire les risques d'explosion de la batterie, suivez ces instructions et celles publiées par le fabricant de la batterie et le fabricant de tout équipement que vous avez l'intention d'utiliser à proximité de la batterie. Examinez les marquages sur ces produits et sur le moteur.

AVERTISSEMENT : RISQUE DE CHOC ÉLECTRIQUE OU D'INCENDIE.

- 1.1 Ne pas laisser à la portée des enfants.
- 1.2 Ne démontez pas l'unité. Prenez-la à une personne qualifiée si une réparation est nécessaire. Un montage incorrect peut provoquer un incendie ou un choc électrique.
- 1.3 Ne pas utiliser l'unité pour démarrer un véhicule pendant le chargement de la batterie interne.
- 1.4 Ne pas recharger l'unité avec une rallonge endommagée.
- 1.5 L'unité devient chaude pendant la charge et doit avoir une ventilation adéquate.
- 1.6 Ne mettez pas l'unité sur des matériaux inflammables, tels que les tapis, tissus d'ameublement, papier, carton, etc..
- 1.7 Placez l'unité loin de la batterie qui va être utilisé étant que les câbles le permettent.
- 1.8 Ne pas exposer l'unité à la pluie ou la neige.
- 1.9 Ne jamais essayer de démarrer une batterie gelée.
- 1.10 Ne placez jamais l'unité directement au-dessus de la batterie qui va être utilisé.
- 1.11 Pour éviter un arc électrique, ne jamais laisser les pinces se toucher entre eux ou mis avec le même morceau de métal.
- 1.12 L'utilisation d'un accessoire non recommandé ou vendu par le fabricant peut entraîner des dommages à l'appareil ou des blessures corporelle.
- 1.13 Ne jamais utiliser l'unité si elle est endommagée.
- 1.14 Si quelqu'un d'autre utilise l'unité, assurez-vous qu'ils sont bien informés sur la façon de l'utiliser en toute sécurité, et avoir lu et compris les instructions de fonctionnement.
- 1.15 L'unité n'est pas conçue pour être installée comme un remplacement de la batterie du véhicule.
- 1.16 Utiliser SEULEMENT sur les véhicules, les bateaux et les tracteurs de jardin alimentés par un système de batterie de 12V DC.
- 1.17 Si le moteur ne démarre pas après le nombre de tentatives recommandé, débranchez l'unité et chercher d'autres problèmes qui peuvent avoir besoin d'être corrigée.
- 1.18 Utilisez l'unité pour le démarrage des batteries au plomb acide SEULEMENT. Ne pas utiliser pour des batteries sèches qui sont couramment utilisés dans les appareils ménagers.

2. MESURES DE SÉCURITÉ PERSONNELLE

2.1 Restrictions d'utilisation :

Le convertisseur ne peut pas être utilisé avec des dispositifs ou des systèmes médicaux. Le convertisseur peut s'arrêter de fonctionner ce qui va affecter la sécurité ou l'efficacité du système médical.

2.2 Porter des lunettes et des vêtements de protection lorsque vous travaillez à proximité des batteries au plomb. Toujours avoir quelqu'un à proximité pour vous aider.

2.3 Avoir beaucoup d'eau fraîche, du savon et du bicarbonate de soude pour une utilisation à proximité, en cas si l'acide touche vos yeux, la peau ou les vêtements. Laver immédiatement avec du savon et de l'eau et consulter un médecin.

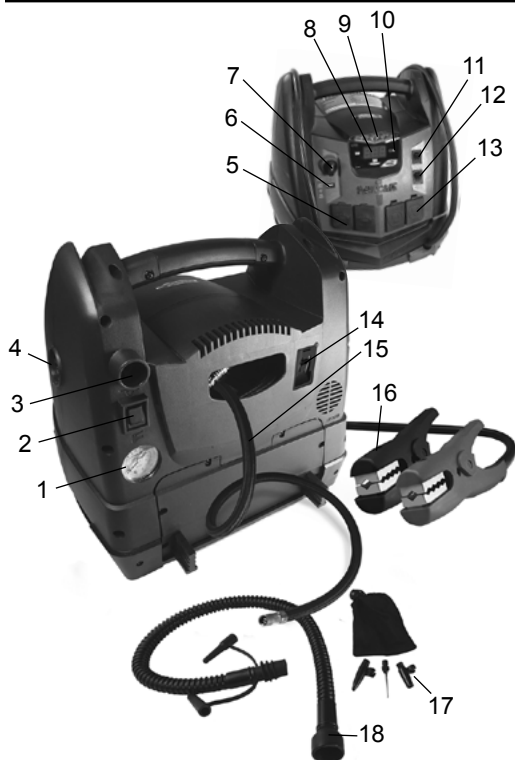
2.4 Si l'acide de la batterie entre en contact avec les yeux, rincer les yeux immédiatement pendant 10 minutes et consulter un médecin.

2.5 Neutraliser l'acide avec du bicarbonate de soude avant d'essayer de nettoyer.

2.6 Retirez tous les objets personnels en métal de votre corps, tels que des bagues, bracelets, colliers et montres. Une batterie peut produire un court-circuit suffisamment élevé pour souder une bague de métal, causant de graves brûlures.

2.7 Jamais fumer ou laisser une étincelle ou d'une flamme à proximité de la batterie ou du moteur.

3. CARACTÉRISTIQUES



1. Jauge du compresseur
2. Interrupteur compresseur / gonfleur
3. Gonflage du port
4. Port déflateur
5. Sortie 12V CC
6. Port USB
7. Démarrage / interrupteur USB Marche / Arrêt
8. Affichage numérique
9. Lampe de travail
10. Bouton d'affichage
11. Lampe de travail Marche / Arrêt
12. Interrupteur du convertisseur Marche / Arrêt
13. Prise de 120 volts
14. Port de chargeur
15. Tuyau du compresseur
16. Pincettes de batterie
17. Adaptateurs
18. Tuyau de gonflage

4. CHARGEMENT DE LA BATTERIE INTERNE DE L'AIDE AU DÉMARRAGE

IMPORTANT : CHARGE IMMÉDIATEMENT APRÈS L'ACHAT, APRÈS CHAQUE UTILISATION ET TOUS LES 30 JOURS, POUR GARDER LA BATTERIE INTERNE DE L'UNITÉ ENTIÈREMENT CHARGÉE ET PROLONGERA LA VIE DE BATTERIE.

4.1 CONTRÔLE DU NIVEAU DE BATTERIE INTERNE

Vérifier le niveau de charge de la batterie interne en appuyant sur le bouton d'affichage. L'affichage numérique indique pourcentage de la charge de la batterie.

Chargez la batterie interne si l'affichage montre qu'il est inférieur à 100%.

REMARQUE : Le pourcentage de charge de la batterie interne est plus précise lorsque l'unité a été déconnecté de tous les dispositifs et les sources de recharge pendant quelques heures.

4.2 CHARGE DE LA BATTERIE INTERNE

Chargez la batterie interne de l'unité utilisant une rallonge (non inclus).

REMARQUE : L'utilisation d'une rallonge inadéquate peut entraîner un risque d'incendie et d'électrocution.

1. Branchez une rallonge dans la prise du chargeur en arrière de l'unité.
2. Branchez la rallonge dans une prise électrique murale 120V AC. Quand l'unité est connecté à une prise de CA, la LED verte au verso de l'appareil est allumé.
3. Surveillez la progression de la charge en appuyant sur le bouton d'affichage sur la face avant de l'appareil. Lorsque la batterie interne est complètement chargée, l'écran affiche **100**. Recharge complète peut prendre jusqu'à 72 heures. L'unité est alors prête à utiliser.
4. Lorsqu'elle est complètement chargée, le chargeur passe automatiquement en mode maintien et de maintenir la batterie à pleine charge sans l'endommager.
5. Rechargez l'unité dès que possible après l'avoir utilisé.

4.3 CHARGE DE LA BATTERIE INTERNE PENDANT LA CONDUITE

Vous pouvez également charger la batterie interne pendant la conduite, en utilisant un câble de chargement mâle-mâle (Numéro 94500109 – non inclus).

IMPORTANT : NE PAS RECHARGER LA BATTERIE INTERNE DE PLUS DE 30 MINUTES OU LAISSER LA BATTERIE SANS SURVEILLANCE. IL POURRAIT EXPLOSER ET PROVOQUER DES DOMMAGES MATÉRIELS ET DES BLESSURES.

1. Assurez-vous que la voiture est en marche.
2. Insérez une extrémité du câble dans la prise 12V.
3. Insérez l'autre extrémité du câble dans la prise accessoire du véhicule (allume-cigare).

REMARQUE : Le voyant **VERT** ne fonctionne pas pendant ce mode de fonctionnement. En utilisant cette méthode pour charger la batterie la batterie peut être surchargée.

4. Surveillez la progression de la charge en appuyant sur le bouton d'affichage de l'appareil. Lorsque la batterie est complètement chargée, débranchez le câble à partir de l'allume-cigare du véhicule.

REMARQUE : Débranchez complètement le cordon du chargeur lorsque le moteur n'est pas en marche.

5. CONSIGNES D'UTILISATION

5.1 DÉMARRAGE D'UN VÉHICULE

IMPORTANT : Utilisation de la fonction de démarrage du moteur sans batterie installée dans le véhicule sera causer des dommages au système électrique du véhicule.

1. Assurez que le contact est coupé.
2. Disposez les câbles CC loin de toutes pales de ventilateur, courroies, poulies et autres pièces mobiles.
3. Pour un véhicule à masse négative (comme dans la plupart des véhicules), connectez POSITIF l'unité (ROUGE) pince à la borne de la batterie (POS, P, +) POSITIVE. Ensuite, connectez la borne NÉGATIVE (NOIRE) pince au châssis du véhicule ou le bloc moteur, loin de la batterie.
4. Pour un véhicule positive terre, branchez NEGATIVE l'unité (NOIR) pince à la borne NÉGATIVE (NEG, N, -) de la batterie. Ensuite, connectez la borne POSITIVE (ROUGE) pince au châssis du véhicule ou le bloc moteur à distance de la batterie.

5. Tournez le sélecteur rotatif à la position ON.

REMARQUE : Lorsque vous êtes connecté au véhicule, l'écran affiche la tension de la batterie du véhicule. Lorsque vous êtes connecté et en position ON, l'écran affiche la tension équilibrée entre la batterie du véhicule et de la batterie interne.

6. Démarrer le moteur pendant pas plus de 8 secondes. Si le moteur ne démarre pas, attendre 2 minutes avant une nouvelle tentative.
7. Après le démarrage du moteur, tournez l'interrupteur à la position OFF et retirez l'unité de la batterie.
8. Chargez l'unité.

5.2 UTILISATION DU PORT USB

Le port USB fournit presque 2A avec 5V CC.

1. S'assurer que les pinces de batterie sont correctement installées sur les supports de stockage.
2. Tournez le sélecteur rotatif ON.
3. Branchez l'appareil sur le port USB.
4. Lorsque vous avez terminé du port USB, mettez le sélecteur rotatif sur la position OFF.
5. Chargez l'unité.

5.3 UTILISATION DE LA LAMPE

La lumière de travail est commandé par un sélecteur ON / OFF situé en avant de l'unité. Assurez-vous que la lampe est éteinte lorsque l'appareil est en cours de recharge ou stockées.

Placez la puissance instantanée sur une surface plane et stable près de la zone de travail prévu.

S'assurer que les pinces de batterie sont correctement mis sur les supports de stockage.

5.4 ALIMENTER LES APPAREILS DE 12V

Le bloc d'alimentation est une source d'énergie pour tous les accessoires 12V CC qui sont équipés d'une prise accessoire 12V. Utilisez le pour des pannes de courant et des voyages de pêche ou de camping.

REMARQUE : Ne pas alimenter un appareil 12V avec l'unité pendant le chargement de la batterie interne.

1. Assurez-vous que le dispositif à alimenter est éteint avant d'insérer la prise 12V CC accessoire dans la prise 12V CC accessoire.
2. Ouvrez le couvercle de protection de la prise d'alimentation CC.
3. Branchez l'appareil 12V CC dans la prise d'alimentation CC et allumez l'appareil 12V CC (si nécessaire).
4. Lorsque vous avez terminé, éteignez l'appareil CC (si nécessaire) et débranchez la prise d'alimentation CC.

ATTENTION : Ne pas utiliser l'unité pour alimenter les appareils qui attirent plus que 20A.

REMARQUE : Le fonctionnement prolongé d'un dispositif 12V CC peut entraîner un épuisement excessive de la batterie. Rechargez la batterie interne immédiatement après avoir débranché la prise 12V.

5.5 UTILISATION DU COMPRESSEUR D'AIR

NOTE : Afin d'éviter la surchauffe, le compresseur a une protection thermique intégrée qui désactivera le compresseur avant qu'il ne surchauffe. Si le compresseur s'éteint, attendez quelques minutes et il va automatiquement redémarrer après avoir refroidit.

AVERTISSEMENT : Lisez les instructions du produit étant gonflé avant d'utiliser le compresseur. Évitez de trop gonfler, ne pas dépasser les pressions recommandées par le fabricant. Ne laissez pas le compresseur d'air sans surveillance pendant son utilisation.

1. Retirer le tuyau du compresseur d'air à partir de stockage à l'arrière de l'unité.
2. Branchez l'adaptateur à la tige de valve en le vissant sur l'extrémité. Si nécessaire, utilisez l'un des adaptateurs supplémentaires.
3. Appuyez sur l'interrupteur d'alimentation et de gonflage de gonfler à la pression désirée.
4. Lorsque la pression désirée est atteinte, mettre l'interrupteur du gonfleur sur OFF, ouvrez et retirez le connecteur de la tige de valve.
5. Laisser l'unité se refroidir.
6. Recharge l'appareil avant de le ranger.

REMARQUE : Le compresseur d'air est conçu pour Maximum de 150 PSI.

5.6 UTILISATION DU GONFLEUR

AVERTISSEMENT : RISQUES D'EXPLOSION.

Lire les instructions concernant le produit à gonfler avant d'utiliser le gonfleur. Éviter tout excès de gonflage; ne pas dépasser les pressions recommandées du fabricant. Ne pas laisser le gonfleur à portée de n'importe qui lors de l'utilisation.

1. S'assurer que les pinces de la batterie soient bien posées sur les supports de stockage.
2. Connectez le tuyau avec adaptateur d'extrémité à la sortie de gonflage situé à proximité de l'interrupteur du compresseur / gonfleur sur le dos de l'unité.
3. L'adaptateur principal pour accessoires attaché au flexible ondulé est adapté à 4 dimensions. Si une taille différente est requise, il faut raccorder un autre adaptateur à l'extrémité de l'adaptateur.
4. Insérer l'adaptateur dans le produit devant être gonflé.
5. Appuyez sur l'interrupteur Compresseur/ Gonfleur à la position de gonflage et gonfler le produit.
6. Une fois le produit est gonflé au niveau souhaité, appuyez sur l'interrupteur Compresseur / Gonfleur à la position OFF et retirez l'adaptateur.

Temps estimé pour le gonflage

Véhicule pneus 13-16"	6-24 minutes
Pneus des vélos	1-3 minutes
Ballons de sport	30 secondes

Ces durées sont approximatives. Utiliser l'indicateur de compresseur d'air pour assurer la pression correcte a été atteinte. Ne pas trop gonfler.

5.7 UTILISATION DU DÉGONFLEUR

1. S'assurer que les pinces de la batterie soient bien posées sur les supports de stockage.
2. Attacher le flexible ondulé et l'adaptateur au raccord haut débit du dégonfleur se trouvant directement sur le côté de l'unité.
3. L'adaptateur principal pour accessoires attaché au flexible ondulé est capable de s'adapter à 4 dimensions. Si une taille différente est requise, il faut raccorder un autre adaptateur à l'extrémité de l'adaptateur.
4. Insérer l'adaptateur dans le produit devant être dégonflé.
5. Appuyez sur l'interrupteur Compresseur/ Gonfleur à la position de gonflage et dégonflage l'élément.
6. Une fois le produit est dégonflé au niveau souhaité, appuyez sur l'interrupteur Compresseur / Gonfleur à la position OFF et retirez l'adaptateur.

5.8 AVANT D'UTILISER LE CONVERTISSEUR

Instructions importantes concernant la sécurité:

1. Faire en sorte que l'unité soit toujours bien ventilé afin que toute la chaleur puisse se dissiper correctement en cours d'utilisation. S'assurer que les quelques pouces d'espace autour de l'appareil soient respectés et ne pas boucher les événements à l'arrière de l'appareil.
2. S'assurer que l'unité ne se trouve pas à proximité de toute source potentielle de fumées, gaz ou vêtements inflammables.
3. Conserver l'unité bien sec.
4. NE PAS laisser l'unité sujet à la pluie ou à l'humidité.
5. NE PAS utiliser l'unité si vous-mêmes, l'unité, l'appareil en cours d'utilisation ou tout autre surface susceptible d'entrer en contact avec une alimentation électrique, est mouillé. L'eau et de nombreux autres liquides conduisent l'électricité et sont susceptibles de causer des blessures ou même la mort.
6. Ne pas mettre l'unité sur ou à proximité d'événements, de radiateurs ou autres sources de chaleur.
7. Ne pas exposer l'unité aux rayons directs du soleil. La température de service idéale est entre 50 ° et 80 °F.
8. Ne pas utiliser le convertisseur à proximité d'un compartiment moteur ouvert où des fumées peuvent s'accumuler.
9. Ne pas modifier les réceptacles CA de quelque façon que ce soit.

5.9 UTILISATION DE LE CONVERTISSEUR

Il est important de connaître la puissance continue de l'appareil que vous prévoyez d'utiliser avec le convertisseur. L'unité peut être utilisé avec des appareils consommant 200 W ou moins. Si la puissance n'est pas indiquée sur l'appareil, n'utiliser que des appareils qui consomment moins de 1,7 A de courant CA.

Les appareils tels que les TV, ventilateurs ou moteurs électriques nécessitent une alimentation externe pour s'allumer (habituellement connue sous le nom de « puissance de démarrage ou de crête »). L'unité est capable de fournir une puissance provisoire en Watts. Cependant, même certains appareils d'une capacité inférieure à 200 Watts maxi sont susceptibles de dépasser la capacité d'apport des onduleurs et peuvent causer une coupure automatique due à une surchauffe.

Ne pas utiliser le convertisseur avec un produit qui consomme une puissance supérieure à celle que peut fournir le convertisseur; ce dernier et le produit pourraient en être endommagés.

S'assurer que l'appareil que vous utilisez soit compatible avec un onduleur de fréquences.

ATTENTION : Toujours effectuer un test pour établir si le convertisseur traitera une partie d'équipement ou un appareil.

Dans le cas d'une surcharge de puissance, le convertisseur est conçu pour se couper automatiquement. Cette fonction de sécurité garantit de ne pas endommager le convertisseur lors du test des appareils et de l'équipement dans la plage de 200 W.

Si plus d'un appareil est alimenté, démarrer un appareil à la fois afin d'empêcher toute surtension et/ou surcharge de le convertisseur. La charge de surtension de chaque appareil ne devrait pas dépassée la capacité de puissance nominale pour une utilisation permanente de le convertisseur.

IMPORTANT : Si vous utilisez le convertisseur pour faire fonctionner n'importe quel type de chargeur de batterie, surveiller la température du chargeur pendant environ 10 minutes. Si le chargeur chauffe anormalement, le débrancher immédiatement du convertisseur.

Vous pouvez utiliser une rallonge allant de le convertisseur à l'appareil sans faire chuter, de façon significative, la puissance générée par l'onduleur. Pour de meilleurs résultats, la rallonge doit être de 1,31 mm² ou plus et ne sont plus que 15 mètres.

IMPORTANT : Ce convertisseur utilise une forme d'onde modifiée, ce qui n'est pas tout à fait la même que l'électricité de la compagnie. Pour les appareils suivants, nous vous recommandons de faire attention et de vérifier le manuel de l'appareil pour s'assurer qu'il est compatible avec la forme d'onde modifiée.

1. Alimentations électriques de mode de changement
2. Alimentations électriques linéaires
3. Classe 2 transformateurs
4. Condensateurs de filtre de ligne
5. Moteurs de pôle couverts
6. Moteurs de ventilateur
7. Fours à micro-ondes
8. Les lampes d'Intensité fluorescentes et hautes (avec un transformateur)
9. Chargeur sans transformateur

Utilisation du convertisseur avec un de ces appareils peut causer le dispositif de fonctionner plus chaud ou de surchauffer.

5.10 ALIMENTER UN APPAREIL 120 V CA

1. S'assurer que les pinces de la batterie soient bien posées sur les supports de stockage.
2. Ouvrir le couvercle de protection de la prise d'alimentation CA sur le panneau avant de l'unité.
3. S'assurer que l'appareil en 120 V CA devant être utilisé soit éteint.
4. Brancher l'appareil en 120 V CA sur la prise CA et mettre l'interrupteur du convertisseur/compresseur dans la position onduleur.

REMARQUE : Lorsque le convertisseur est allumé et utilisé, l'écran affiche la puissance totale utilisée par le dispositif étant alimenté par le convertisseur.

5. Marche du dispositif.

6. Si l'appareil ne fonctionne pas correctement dès son premier branchement sur le convertisseur, mettre l'interrupteur à balancier sur ON (I), OFF (0) et encore sur ON (I) plusieurs fois de suite et rapidement. Si cette procédure ne change rien, il est probable que la capacité du convertisseur ne convienne pas à l'appareil prévu.
7. Charger l'unité aussitôt que possible après utilisation.

AVERTISSEMENT : RISQUES DE CHOCS ÉLECTRIQUES.

Une utilisation incorrecte de votre onduleur peut causer des blessures ou des dégâts. La tension en sortie du convertisseur est de 120 V CA et est capable de choquer ou d'électrocuter comme le ferait toute prise murale CA domestique.

REMARQUE : La charge maxi permanente est de 200 Watts. Ne pas utiliser le convertisseur avec un produit qui consomme une puissance supérieure à 200 Watts car le convertisseur et le produit pourraient en être endommagés.

6. INSTRUCTIONS D'ENTRETIEN

- 6.1 Après avoir utilisé l'unité et avant une opération d'entretien, débranchez et déconnectez l'unité.
- 6.2 Utilisez un chiffon sec pour nettoyer toute corrosion de la batterie ainsi que la saleté ou l'huile sur les broches, les câbles et le boîtier de l'unité.
- 6.3 Assurez-vous que tous les composants de l'unité soient en bon état et prêts à être utilisés.
- 6.4 Toutes les réparations doivent être effectuées par du personnel qualifié.

7. INSTRUCTIONS DE STOCKAGE ET EMPLACEMENT

- 7.1 Entrez-le à l'intérieur, dans un endroit sec et frais.
- 7.2 Ne pas ranger les pinces de batterie attachées ensemble, sur ou autour d'un métal ou accrochées aux câbles. On peut ranger l'appareil aide de démarrage dans n'importe quelle position. Lorsque l'appareil aide de démarrage est ouvert, les pinces sont sous tension. Une fois l'interrupteur d'aide-démarrage fermé (Début) et produisent un arc électrique ou des étincelles si elles entrent en contact l'une avec l'autre. Pour prévenir un arc accidentel, laissez toujours les pinces sur les supports de rangement et l'interrupteur d'aide-démarrage fermé (Arrêt) lorsque vous ne vous servez pas de l'aide-démarrage.
- 7.3 Si le aide de démarrage est placé dans la boutique ou transportés vers un autre emplacement, prendre soin d'éviter ou de prévenir des dommages aux câbles, pinces et le aide de démarrage. Ne pas le faire pourrait entraîner des blessures ou des dommages matériels.

IMPORTANT : N'utilisez pas ou n'entrez pas l'aide au démarrage sur toute surface qui pourrait être endommagée par une fuite imprévue d'acide de la batterie interne.

7.4 IMPORTANT :

- **CHARGEZ L'APPAREIL IMMÉDIATEMENT APRÈS L'AVOIR ACHETÉ**
- **MAINTENEZ-LE COMPLÈTEMENT CHARGÉ**

Chargez la batterie interne aide de démarrage immédiatement après l'achat, après chaque utilisation et tous les 30 jours.

La température a un effet sur toutes les batteries. La température idéale de rangement est de 21 °C. La batterie interne se déchargera (perdra de la puissance) graduellement avec le temps, particulièrement si elle est soumise à la chaleur. Le fait de laisser la batterie déchargée peut l'endommager de façon permanente. Pour s'assurer que la batterie fournira un rendement satisfaisant et éviter tout dommage permanent, chargez la batterie interne chaque mois.

8. DÉPANNAGE

PROBLÈME	CAUSE POSSIBLE	SOLUTION
L'unité ne démarre pas ma voiture.	Booster interrupteur USB n'est pas allumé.	Mettez le booster / interrupteur USB.
	Clips ne font pas une bonne connexion à la batterie.	Vérifiez mauvaise connexion à la batterie et le châssis. Assurez-vous que les points de connexion sont propres. Mettez une meilleure connexion.
	La batterie interne n'est pas chargée.	Vérifiez l'état de charge de la batterie en appuyant sur le bouton situé sur le devant de l'unité. Voir <i>Contrôle du Niveau de Batterie Interne</i> section.
Le bloc d'alimentation n'allume pas mon appareil de 12V.	La batterie du véhicule est défectueuse.	Faites vérifier la batterie.
	Le dispositif de 12V n'est pas activé.	Allumez l'appareil 12V.
	La batterie interne n'est pas chargée.	Vérifiez l'état de charge de la batterie en appuyant sur le bouton situé sur le devant de l'unité. Voir <i>Contrôle du Niveau de Batterie Interne</i> section.
La batterie interne ne garde pas la charge.	L'appareil 12V consomme plus de 20A, a un court-circuit, ou ou le fusible interne a sauté.	Débranchez le produit de 12V. Le fusible interne 20A doit être remplacé par un technicien qualifié.
	La batterie est défectueuse (n'accepte pas de charge).	Faites vérifier la batterie.

9. PIÈCES DE RECHANGE

Compresseur d'air kit d'accessoires (3 adaptateurs de tuyau) 2299001425Z

Kit d'accessoires de gonflage:

(gonfleur / dégonfleur tuyau, fin unité et de 3 adaptateurs de tuyau) 0099000598Z

10. ACCESSOIRES

Câble accessoire mâle-mâle94500109

11. AVANT DE RETOURNER POUR LES RÉPARATIONS

Pour RÉPARATION OU RETOUR, visitez 365rma.com

Aller sur batterychargers.com pour les pièces de rechange.

12. GARANTIE LIMITÉE

Aller sur batterychargers.com pour enregistrer votre produit en ligne.

SCHUMACHER ELECTRIC CORPORATION, 801 BUSINESS CENTER DRIVE, MOUNT PROSPECT, IL 60056-2179, DONNE CETTE GARANTIE LIMITÉE POUR PREMIER ACHETEUR DE CE PRODUIT. CETTE GARANTIE LIMITÉE N'EST PAS TRANSFÉRABLES NI CESSIBLES.

Schumacher Electric Corporation (le « Fabricant ») garantit ce aide de démarrage pour un (1) an et la batterie interne pour quatre-vingt-dix (90) jours à partir de la date d'achat au détail contre les défauts de matériaux ou de fabrication qui peuvent se produire dans des conditions normales d'utilisation et de soins. Si votre appareil n'est pas exempt de tout vice de matière ou de fabrication, l'obligation du fabricant sous cette garantie se limite à réparer ou à remplacer le produit, avec un appareil neuf ou remis à neuf, au choix du fabricant. C'est l'obligation de l'acheteur de renvoyer l'appareil accompagné d'une preuve d'achat et des frais d'envoi payé au fabricant ou ses représentants autorisés pour la réparation ou le remplacement de ce produit.

Fabricant ne fournit aucune garantie concernant les accessoires utilisés avec ce produit qui ne sont pas fabriqués par Schumacher Electric Corporation et approuvés pour une utilisation avec ce produit. Cette garantie limitée est annulé si le produit est mal utilisé, soumis à une manipulation imprudente, réparé ou modifié par une personne autre que le fabricant ou si cet appareil est revendu par un détaillant non autorisé.

Le fabricant ne fait aucune autre garantie, y compris, mais sans limiter, garantie expresse, implicite ou légale, y compris, sans limitation, toute garantie implicite de valeur marchande ou la garantie implicite d'adéquation à un usage particulier. De plus, le fabricant ne sera pas responsable pour tout dommage, dommages spéciaux ou indirects encourus par affirme acheteurs, des utilisateurs ou d'autres personnes associées à ce produit, y compris, mais sans s'y limiter, la perte de profits, de revenus, les ventes prévues, les occasions d'affaires, interruption d'activité écarts d'acquisition, et de toute blessure ou dommage. Toutes les garanties, autres que la garantie limitée du présent document, sont par les présentes expressément déclinée. Certains états ne permettent pas l'exclusion ou la limitation des dommages fortuits ou consécutifs ou la durée de la garantie implicite, les limitations ou exclusions susmentionnées peuvent ne pas s'appliquer à vous. Cette garantie vous donne des droits légaux spécifiques et il est possible que vous ayez d'autres droits qui peuvent varier de cette garantie.

CETTE GARANTIE LIMITÉE EST LA SEULE GARANTIE EXPRESSE LIMITÉE ET LE FABRICANT N'ASSUME OU N'AUTORISE QUICONQUE À ASSUMER ET NE FAIT AUCUNE AUTRE OBLIGATION VERS LE PRODUIT AUTRE QUE CETTE GARANTIE.

Schumacher® est une marque déposée de Schumacher Electric Corporation.