

Automatic Battery Charger

Cargador de baterías automático

Chargeur de batterie automatique



LISTED
106-2
106-3

OWNERS MANUAL / MANUAL DEL USUARIO / MANUEL D'UTILISATION

PLEASE SAVE THIS OWNERS MANUAL AND READ BEFORE EACH USE. This manual will explain how to use the battery charger safely and effectively. Please read and follow these instructions and precautions carefully.

POR FAVOR CONSERVE ESTE MANUAL DEL USUARIO Y LEALO ANTES DE CADA USO. En este manual le explica cómo utilizar el cargador de batería de manera segura y confiable. Por favor, lea y siga las siguientes instrucciones y precauciones.

GARDER LE MANUEL D'INSTRUCTION ET LISEZ LE AVANT CHAQUE UTILISATION. Ce manuel explique comment utiliser le chargeur de batterie d'une façon sécuritaire et efficace. S'il vous plaît lisez et suivez ces instructions et précautions.

CONTENTS

IMPORTANT SAFETY INSTRUCTIONS – SAVE THESE INSTRUCTIONS	5
PERSONAL SAFETY PRECAUTIONS.....	5
PREPARING TO CHARGE	6
CHARGER LOCATION	6
DC CONNECTION PRECAUTIONS.....	6
FOLLOW THESE STEPS WHEN BATTERY IS INSTALLED IN VEHICLE	6
FOLLOW THESE STEPS WHEN BATTERY IS OUTSIDE VEHICLE	7
GROUNDING AND AC POWER CORD CONNECTIONS	7
ASSEMBLY INSTRUCTIONS	7
CONTROL PANEL	8
OPERATING INSTRUCTIONS	9
DISPLAY MESSAGES	12
MAINTENANCE AND CARE.....	13
TROUBLESHOOTING	13
BEFORE RETURNING FOR REPAIRS.....	14
LIMITED WARRANTY.....	14

CONTENIDOS

INSTRUCCIONES IMPORTANTES DE SEGURIDAD – GUARDE ESTAS INSTRUCCIONES	15
PRECAUCIONES DE SEGURIDAD PERSONAL.....	15
PREPARACIÓN PARA LA CARGA	16
UBICACIÓN DEL CARGADOR.....	16
PRECAUCIONES DE CONEXIÓN EN CC.....	16
SIGA ESTOS PASOS CUANDO LA BATERÍA ESTÉ COLOCADA EN EL VEHÍCULO.....	17
SIGA ESTOS PASOS CUANDO LA BATERÍA SE ENCUENTRE FUERA DEL VEHÍCULO	17
CONEXIONES A TIERRA Y ENERGÍA DE CA.....	17
INSTRUCCIONES DE MONTAJE	18
PANEL DE CONTROL	18
INSTRUCCIONES DE OPERACIÓN.....	20
MUESTRA DE MENSAJES	23
MANTENIMIENTO Y CUIDADO	24
LOCALIZACIÓN Y RESOLUCIÓN DE PROBLEMAS	24
ANTES DE DEVOLVER A REPARACIONES.....	26
GARANTÍA LIMITADA.....	26

TABLE DES MATIÈRES

CONSIGNES DE SÉCURITÉ IMPORTANTES – CONSERVER CES INSTRUCTIONS.....	27
MESURES DE SÉCURITÉ PERSONNELLE.....	27
PRÉPARATION POUR LE CHARGEMENT.....	28
EMPLACEMENT DU CHARGEUR.....	28
PRÉCAUTIONS SUR LA CONNEXION C.C.	28
ÉTAPES À SUIVRE QUAND LA BATTERIE EST INSTALLÉE DANS UN VÉHICULE.....	29
ÉTAPES À SUIVRE QUAND LA BATTERIE EST INSTALLÉE HORS DU VÉHICULE.....	29
MISE À LA TERRE ET CORDON D'ÉNERGIE CA.....	29
DIRECTIVES D'ASSEMBLAGE.....	30
PANNEAU DE CONTRÔLE.....	30
CONSIGNES D'UTILISATION.....	32
MESSAGES D'AFFICHAGE.....	35
MAINTENANCE ET ENTRETIEN.....	36
TABLEAU DE DÉPANNAGE.....	36
AVANT DE RETOURNER POUR LES RÉPARATIONS.....	38
GARANTIE LIMITÉE.....	38

Automatic Battery Charger

OWNERS MANUAL



LISTED
106-2
106-3

PLEASE SAVE THIS OWNERS MANUAL AND READ BEFORE EACH USE.

This manual will explain how to use the charger safely and effectively.

Please read and follow these instructions and precautions carefully.

1. IMPORTANT SAFETY INSTRUCTIONS – SAVE THESE INSTRUCTIONS

- 1.1 **SAVE THESE INSTRUCTIONS** – This manual contains important safety and operating instructions.
- 1.2 Keep out of reach of children.
- 1.3 Do not expose the charger to rain or snow.
- 1.4 Use of an attachment not recommended or sold by the battery charger manufacturer may result in a risk of fire, electric shock or injury to persons.
- 1.5 To reduce the risk of damage to electric plug and cord, pull by the plug rather than the cord when disconnecting charger.
- 1.6 An extension cord should not be used unless absolutely necessary. Use of improper extension cord could result in a risk of fire and electric shock. If an extension cord must be used, make sure:
 - The pins on plug of extension cord are the same number, size and shape as those of plug on charger.
 - The extension cord is properly wired and in good electrical condition.
 - The wire size is large enough for AC ampere rating of charger as specified in section 8.
- 1.7 Do not operate charger with damaged cord or plug – replace the cord or plug immediately.
- 1.8 Do not operate charger if it has received a sharp blow, been dropped, or otherwise damaged in any way; take it to a qualified serviceman.
- 1.9 Do not disassemble charger; take it to a qualified serviceman when service or repair is required. Incorrect reassembly may result in a risk of electric shock or fire.
- 1.10 To reduce risk of electric shock, unplug charger from outlet before attempting any maintenance or cleaning. Turning off controls will not reduce this risk.
- 1.11 **WARNING: RISK OF EXPLOSIVE GASES.**
 - a. WORKING IN VICINITY OF A LEAD-ACID BATTERY IS DANGEROUS. BATTERIES GENERATE EXPLOSIVE GASES DURING NORMAL BATTERY OPERATION. FOR THIS REASON, IT IS OF UTMOST IMPORTANCE THAT YOU FOLLOW THE INSTRUCTIONS EACH TIME YOU USE THE CHARGER.
 - b. To reduce risk of battery explosion, follow these instructions and those published by battery manufacturer and manufacturer of any equipment you intend to use in vicinity of battery. Review cautionary markings on these products and on engine.

2. PERSONAL SAFETY PRECAUTIONS

- 2.1 Consider having someone close enough by to come to your aid when you work near a lead-acid battery.
- 2.2 Have plenty of fresh water and soap nearby in case battery acid contacts skin, clothing, or eyes.
- 2.3 Wear complete eye protection and clothing protection. Avoid touching eyes while working near battery.
- 2.4 If battery acid contacts skin or clothing, wash immediately with soap and water. If acid enters eye, immediately flood eye with running cold water for at least 10 minutes and get medical attention immediately.
- 2.5 NEVER smoke or allow a spark or flame in vicinity of battery or engine.
- 2.6 Be extra cautious to reduce risk of dropping a metal tool onto battery. It might spark or short-circuit battery or other electrical part that may cause explosion.
- 2.7 Remove personal metal items such as rings, bracelets, necklaces, and watches when working with a lead-acid battery. A lead-acid battery can produce a short-circuit current high enough to weld a ring or the like to metal, causing a severe burn.
- 2.8 Use charger for charging only 6V or 12V LEAD-ACID (STD, AGM, GEL or deep-cycle) rechargeable batteries. It is not intended to supply power to a low voltage electrical system other than in a starter-motor application. Do not use battery charger for charging dry-cell batteries that are commonly used with home appliances. These batteries may burst and cause injury to persons and damage to property.
- 2.9 NEVER charge a frozen battery.

3. PREPARING TO CHARGE

- 3.1 If necessary to remove battery from vehicle to charge, always remove grounded terminal from battery first. Make sure all accessories in the vehicle are off, so as not to cause an arc.
- 3.2 Be sure area around battery is well ventilated while battery is being charged.
- 3.3 Clean battery terminals. Be careful to keep corrosion from coming in contact with eyes.
- 3.4 Add distilled water in each cell until battery acid reaches level specified by battery manufacturer. Do not overfill. For a battery without removable cell caps, such as valve regulated lead acid batteries, carefully follow manufacturer's recharging instructions.
- 3.5 Study all battery manufacturer's specific precautions while charging and recommended rates of charge.
- 3.6 Determine voltage of battery by referring to car owner's manual and make sure that output voltage selector switch is set at correct voltage. If charger has adjustable charge rate, charge battery initially at lowest rate.

4. CHARGER LOCATION

- 4.1 Locate charger as far away from battery as DC cables permit.
- 4.2 Never place charger directly above battery being charged; gases from battery will corrode and damage charger.
- 4.3 Never allow battery acid to drip on charger when reading electrolyte specific gravity or filling battery.
- 4.4 Do not operate charger in a closed-in area or restrict ventilation in any way.
- 4.5 Do not set a battery on top of charger.

5. DC CONNECTION PRECAUTIONS

- 5.1 Connect and disconnect DC output clips only after setting any charger switches to "off" position and removing AC cord from electric outlet. Never allow the clips of charger to touch each other. Clips may be energized and they may spark.
- 5.2 Attach clips to battery and chassis, as indicated in sections 6 and 7.

6. FOLLOW THESE STEPS WHEN BATTERY IS INSTALLED IN VEHICLE

**WARNING: A SPARK NEAR THE BATTERY MAY CAUSE A BATTERY EXPLOSION.
TO REDUCE THE RISK OF A SPARK NEAR THE BATTERY:**

- 6.1 Position AC and DC cords to reduce risk of damage by hood, door, or moving engine part.
- 6.2 Stay clear of fan blades, belts, pulleys, and other parts that can cause injury to persons.
- 6.3 Check polarity of battery posts. POSITIVE (POS, P, +) battery post usually has larger diameter than NEGATIVE (NEG, N, -) post.
- 6.4 Determine which post of battery is grounded (connected) to the chassis. If negative post is grounded to chassis (as in most vehicles), see (6.5). If positive post is grounded to the chassis, see (6.6).
- 6.5 For negative-grounded vehicle, connect POSITIVE (RED) clip from battery charger to POSITIVE (POS, P, +) ungrounded post of battery. Connect NEGATIVE (BLACK) clip to vehicle chassis or engine block away from battery. Do not connect clip to carburetor, fuel lines, or sheet-metal body parts. Connect to a heavy gauge metal part of the frame or engine block.
- 6.6 For positive-grounded vehicle, connect NEGATIVE (BLACK) clip from battery charger to NEGATIVE (NEG, N, -) ungrounded post of battery. Connect POSITIVE (RED) clip to vehicle chassis or engine block away from battery. Do not connect clip to carburetor, fuel lines, or sheet-metal body parts. Connect to a heavy gauge metal part of the frame or engine block.
- 6.7 When disconnecting charger, turn switches to off, disconnect AC cord, remove clip from vehicle chassis, and then remove clip from battery terminal.
- 6.8 See *Operating Instructions* for length of charge information.

7. FOLLOW THESE STEPS WHEN BATTERY IS OUTSIDE VEHICLE

**WARNING: A SPARK NEAR THE BATTERY MAY CAUSE A BATTERY EXPLOSION.
TO REDUCE THE RISK OF A SPARK NEAR THE BATTERY:**

- 7.1 Check polarity of battery posts. POSITIVE (POS, P, +) battery post usually has a larger diameter than NEGATIVE (NEG, N, -) post.
- 7.2 Attach at least a 24-inch-long 6-gauge (AWG) insulated battery cable to NEGATIVE (NEG, N, -) battery post.
- 7.3 Connect POSITIVE (RED) charger clip to POSITIVE (POS, P, +) post of battery.
- 7.4 Position yourself and free end of cable as far away from battery as possible – then connect NEGATIVE (BLACK) charger clip to free end of cable.
- 7.5 Do not face battery when making final connection.
- 7.6 When disconnecting charger, always do so in reverse sequence of connecting procedure and break first connection while as far away from battery as practical.
- 7.7 A marine (boat) battery must be removed and charged on shore. To charge it on board requires equipment specially designed for marine use.

8. GROUNDING AND AC POWER CORD CONNECTIONS

- 8.1 This battery charger is for use on a nominal 120 volt circuit and has a grounded plug. The charger must be grounded, to reduce the risk of electric shock. The plug must be plugged into an outlet that is properly installed and grounded in accordance with all local codes and ordinances. The plug pins must fit the receptacle (outlet). Do not use with an ungrounded system.
- 8.2 **DANGER:** Never alter the AC cord or plug provided – if it does not fit the outlet, have a proper grounded outlet installed by a qualified electrician. An improper connection can result in a risk of an electric shock or electrocution.
NOTE: Pursuant to Canadian Regulations, use of an adapter plug is not allowed in Canada. Use of an adapter plug in the United States is not recommended and should not be used.

8.3 USING AN EXTENSION CORD

The use of an extension cord is not recommended. If you must use an extension cord, follow these guidelines:

- Pins on plug of extension cord must be the same number, size, and shape as those of plug on charger.
- Ensure that the extension cord is properly wired and in good electrical condition.
- Wire size must be large enough for the AC ampere rating of charger, as specified:

Length of cord (feet)	25	50	100	150
AWG* size of cord	10	10	10	8

*AWG-American Wire Gauge

9. ASSEMBLY INSTRUCTIONS

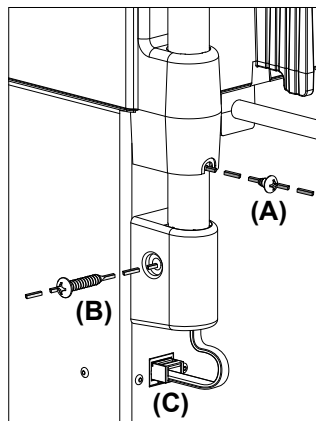
- 9.1 It is important to fully assemble your charger before use. Remove all cord wraps and uncoil the cables prior to using the battery charger. Follow these instructions for assembly.

Parts Included
(2) #8 x 0.25" screws (A)
(2) #10 x 1.0" screws (B)
(1) handle
Tools Needed
Phillips-head screwdriver (not included)

- 9.2 **Attach the handle:** Place each end of handle into its bracket, aligning with the screw holes. Insert screws as shown. Plug the cable into the port, as shown (C).

IMPORTANT: Port is ONLY for plugging in the charger handle. It is not compatible with any other equipment.

CAUTION: Take care not to pinch or damage cable during handle installation. Charger will not function properly if this cable is damaged.



10. CONTROL PANEL

DIGITAL DISPLAY

The Digital Display indicates the status of the battery and charger. See the *Display Messages* section for a complete list of messages.

NOTE: During charging, the display will go into sleep mode and will not show the battery percentage, alternator percentage or voltage. To turn the display back on, press the Display button.

DISPLAY BUTTON

Use this button to set the function of the digital display to one of the following:

Battery % – The Digital Display shows an estimated charge percentage of the battery connected to the charger's battery clamps, when charging.

Alternator % (12V only) – The Digital Display shows an estimated output percentage of the vehicle's charging system connected to the charger's battery clamps, compared to a properly functioning system. The alternator percent range is from 0 to 100%. Readings below 0 (13.2 volts) will read **LOW** and readings above 100% (14.6 volts) will read **HIGH**. If you get a **HIGH** or **LOW** reading, have the electrical system checked by a qualified technician.

Voltage – The Digital Display shows the voltage at the charger battery clamps, in DC volts.

RATE SELECTION BUTTON

Use this button to select one of the following:

6<>2A CHARGE/MAINTAIN – For charging small and large batteries. **Not recommended for industrial applications.**

BOOST – For quickly adding energy to a severely discharged or large capacity battery prior to Engine Start. The unit will automatically switch to 6A<>2A Charge/Maintain after the Boost operation has completed.

6V or 12V ENGINE START – Provides high amperage for cranking an engine with a weak or run-down battery. Always use in combination with a battery.

NOTE: Once the charger has started charging the battery, if you press the Rate Selection button once, the output current is shut off and the display will show **OFF** and then the battery voltage. If you press the Rate Selection button again, the current will go back on at the same setting it was when it was turned off.

LED INDICATORS

REVERSED CLAMPS (red) LED flashing: The connections are reversed.

CHARGING/BOOSTING (yellow/orange) LED lit:

The charger has detected that a battery is connected, and is performing the selected operation.

CHARGED/MAINTAINING (green) LED lit: The battery is fully charged and the charger is in maintain mode.

NOTE: See *Operating Instructions* for a complete description of the charger modes.

BATTERY TYPE BUTTON

Use this button to set the type of battery.

STD – Used in cars, trucks and motorcycles, these batteries have vent caps and are often marked "low maintenance" or "maintenance-free". This type of battery is designed to deliver quick bursts of energy (such as starting engines) and has a greater plate count. The plates are thinner and have somewhat different material composition. Standard batteries should not be used for deep-cycle applications.

AGM – The Absorbed Glass Mat construction allows the electrolyte to be suspended in close proximity with the plate's active material. In theory, this enhances both the discharge and recharge efficiency. The AGM batteries are a variant of Sealed VRLA (valve regulated lead-acid) batteries. Popular uses include high-performance engine starting, power sports, deep-cycle, solar and storage batteries.

GEL – The electrolyte in a GEL cell has a silica additive that causes it to set up or stiffen. The recharge voltages on this type of cell are lower than those for other styles of lead-acid battery. This is probably the most sensitive cell in terms of adverse reactions to overvoltage charging. Gel batteries are best used in VERY DEEP cycle application and may last a bit longer in hot weather applications. If the wrong battery charger is used on a gel cell battery, poor performance and premature failure will result.

TOGGLE SWITCHES

These are found on the base of the unit.

VOLTAGE SELECTOR SWITCH – Select 6V or 12V.

ON/OFF SWITCH – Use this switch to select between the Charge/Maintain rate, Boost rate or the Engine Start mode.

OFF – When the switch is in this position (middle), the charger is turned off.

BOOST or CHARGE/MAINTAIN – When the switch is in this position, the Rate Selection button can be set to either the 6A<>2A Charge/Maintain or Boost.

ENGINE START – Use this position for the Engine Start mode. When the switch is in this position, the Engine Start LED will illuminate.

11. OPERATING INSTRUCTIONS

WARNING: A SPARK NEAR BATTERY MAY CAUSE AN EXPLOSION.

NOTE: This charger is equipped with an auto-start feature. Current will not be supplied to the battery clamps until a battery is properly connected. The clamps will not spark if touched together.

CHARGING A BATTERY IN THE VEHICLE

1. Turn off all the vehicle's accessories.
2. Keep the hood open.
3. Clean the battery terminals.
4. Place the charger on a dry, non-flammable surface.
5. Lay the AC/DC cables away from any fan blades, belts, pulleys and other moving parts.
6. Make sure the ON/OFF switch is set to OFF.
7. Connect the battery, following the precautions listed in sections 6 and 7.
8. Connect the charger to an electrical outlet.
9. With the charger plugged in and connected to the battery of the vehicle, set the ON/OFF switch to the Boost or Charge/Maintain position.
10. Select the battery type and desired rate. Charging will then begin automatically. See section 12 for **CHARGING** message details.
11. The yellow/orange Charging/Boosting LED will light, and the display will show **ANALYZING BATTERY** while the charger determines that the battery is properly connected and the condition of the battery.
12. When charging is complete, press the ON/OFF switch to turn OFF, disconnect the charger from the AC power, remove the clamp from the vehicle's chassis, and then remove the clamp from the battery terminal.

CHARGING A BATTERY OUTSIDE OF THE VEHICLE

1. Place battery in a well-ventilated area.
2. Clean the battery terminals.
3. Make sure the ON/OFF switch is set to OFF.
4. Connect the battery, following the precautions listed in sections 6 and 7.
5. Connect the charger to the electrical outlet.
6. With the charger plugged in and connected to the battery of the vehicle, set the ON/OFF switch to the Boost or Charge/Maintain position.
7. Select the battery type and desired rate. Charging will then begin automatically. See section 12 for **CHARGING** message details.
8. The yellow/orange Charging/Boosting LED will light, and the display will show **ANALYZING BATTERY** while the charger determines that the battery is properly connected and the condition of the battery.
9. When charging is complete, press the ON/OFF switch to turn OFF, disconnect the charger from the AC power, disconnect the negative clamp, and finally the positive clamp.
10. A marine (boat) battery must be removed and charged on shore.

AUTOMATIC CHARGING MODE

When an Automatic Charge is performed, the charger switches to the maintain mode automatically after the battery is charged.

BATTERY CONNECTION INDICATOR

If the charger does not detect a properly connected battery, charging will not start and the digital display will show one of two messages. If the display shows **CONNECT CLAMPS**, make sure the charger is connected to the battery and the connection points are clean and making a good connection. If the display shows **WARNING CLAMPS REVERSED**, unplug the charger from the AC outlet and reverse the connections at the battery.

BATTERY CHARGING TIMES

APPLICATION	BATTERY SIZE	CHARGING TIME (Hours)			
		2A	6A	8A	10A
POWERSPORTS ↓	6Ah	6	2	1.75	1.5
	32Ah	15	5	4.5	4
AUTOMOTIVE ↓	300 CCA	12	4	3.5	3
	1000 CCA	30	10	8.5	7
MARINE ↓	50Ah	15	5	4.25	3.5
	105Ah	33	11	9.5	8

Times are based on a 50% discharged battery and may change, depending on age and condition of battery.

CHARGE COMPLETION AND MAINTAIN MODE (FLOAT MODE MONITORING)

Charge completion is indicated by the green LED and the digital display showing **FULLY CHARGED AUTO MAINTAINING**. This means that the charger has stopped charging and has switched to the Maintain Mode of operation. **NOTE:** If the charger has to provide its maximum maintain current for a continuous 12 hour period, it will go into Abort Mode (see *Aborted Charge* section). This is usually caused by a drain on the battery, or the battery could be bad. Make sure there are no loads on the battery. If there are, remove them. If there are none, have the battery checked or replaced.

MAINTAINING A BATTERY

This unit maintains 6 and 12 volt batteries, keeping them at full charge. **It is not recommended for industrial applications.**

NOTE: The maintain mode technology allows you to safely charge and maintain a healthy battery for extended periods of time. However, problems with the battery, electrical problems in the vehicle, improper connections or other unanticipated conditions could cause excessive current draws. As such, occasionally monitoring your battery and the charging process is required.

DESULFATION MODE

If the battery is left discharged for an extended period of time, it could become sulfated and not accept a normal charge. If the charger detects a sulfated battery, the charger will switch to a special mode of operation designed for such batteries. If successful, normal charging will resume after the battery is desulfated. Desulfation could take up to 8 hours. If desulfation fails, charging will abort and the display will show **CHARGING ABORTED BAD BATTERY**.

ABORTED CHARGE

If charging cannot be completed normally, charging will abort. When charging aborts, the charger's output is shut off and the display will show **CHARGING ABORTED BAD BATTERY**. Do not continue attempting to charge this battery. Check the battery and replace, if necessary.

USING THE ENGINE START SETTING

Your battery charger can be used to jump start your car if the battery is low. Follow all safety instructions and precautions for charging your battery. Wear complete eye protection and protective clothing.

WARNING: Using the Engine Start setting WITHOUT a battery installed in the vehicle will damage the vehicle's electrical system.

NOTE: If you have charged the battery and it still will not start your car, do not use the Engine Start setting, or it could damage the vehicle's electrical system. Have the battery checked.

1. Set the ON/OFF switch to the OFF position.
2. With the charger unplugged from the AC outlet, connect the charger to the battery, following the instructions given in *Follow These Steps When Battery Is Installed In Vehicle*.
3. With the charger plugged in and connected to the battery and chassis, set the ON/OFF switch to the Engine Start position, and then press the Rate Selection button until the Engine Start LED is lit.
4. When the display shows **ENGINE START READY**, crank the engine until it starts or 3 seconds pass. If the engine does not start, wait 3 minutes (until the display shows **ENGINE START READY**) before cranking again. This allows the charger and battery to cool down. **NOTE:** During extremely cold weather, or if the battery is under 2 volts, charge the battery for 5 minutes before cranking the engine.
5. If the engine fails to start, use the Boost rate for 5 minutes before attempting to crank the engine again.
6. After the engine starts, press the ON/OFF switch to turn OFF, unplug the AC power cord before disconnecting the battery clamps from the vehicle.

NOTE: If the engine does turn over but never starts, there is not a problem with the starting system; there is a problem somewhere else with the vehicle. STOP cranking the engine until the other problem has been diagnosed and corrected.

ENGINE STARTING NOTES

During the starting sequence, the charger is set to one of three states:

- **Wait for cranking** – The charger waits until the engine is actually being cranked before delivering the amps for engine start and will reset if the engine is not cranked within 15 minutes. (If the charger resets, it sets itself to the default start up settings). While waiting for cranking, the digital display shows the battery charged percentage (it cannot be set to voltage). After 5 seconds, the display will change to **ENGINE START READY**.
- **Cranking** – When cranking is detected, the charger will automatically deliver up to its maximum output as required by the starting system for up to 5 seconds or until the engine cranking stops. The digital display shows a countdown of the remaining crank time.
- **Cool Down** – After cranking, the charger enters a mandatory 3 minute (180 second) cool down state. The digital display will show **ENGINE START COOL DOWN XXX SECONDS REMAINING**. It starts at 180 and counts down to 0. After 3 minutes, the digital display will change to **ENGINE START READY**. The Charging/Boosting (yellow/orange) LED will then be lit.

USING THE BATTERY VOLTAGE TESTER

1. With the charger unplugged from the AC outlet, connect the charger to the battery, following the instructions given in previous sections.
2. Plug the charger's AC power cord into the AC outlet.
3. Set the ON/OFF switch to Boost/Charge/Maintain. DO NOT choose a rate with the Rate Selection button.
4. If necessary, press the Battery Type button until the correct type is indicated.
5. Read the voltage on the digital display. Keep in mind that this reading is only a battery voltage reading; a false surface charge may mislead you. Compare the reading to the following chart.

6V Battery Voltage Reading	12V Battery Voltage Reading	Battery Condition
6.4 or more	12.8 or more	Charged
6.1 to 6.3	12.2 to 12.7	Needs charging
Less than 6.1	Less than 12.2	Discharged

TESTER AND CHARGER

When first turned on, the unit operates only as a tester, not as a charger. Selecting a charge rate activates the battery charger and deactivates the tester. Pressing the Rate Selection button when the Engine Start LED is lit (except during the 180 second cool down) will shut off the charger and activate the tester.

POWER-UP IDLE TIME LIMIT

If no button is pressed within 10 minutes after the battery charger is first powered up, the charger will automatically switch from tester to charger if a battery is connected. In that case, the charger will be set to charge at the 6<->2A charge rate and Gel battery type.

TESTER WITHOUT TIME LIMIT

If either the Display Mode or Battery Type button is pressed within the first 10 minutes after the battery charger is powered up, the unit will remain a tester (not a charger) indefinitely, unless a charge rate is selected.

TESTING AFTER CHARGING

After the unit has been changed from tester to charger (by selecting a charge rate), it remains a charger. To change the battery charger back to a tester, press the Rate Selection button until all charge rate LEDs are off.

NOTE: The battery tester is only designed to test batteries. Testing a device with a rapidly changing voltage could yield unexpected or inaccurate results.

USING THE ALTERNATOR PERFORMANCE TESTER

1. With the charger unplugged from the AC outlet, connect the charger to the battery, following the instructions given in previous sections.
2. Plug the charger AC power cord into the AC outlet.
3. Set the ON/OFF switch to Boost/Charge/Maintain. DO NOT choose a rate with the Rate Selection button.
4. Start the vehicle, rev the engine at 2000 rpm for 30 seconds and turn on the vehicle's headlights or other accessories.
5. Read the voltage on the digital display. If you get a reading between 13.4 volts and 14.6 volts, the alternator is working properly. If the reading is less than 13.4 volts or more than 14.6 volts, have the charging system checked by a qualified technician.

NOTE: Refer to your vehicle owner's manual for appropriate voltage numbers for your alternator.

FAN OPERATION

It is normal for the fan to start and stop when maintaining a fully charged battery. The fan does not run in Tester Mode. Keep the area near the charger clear of obstructions, to allow the fan to operate efficiently.

RESTART

If the Charge Mode is changed after charging has started (by pressing the Rate Selection or Battery Type button), the charging process will restart.

12. DISPLAY MESSAGES

CONNECT CLAMPS (Voltage LED lit) – Plugged into the AC outlet without the clamps connected to a 6V or 12V battery.

WARNING CLAMPS REVERSED (red LED flashing) – Plugged into the AC outlet and the clamps are connected backwards to a battery. Scrolls until condition is corrected.

ANALYZING BATTERY (yellow/orange LED lit) – Plugged into the AC outlet, and when first connected to a 6 or 12V battery correctly.

CHARGING 6V – XX% (yellow/orange LED lit) – Plugged into the AC outlet and correctly connected to a discharged 6V battery.

CHARGING 12V – XX% (yellow/orange LED lit) – Plugged into the AC outlet and correctly connected to a discharged 12V battery.

FULLY CHARGED AUTO MAINTAINING (green LED lit) – Plugged into the AC outlet and correctly connected to a fully charged 6 or 12V battery.

CHARGING ABORTED BAD BATTERY – Circumstances that could cause an Abort situation during charging:

- The battery is severely sulfated or has a shorted cell and can't reach a full charge.
- The battery is too large or there is a bank of batteries and it doesn't reach full charge within a set time period.

Circumstances that could cause an Abort situation during maintaining:

- The battery is severely sulfated or has a weak cell and will not hold a charge.
- There is a large draw on the battery and the charger has to supply its maximum maintain current for a 12 hour period to keep the battery at full charge.

ENGINE START READY (Battery Type LED lit) – The charger is ready for engine start.

ENGINE START COOL DOWN XXX SECONDS REMAINING (Battery Type LED lit) – The charger is in a mandatory 3 minute (180 second) cool down state.

13. MAINTENANCE AND CARE

A minimal amount of care can keep your battery charger working properly for years.

- Clean the clamps each time you are finished charging. Wipe off any battery fluid that may have come in contact with the clamps to prevent corrosion.
- Occasionally cleaning the case of the charger with a soft cloth will keep the finish shiny and help prevent corrosion.
- Coil the input and output cords neatly when storing the charger. This will help prevent accidental damage to the cords and charger.
- Store the charger unplugged from the AC power outlet in an upright position.
- Store inside, in a cool, dry place. Do not store the clamps on the handle, clipped together, on or around metal, or clipped to the cables.

14. TROUBLESHOOTING

PROBLEM	POSSIBLE CAUSE	SOLUTION
The charger will not turn on when properly connected.	AC outlet is dead.	Check for open fuse or circuit breaker supplying AC outlet.
	Poor electrical connection.	Check power cord and extension cord for loose fitting plug.
	Battery is defective.	Have battery checked.
Three LEDs come on for 2 seconds, then turn off.	The charger is plugged into an AC outlet.	No problem; this is normal.
Battery clamps do not spark when touched together.	The charger is equipped with an auto-start feature. It will not supply current to the battery clamps until a battery is properly connected. The clamps will not spark if touched together.	No problem; this is a normal condition.
The battery is connected and the charger is on, but is not charging.	The charger is in tester mode, not charge mode.	Press the Rate Selection button to activate the charge mode and select a rate.
No reading on the digital display.	Charger is not plugged in.	Plug the charger into an AC outlet.
	No power at the receptacle.	Check for open fuse or circuit breaker supplying AC outlet.
Digital Display reads LOW when testing the alternator.	The alternator output is 13.2 volts or less.	Have the electrical system checked by a qualified technician.
Digital Display reads HIGH when testing the alternator.	The alternator output is 14.6 volts or more.	Have the electrical system checked by a qualified technician.
Yellow/orange LED is lit and the display shows ANALYZING BATTERY .	The charger needs to check the condition of the battery.	The yellow/orange LED will be lit when the charger is checking the condition of the battery.
The display shows CHARGE ABORTED BAD BATTERY .	The battery is sulfated; desulfation failed.	Do not continue attempting to charge this battery. Check the battery and replace, if necessary.
	The battery is too large for the charger.	You need a charger with a higher amp rate.
The display shows CONNECT CLAMPS .	The clamps are not making a good connection.	Check for poor connection at battery and frame.

PROBLEM	POSSIBLE CAUSE	SOLUTION
Short or no start cycle when cranking engine.	<p>No power at receptacle.</p> <p>AC cord and/or extension cord is loose.</p> <p>The clamps are not making a good connection.</p> <p>Failure to wait 3 minutes between cranks.</p> <p>The battery may be severely discharged.</p> <p>The battery is drawing more than the engine start rate.</p> <p>The charger may be overheated.</p>	<p>Check for open fuse or circuit breaker supplying AC outlet.</p> <p>Check power cord and extension cord for loose fitting plug.</p> <p>Check for poor connection at battery and frame.</p> <p>Wait 3 minutes of rest time before the next crank.</p> <p>On a severely discharged battery, use the Boost rate for 10 to 15 minutes, to assist in cranking.</p> <p>Crank time varies with the amount of current drawn. If cranking draws more than the engine start rate, crank time may be less than 5 seconds.</p> <p>The thermal protector may have tripped and needs a little longer to reset. Make sure the charger vents are not blocked. Wait and try again.</p>
The Boost LED is flashing.	The charger was left in Boost mode for an extended period of time.	The Boost LED will flash for 30 minutes, then go off, and the Charging/Boosting LED will light, indicating the charger has switched to Charging mode.
The Boost LED shuts off.	The Boost mode is completed.	This is normal. The charger will automatically switch to charging mode to fully charge the battery. You may press the Rate Selection button and select either the 6A<->2A Charge/ Maintain rate or Engine Start.

15. BEFORE RETURNING FOR REPAIRS

For REPAIRS OR RETURNS, visit 365rma.com

Visit batterychargers.com for Replacement Parts.

16. LIMITED WARRANTY

For information on our one year limited warranty, please visit batterychargers.com or call 1-800-621-5485 to request a copy.

Go to batterychargers.com to register your product online.

Cargador de baterías automático

MANUAL DEL USUARIO



LISTED
106-2
106-3

POR FAVOR CONSERVE ESTE MANUAL DEL USUARIO Y LEALO ANTES DE CADA USO.

En este manual le explica cómo utilizar el cargador de batería de manera segura y confiable. Por favor, lea y siga las siguientes instrucciones y precauciones.

1. INSTRUCCIONES IMPORTANTES DE SEGURIDAD – GUARDE ESTAS INSTRUCCIONES

- 1.1 **GUARDE ESTAS INSTRUCCIONES** – Este manual contiene instrucciones operativas y de seguridad de importancia.
- 1.2 Manténgase alejado de los niños.
- 1.3 No exponga el cargador a la lluvia o a la nieve.
- 1.4 El uso de un accesorio no recomendado o suministrado por el fabricante del cargador de baterías puede provocar riesgo de incendio, descarga eléctrica o lesiones a personas.
- 1.5 Para reducir el riesgo de daños al enchufe o cable eléctrico, jale del enchufe en lugar de jalar del cable al desconectar el cargador.
- 1.6 No se debe utilizar un alargador a menos que resulte absolutamente necesario. El uso de un alargador inadecuado puede provocar riesgo de incendio o descarga eléctrica. En caso de que deba utilizarse un alargador, asegúrese de que:
 - Los pasadores en el enchufe del alargador posean el mismo número, tamaño y forma que aquellos presentes en el enchufe del cargador.
 - El alargador se encuentre correctamente conectado y en buenas condiciones eléctricas.
 - El tamaño del cable sea lo suficientemente extenso para el amperaje en CA del cargador como se especifica en la sección 8.
- 1.7 No utilice el cargador si el mismo posee un enchufe o cable dañado; sustituya el cable o el enchufe inmediatamente por una persona calificada en el ramo.
- 1.8 No utilice el cargador si el mismo recibió un golpe fuerte, si se cayó o si sufrió daños de cualquier otra forma; hágalo revisar por una persona capacitada que efectúe reparaciones.
- 1.9 No desarme el cargador; hágalo revisar por una persona capacitada que efectúe reparaciones cuando necesite servicio de mantenimiento o una reparación. Volver a ensamblar el cargador en forma incorrecta puede provocar riesgo de incendio o descarga eléctrica.
- 1.10 Para reducir el riesgo de descarga eléctrica, desconecte el cargador del tomacorriente antes de intentar llevar a cabo cualquier actividad de mantenimiento o limpieza. El simple apagado de los controles no reducirá este riesgo.
- 1.11 **ADVERTENCIA: RIESGO DE GASES EXPLOSIVOS.**
 - a. RESULTA PELIGROSO TRABAJAR EN FORMA CERCANA A UNA BATERÍA DE PLOMO. LAS BATERÍAS GENERAN GASES EXPLOSIVOS DURANTE SU NORMAL FUNCIONAMIENTO. POR ESTE MOTIVO, RESULTA DE SUMA IMPORTANCIA QUE SIGA LAS INSTRUCCIONES CADA VEZ QUE UTILIZA EL CARGADOR.
 - b. Para reducir el riesgo de explosión de una batería, siga estas instrucciones y aquellas publicadas por el fabricante de la batería y por el fabricante de cualquier equipo que intente utilizar en la proximidad de la batería. Revise las pautas de precaución en estos productos y en el motor.

2. PRECAUCIONES DE SEGURIDAD PERSONAL

- 2.1 Considere la idea de que alguna persona se encuentre cerca suyo para poder ayudarlo cuando trabaje en forma cercana a una batería de plomo-ácido.
- 2.2 Cuente con una gran cantidad de agua potable y jabón a mano en caso de que el ácido de la batería tenga contacto con su piel, ropa u ojos.
- 2.3 Utilice protección visual y corporal completa, incluyendo gafas de seguridad y prendas de protección. Evite tocar sus ojos mientras trabaje en forma cercana a la batería.
- 2.4 Si el ácido de la batería tiene contacto con su piel o su ropa, lave de inmediato el área afectada con agua y jabón. En caso de que ingrese ácido en un ojo, sumerja el mismo de inmediato bajo agua potable corriente por al menos 10 minutos y obtenga atención médica en forma inmediata.

- 2.5 NUNCA fume o permita la presencia de chispas o llamas en la proximidad de una batería o motor.
- 2.6 Tenga especial cuidado para reducir el riesgo de dejar caer una herramienta de metal sobre la batería. Esto podría provocar chispas o un cortocircuito en la batería o en cualquier otra pieza eléctrica que podría provocar una explosión.
- 2.7 No utilice elementos personales de metal tales como anillos, pulseras, collares y relojes al trabajar con una batería de plomo-ácido. Una batería de plomo-ácido puede producir una corriente de cortocircuito lo suficientemente elevada como para soldar un anillo o provocar efectos similares sobre el metal, causando una quemadura de gravedad.
- 2.8 Utilice este cargador solamente para cargar baterías recargables de 6V y 12V de tipo PLOMO-ÁCIDO (estándar, AGM, GEL o ciclo-profundo). Este cargador no está destinado a suministrar energía a sistemas eléctricos de baja tensión más que en una aplicación de un motor de arranque. No utilice este cargador de batería para cargar baterías de pila seca que por lo general se utilizan con artefactos domésticos. Estas baterías podrían explotar y provocar lesiones a personas o daño a la propiedad.
- 2.9 NUNCA cargue una batería congelada.

3. PREPARACIÓN PARA LA CARGA

- 3.1 Si resulta necesario extraer la batería del vehículo para cargarla, siempre retire el terminal con descarga a tierra en primer lugar. Asegúrese de que todos los accesorios en el vehículo se encuentren apagados para evitar la formación de arcos eléctricos.
- 3.2 Asegúrese de que el área que rodea a la batería se encuentre bien ventilada mientras se carga la batería.
- 3.3 Limpie los terminales de la batería antes de cargar la batería. Durante la limpieza, evite que la corrosión producida por aire tenga contacto con sus ojos.
- 3.4 Agregue agua destilada a cada pila hasta que el ácido de la batería alcance el nivel especificado por el fabricante de la batería. No provoque derrames. En lo que concierne a baterías que no cuentan con tapas extraíbles para pilas, tales como baterías de plomo-ácido reguladas por válvulas (VRLA, por sus siglas en inglés), siga cuidadosamente las instrucciones de recarga del fabricante.
- 3.5 Lea, comprenda y siga todas las instrucciones para el cargador, la batería, el vehículo y cualquier equipo que se utilice cerca de la batería y el cargador. Controle todas las precauciones específicas establecidas por el fabricante de la batería al realizar la carga, así también como los índices de carga recomendados.
- 3.6 Determine la tensión de la batería al consultar el manual del usuario del vehículo y asegúrese de que el interruptor de selección de la tensión de salida se encuentre establecido en la tensión correcta (en su caso). Si el cargador posee un índice de carga ajustable, cargue la batería en el menor índice en primer lugar.

4. UBICACIÓN DEL CARGADOR

- 4.1 Ubique el cargador a la mayor distancia posible de la batería como lo permitan los cables de CC.
- 4.2 Nunca ubique el cargador directamente por encima de la batería que se carga; los gases de la batería corroerán y dañarán el cargador.
- 4.3 Nunca permita que el ácido de la batería gotee sobre el cargador al leer el peso específico del electrolito o al cargar la batería.
- 4.4 No utilice el cargador en un área cerrada o restrinja la ventilación en cualquier forma.
- 4.5 No ubique la batería encima del cargador.

5. PRECAUCIONES DE CONEXIÓN EN CC

- 5.1 Conecte y desconecte las pinzas de salida CC. sólo después de haber establecido todos los interruptores del cargador a la posición de "apagado" (si es aplicable) y de haber desconectado el enchufe de C.A. del tomacorriente eléctrico. Nunca junte las pinzas de batería cuando el cargador está conectado. Las pinzas están energizadas y pueden producir chispas.
- 5.2 Sujete las pinzas a la batería y al chasis, como se indica en en las secciones 6 y 7.

6. SIGA ESTOS PASOS CUANDO LA BATERÍA ESTÉ COLOCADA EN EL VEHÍCULO

ADVERTENCIA: UNA CHISPA PROVOCADA CERCA DE LA BATERÍA PUEDE CAUSAR LA EXPLOSIÓN DE LA BATERÍA. PARA REDUCIR EL RIESGO DE PROVOCAR CHISPAS CERCA DE LA BATERÍA:

- 6.1 Ubique los cables de CA y CC adecuadamente para reducir el riesgo de daños por la cubierta, la puerta y las piezas móviles o calientes del motor.
- 6.2 Manténgase alejado de las paletas del ventilador, correas, poleas y otras piezas que podrían provocar lesiones.
- 6.3 Verifique la polaridad de los bornes de la batería. El borne POSITIVO (POS, P, +) de la batería generalmente posee un diámetro mayor al borne NEGATIVO (NEG, N, -).
- 6.4 Determine qué borne de la batería hace descarga a tierra (se encuentra conectado) con el chasis. Si el borne negativo hace descarga a tierra con el chasis (como en la mayor parte de los vehículos), ver el paso (6.5). Si el borne positivo hace descarga a tierra con el chasis, ver el paso (6.6).
- 6.5 En un vehículo con descarga a tierra por borne negativo, conecte el gancho POSITIVO (ROJO) del cargador de batería al borne POSITIVO (POS, P, +) sin descarga a tierra de la batería. Conecte el gancho NEGATIVO (NEGRO) al chasis del vehículo o al bloque motor alejado de la batería. No conecte el gancho al carburador, líneas de combustible o cuerpos metálicos. Conecte a una pieza metálica de calibre grueso del marco o del bloque motor.
- 6.6 En un vehículo con descarga a tierra por borne positivo, conecte el gancho NEGATIVO (NEGRO) del cargador de batería al borne NEGATIVO (NEG, N, -) sin descarga a tierra de la batería. Conecte el gancho POSITIVO (ROJO) al chasis del vehículo o al bloque motor alejado de la batería. No conecte al carburador, líneas de combustible o cuerpos metálicos. Conecte a una pieza metálica de calibre grueso del marco o del bloque motor.

AL DESCONECTAR EL CARGADOR, APAGUE TODOS LOS INTERRUPTORES (EN SU CASO), DESCONECTE EL CABLE DE C.A., RETIRE EL GANCHO DEL CHASIS DEL VEHÍCULO Y LUEGO RETIRE EL GANCHO DEL TERMINAL PERTENECIENTE A LA BATERÍA.

- 6.7 Vea *Instrucciones de Operación* para duración de la carga.

7. SIGA ESTOS PASOS CUANDO LA BATERÍA SE ENCUENTRE FUERA DEL VEHÍCULO

ADVERTENCIA: UNA CHISPA PROVOCADA CERCA DE LA BATERÍA PUEDE CAUSAR LA EXPLOSIÓN DE LA BATERÍA. PARA REDUCIR EL RIESGO DE PROVOCAR CHISPAS CERCA DE LA BATERÍA:

- 7.1 Verifique la polaridad de los bornes de la batería. El borne POSITIVO (POS, P, +) de la batería generalmente posee un diámetro mayor al borne NEGATIVO (NEG, N, -).
- 7.2 Sujete al menos un cable aislado de batería de 24 pulgadas (61 cm) de largo con calibre 6 según el Calibre americano de cables (AWG, por sus siglas en inglés) al borne NEGATIVO (NEG, N, -) de la batería.
- 7.3 Conecte el gancho POSITIVO (ROJO) del cargador al borne POSITIVO (POS, P, +) de la batería.
- 7.4 Ubíquese junto con el extremo libre del cable que previamente sujetó al borne NEGATIVO (NEG, N, -) de la batería a la mayor distancia posible de la batería. Luego conecte el gancho NEGATIVO (NEGRO) del cargador al extremo libre del cable.
- 7.5 No se ubique en posición frontal a la batería al realizar la conexión final.
- 7.6 Al desconectar el cargador, siempre hágalo en forma inversa al procedimiento de conexión y realice la primera conexión tan lejos de la batería como sea posible.
- 7.7 Una batería marina (para barcos) se debe retirar y cargar en tierra. Para realizar una carga a bordo se necesitan equipamientos especialmente diseñados para uso marino.

8. CONEXIONES A TIERRA Y ENERGÍA DE CA

- 8.1 Este cargador de batería está destinado a un uso en un circuito con tensión nominal de 120 V y posee un enchufe con descarga a tierra. El cargador debe poseer una descarga a tierra para reducir el riesgo de descargas eléctricas. El enchufe se debe conectar a un tomacorriente adecuadamente instalado y que cuente con descarga a tierra de acuerdo con todas las ordenanzas y códigos. Los pasadores del enchufe deben adaptarse al receptáculo (tomacorriente). No utilizar con un sistema que no posea descarga a tierra.
- 8.2 **PELIGRO:** Nunca altere el cable o enchufe de C.A. suministrado, si no se ajusta al tomacorriente, haga instalar un tomacorriente adecuado con descarga a tierra por medio de un electricista capacitado. Una conexión inadecuada puede provocar un riesgo de descarga eléctrica o electrocución.

NOTA: De acuerdo a las Leyes Canadienses, el uso de un enchufe adaptador no es permitido en el Canada. El uso de un enchufe como adaptador no se recomienda y no debe ser utilizado Estados Unidos.

8.3 USO DE UN CABLE DE EXTENSIÓN

El uso de una extensión no se recomienda. Si debe usar una extensión, siga estas pautas:

- Las clavijas del enchufe del cable de extensión debe ser el mismo número, tamaño y forma que las del enchufe del cargador.
- Asegúrese de que el cable de extensión esté conectado correctamente y en buenas condiciones eléctricas.
- El tamaño del cable debe ser lo suficientemente extenso para el calibre de amperios del cargador de CA, como se especifica a continuación:

Longitud del cable (pies)	25	50	100	150
Calibre del cable AWG*	10	10	10	8

*AWG-American Wire Gauge

9. INSTRUCCIONES DE MONTAJE

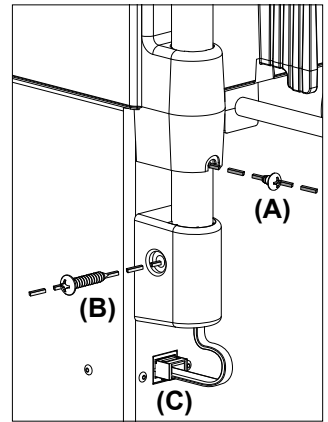
9.1 Es importante ensamblar por completo el cargador antes de utilizar. Desenrede todos los cordones y extienda los cables antes de usar el cargador de baterías. Siga estas instrucciones para el montaje.

Piezas incluidas
(2) #8 x 0.25" tornillos (A)
(2) #10 x 1.0" tornillos (B)
(1) mango
Herramientas necesarias
Destornillador – Phillips (no incluido)

9.2 **Fijar el mango:** Coloque cada extremo del mango en su soporte, alineando con los agujeros de los tornillos. Introduzca los tornillos como se muestra. Enchufe el cable en el puerto, como se muestra (C).

IMPORTANTE: El puerto es SÓLO para conectar el mango del cargador. No es compatible con ningún otro equipo.

ATENCIÓN: Tenga cuidado de no pellizcar o daños en el cable durante la instalación del mango. El cargador no funcionará correctamente si este cable está dañado.



10. PANEL DE CONTROL

PANTALLA DIGITAL

La pantalla digital indica la condición de la batería y el cargador. Vea la sección *Muestra de Mensajes* para obtener una lista completa de los mensajes.

NOTA: Durante la carga, la pantalla entra en el modo de suspensión y no se mostrará el porcentaje de batería, porcentaje de alternador o la tensión. Para activar la pantalla, pulse el botón de pantalla.

BOTÓN DE MODO DE PANTALLA

Utilice este botón para ajustar la función de la pantalla digital a uno de los siguientes:

Porcentaje de batería – La pantalla digital muestra un porcentaje de carga estimado de la batería conectada a las pinzas de batería pertenecientes al cargador.

Porcentaje de alternador (12V solamente) – La pantalla digital muestra un porcentaje de salida estimado del sistema de carga del vehículo conectado a las pinzas de batería pertenecientes al cargador, en comparación con un sistema de funcionamiento adecuado. La gama ciento alternador es de 0 a 100%. Lecturas por debajo de 0 (13,2 voltios) leerán **LOW** y lecturas por encima del 100% (14,6 voltios) leerá **HIGH**. Si obtiene una lectura **HIGH** o **LOW**, tiene el sistema eléctrico revisado por un técnico cualificado.

Tensión – La pantalla digital muestra la tensión en los ganchos de batería pertenecientes al cargador en volts de CC.

BOTÓN DE SELECCIÓN DE VELOCIDAD

Utilice este botón para establecer una de las siguientes selecciones.

CARGA/MANTENIMIENTO 6<>2A – Para la carga de baterías pequeñas y grandes. **No se recomienda para aplicaciones industriales.**

IMPULSAR – Para la incorporación rápida de la energía a una batería muy descargada o de gran capacidad antes de arrancar el motor. La unidad cambiará automáticamente a 6A<>2A Carga/Mantenimiento después de la operación de Impulsar ha completado.

ARRANQUE DEL MOTOR 6V o 12V – Proporcionar amplificadores adicionales para el arranque de un motor con una débil o agotado la batería. Siempre utilice en combinación con una batería.

NOTA: Un vez que el cargador ha comenzado a cargar la batería, si presiona el botón de Selección de Velocidad una vez, la corriente de salida se apaga y la pantalla mostrará **OFF** (Apagado) y después el voltaje de la batería. Si pulsa el botón de Rate Selection (selección de velocidad) de nuevo, la corriente pasará de nuevo en el mismo ajuste que estaba cuando se apagó.

INDICADORES LED

PINZAS INVERTIDAS (rojo) parpadea: Las conexiones están inversas.

CARGA/IMPULSAR (amarillo/naranja) encendido: El cargador está conectado y la batería está recibiendo alimentación.

CARGADO/MANTENIMIENTO (verde) encendido: La carga de la batería está completa y que el cargador cambió a modo mantener.

NOTA: Consulte la sección *Instrucciones de Operación* para obtener una descripción completa de los modos del cargador.

BOTÓN DE TIPO DE BATERÍA

Utilice este botón para establecer el tipo de batería.

Estándar – Se utiliza en automóviles, camiones y motocicletas, este tipo de baterías cuentan con tapas de ventilación y a menudo se las clasifica como de “bajo mantenimiento” o “libre de mantenimiento”. Este tipo de baterías está diseñado para suministrar rápidas ráfagas de energía (tales como los arranques de motores) y poseen un mayor recuento en placa. Las placas asimismo serán más delgadas y poseerán una composición de materiales algo diferente. Las baterías regulares no se deben utilizar en aplicaciones de ciclo profundo.

AGM – La construcción de la malla de fibra de vidrio absorbente permite la suspensión del electrolito en extrema proximidad con el material activo de la placa. En teoría, esto aumenta tanto la eficiencia de la descarga como de la recarga. Las baterías AGM constituyen una variedad de las baterías Selladas VRLA (de plomo-ácido reguladas por válvula). Entre sus usos más comunes se encuentran baterías con arranque de motor de alto rendimiento, para deportes intensos, de ciclo profundo, solares y de acumuladores.

GEL – El electrolito en una celda de gel de sílice tiene un aditivo que hace que se configura o endurecer. Los voltajes de recarga de este tipo de células son más bajos que los de los otros estilos de la batería de plomo-ácido. Ésta es probablemente la célula más sensible en términos de las reacciones adversas a la carga de sobretensión. Las baterías de gel son los más utilizados en aplicaciones de ciclos MUY PROFUNDOS y puede durar un poco más en aplicaciones en clima caliente. Si el cargador de baterías incorrecto se utiliza con una batería de celda de gel, bajo rendimiento y el fracaso prematuro como resultado.

INTERRUPTORES DE PALANCA

Estos se encuentran en la base de la unidad.

INTERRUPTOR SELECTOR DE VOLTAJE – Seleccione 6V o 12V.

INTERRUPTOR DE ENCENDIDO / APAGADO – Utilice este interruptor para seleccionar entre el velocidad de la Cargar/Mantener, el velocidad de Boost o el modo de Arranque del Motor.

OFF – Cuando el interruptor se encuentra en esta posición (en el centro), el cargador se apaga.

IMPULSAR o CARGA/MANTENIMIENTO – Cuando el interruptor se encuentra en esta posición, el botón de selección de velocidad se puede ajustar a la 6A <> 2A Carga/Mantenimiento o la configuración de Impulsar.

ARRANQUE DEL MOTOR – Utilice esta posición para el modo de arranque del motor. Cuando el interruptor se encuentra en esta posición, el LED Arranque del motor se iluminará.

11. INSTRUCCIONES DE OPERACIÓN

ADVERTENCIA: Una chispa provocada cerca de la batería puede causar una explosión.

IMPORTANTE: No arranque el vehículo con el cargador conectado a la toma de CA, o puede resultar en daños al cargador.

NOTA: Este cargador está equipado con un auto-rectificador. La corriente no llegará a las pinzas de la batería hasta que la batería Las pinzas no harán corto si se juntan una con otra.

CARGA DE LA BATERÍA EN EL VEHÍCULO

1. Apague todos los accesorios del vehículo.
2. Mantenga el cofre abierto.
3. Limpie las terminales de la batería.
4. Coloque el cargador sobre una superficie seca y no inflamable.
5. Coloque los cables de CA / CC lejos de las aspas del ventilador, bandas, poleas y otras partes móviles.
6. Asegúrese de que el interruptor ON / OFF está ajustado en OFF.
7. Conectar la batería según las instrucciones que indicadas en las secciones 6 y 7.
8. Conecte el cargador a la toma de corriente.
9. Con el cargador enchufado y conectado a la batería del vehículo, ponga el interruptor ON / OFF a la posición Impulsar o de Carga/Mantenimiento.
10. Seleccione el tipo de batería y la velocidad deseada. Carga comenzará automáticamente. Vea la sección 12 para los detalles del mensaje **CHARGING**.
11. El LED Carga/Impulsar amarillo / naranja se iluminará, y la pantalla mostrará **ANALYZING BATTERY** mientras el cargador determina que la batería esté conectada correctamente y el estado de la batería.
12. Cuando la carga está completa, pulse el interruptor ON / OFF para apagar, desconecte el cargador de la alimentación de CA, retire la pinza del chasis del vehículo y quite la pinza de la terminal de la batería.

CARGA DE LA BATERÍA FUERA DEL VEHÍCULO

1. Coloque la batería un área bien ventilada.
2. Limpie las terminales de la batería.
3. Asegúrese de que el interruptor ON / OFF está ajustado en OFF.
4. Conectar la batería según las instrucciones que indicadas en las secciones 6 y 7.
5. Conecte el cargador a la toma de corriente.
6. Con el cargador enchufado y conectado a la batería del vehículo, ponga el interruptor ON / OFF a la posición Impulsar o de Carga/Mantenimiento.
7. Seleccione el tipo de batería y la velocidad deseada. Carga comenzará automáticamente. Vea la sección 12 para los detalles del mensaje **CHARGING**.
8. El LED Carga/Impulsar amarillo / naranja se iluminará, y la pantalla mostrará **ANALYZING BATTERY** mientras el cargador determina que la batería esté conectada correctamente y el estado de la batería.
9. Cuando la carga está completa, pulse el interruptor ON / OFF para apagar, desconecte el cargador de la corriente AC, desconecte la pinza negativa, y por último la pinza positiva.
10. Una batería marina (de barco) se debe retirar y cargar en tierra.

TIEMPOS DE CARGA

APLICACIÓN	TAMAÑO DE LA BATERÍA	TIEMPO DE CARGA (Horas)			
		2A	6A	8A	10A
POWERSPORTS ↓	6Ah	6	2	1,75	1,5
	32Ah	15	5	4,5	4
AUTOMOTOR ↓	300 CCA	12	4	3,5	3
	1000 CCA	30	10	8,5	7
MARINA	50Ah	15	5	4,25	3,5
	105Ah	33	11	9,5	8

Los tiempos están basados en un 50% descargada batería y pueden cambiar, dependiendo de la edad y la condición de la batería.

MODO DE CARGA AUTOMÁTICA

Cuando se realiza una carga automática, el cargador cambia del maintain mode (modo de mantenimiento) automáticamente después que la batería se cargue.

INDICADOR DE CONEXIÓN DE LA BATERÍA

Si el cargador no detecta una batería conectada correctamente, la carga no se iniciará y la pantalla digital mostrará uno de los dos mensajes. Si la pantalla muestra **CONNECT CLAMPS**, asegúrese de que el cargador está conectado a la batería y las puntas de conexión están limpias y hacen una buena conexión. Si la pantalla muestra **WARNING CLAMPS REVERSED**, desenchufe el cargador de la toma de corriente, invierta las conexiones de la batería y luego conecte el cargador de nuevo.

FINALIZACIÓN DE LA CARGA Y MODO DE MANTENIMIENTO (MONITOREO A MODO DE FLOTE)

La carga completa se señala mediante el LED verde está encendido y la pantalla digital que muestra **FULLY CHARGED AUTO MAINTAINING**. Esto significa que el cargador ha dejado de cargar y ha cambiado el funcionamiento al Modo de Mantener. **NOTA:** Si el cargador tiene que funcionar al máximo en corriente continua de mantenimiento a un periodo de 12 horas, se trasladará al Modo de Anulada (véase la sección *Carga Anulada*). Esto es ocasionalmente causado por una pérdida de energía en la batería o la batería está dañada. Asegúrese que no escape de carga en la batería y si la hay evítela, en caso contrario, verifique o reemplace la batería.

MANTENIENDO UNA BATERÍA

La unidad carga y mantiene las baterías de 6 y 12 voltios, mantenerlos a carga completa.

NOTA: La tecnología de modo de mantenimiento le permite cargar de forma segura y mantener una batería en buen estado durante largos periodos de tiempo. Ahora, los problemas con la batería, problemas eléctricos del vehículo, conexiones equivocadas u otras condiciones que surgan, podrían causar absorción de corriente excesiva. De modo que, ocasionalmente seguimiento de su batería y el proceso de carga se requiere.

MODO DE DESULFATACIÓN

Si la batería está descargada por un periodo de tiempo prolongado, podría sulfatarse y no aceptar una carga normal. Si el cargador detecta una batería sulfatada, el cargador se cambiará a un modo especial de operación diseñado para este tipo de baterías. Si tiene éxito, la carga normal se reanudará después de que la batería está desulfatada. La desulfuración puede durar hasta 8 horas. Si la desulfuración falla, la carga se abortará y la pantalla mostrará **CHARGING ABORTED BAD BATTERY**.

CARGA ANULADA

Si no se puede completar la carga normalmente, la carga se anulará. Cuando la carga se interrumpe, la salida del cargador se apaga y la pantalla mostrará **CHARGING ABORTED BAD BATTERY**. No continúe tratando de cargar esta batería. Compruebe la batería y reemplazar si es necesario.

UTILIZAR LA FUNCIÓN DE ENCENDIDO DE MOTOR

El cargador de batería se puede utilizar para impulsar el auto si la batería está baja. Siga todas las instrucciones y precauciones de seguridad en la carga de la batería. Use protección completo de los ojos y la ropa de protección.

¡**ADVERTENCIA:** Utilizando la función de Arranque del Motor SIN la batería instalada en el vehículo, dañará el sistema eléctrico!

NOTA: Si usted ya ha cargado la batería y aún no arranca el auto, no utilice la opción de arranque, porque esto podría dañar el sistema eléctrico del vehículo. Haga revisar la batería.

1. Ajuste el interruptor ON/OFF a la posición OFF (apagado).
2. Con el cargador desenchufado del tomacorriente de CA, conecte el cargador a la batería siguiendo las instrucciones que figuran en la sección *Siga Estos Pasos Cuando La Batería Esté Colocada En El Vehículo*.
3. Con el cargador enchufado y conectado a la batería y chasis, pulse el interruptor ON / OFF para Arranque del Motor y luego pulse el botón de Selección de Velocidad hasta que se encienda el LED Arranque del Motor .
4. Cuando la pantalla muestra **ENGINE START READY**, déle arranque al motor hasta que se ponga en marcha o que pasen 3 segundos. Si el motor no arranca espere 3 minutos (hasta la pantalla muestre **ENGINE START READY**) antes de intentarlo de nuevo. Esto permite al cargador y la batería que se enfríen. **NOTA:** Bajo clima frío extremo o si la batería es inferior a 2 volts, cargue la batería por 5 minutos antes de poner en marcha el motor.

- Si el motor no arranca, utilice el ajuste Impulsar por 5 minutos antes de darle arranque nuevamente.
- Después de que el motor se puso en marcha, pulse el interruptor ON / OFF para apagar, desenchufe el cable de alimentación de CA antes de desconectar las pinzas de la batería del vehículo.

NOTA: Si el motor gira, pero no enciende, no existe un problema con el sistema de arranque, sino en cualquier otra parte del vehículo. DEJE de darle arranque al motor hasta que el otro problema se diagnostique y se corrija.

NOTAS SOBRE EL ARRANQUE DEL MOTOR

En la secuencia de arranque que figura anteriormente el cargador se configura en uno de estos tres estados:

- Esperar para dar arranque** – El cargador espera hasta que se le de arranque al motor antes de suministrarle amperes para que arranque, y se volverá a establecer si el motor no arranca a los 15 minutos. (Si el cargador se vuelve a configurar, se configura solo con el arranque predeterminado). A la espera de arranque, la pantalla digital muestra el porcentaje cargado de la batería (no se puede ajustar a la tensión). Después de 5 segundos, la pantalla cambiará a **ENGINE START READY**. Mientras espera que se ponga en marcha, la pantalla digital muestra **ENGINE START READY**.
- Dar arranque** – Cuando el cargador detecta que se está dando arranque automáticamente dará la potencia máxima que se requiere para el sistema de arranque hasta 5 segundos o hasta que el intento de arranque se detenga. La pantalla digital muestra una cuenta regresiva del tiempo de arranque restante.
- Enfriar** – Después de la puesta en marcha, el cargador entra en un estado de enfriamiento obligatorio de 3 minutos (180 segundos). La pantalla digital mostrará **ENGINE START COOL DOWN XXX SECONDS REMAINING**. La cuenta regresiva comienza en 180 y llega hasta 0. Después de 3 minutos, la pantalla digital cambiará de mostrar la cuenta a mostrar **ENGINE START READY**. El LED Carga/Impulsar (amarillo /naranja) se encenderá.

UTILIZAR EL PROBADOR DE TENSIÓN DE BATERÍA

- Con el cargador desenchufado del tomacorriente de CA, conecte el cargador a la batería siguiendo las instrucciones que figuran en las secciones anteriores.
- Enchufe el cable de alimentación de CA del cargador al tomacorriente de CA.
- Coloque el interruptor ON / OFF para Impulsar / Carga / Mantenimiento. No elija un velocidad con el botón de Selección de Velocidad.
- Si fuera necesario, presione el botón Tipo de Batería hasta que el tipo correcto se indique.
- Lea la tensión de la pantalla digital. Tenga en cuenta que esta lectura es solamente una lectura de la tensión de la batería, una falsa carga de superficie podría engañarlo. Compare la lo mostrado con la siguiente gráfica.

Indicación de Voltaje de batería de 6V	Indicación de Voltaje de batería de 12V	Condición de la batería
6,4 o más	12,8 o más	Cargada
6,1 a 6,3	12,2 a 12,7	Necesita ser cargada
Menos de 6,1	Menos de 12,2	Descargada

PROBADOR Y CARGADOR

Cuando se enciende por primera vez, la unidad funciona sólo como probador, no como cargador. Al seleccionar el índice de carga active el cargador de la batería y desactive el probador. Si presiona el botón Selección de Velocidad cuando el LED Arranque del Motor está encendido (excepto durante los 180 segundos de enfriamiento) cerrará el cargador y activará el probador.

ENCENDER EL LÍMITE DE TIEMPO DE INACTIVIDAD

Si no botón se presiona dentro de los 10 minutos después de que el cargador de batería se encendió por primera vez, el cargador automáticamente cambiará de probador a cargador si la batería está conectada. En ese caso, el cargador se ajustará a la selección de velocidad de 2A Carga y el tipo de batería Gel.

PROBADOR SIN LÍMITE DE TIEMPO

Si el botón Modo de Pantalla o Tipo de Batería se presiona dentro de los primeros 10 minutos después de que el cargador de batería se encendió, la unidad permanecerá como probador (no cargador) indefinidamente, a menos que se seleccione un índice de carga.

PROBAR DESPUÉS DE CARGAR

Después de que la unidad ha sido cambiada de probador a cargador (seleccionando un índice de carga) permanece como cargador. Para cambiar el cargador de la batería de nuevo a probador presione el botón Selección de Velocidad hasta que el LED del índice de carga se apague.

NOTA: El probador de batería solo está diseñado para probar baterías. La prueba de un dispositivo con un voltaje que cambie rápidamente podría arrojar resultados inesperados o imprecisos.

UTILIZACIÓN DE UN PROBADOR DE RENDIMIENTO DEL ALTERNADOR

1. Con el cargador desenchufado del tomacorriente de CA, conecte el cargador a la batería siguiendo las instrucciones que figuran en las secciones anteriores.
2. Enchufe el cable de alimentación de CA del cargador al tomacorriente de CA.
3. Coloque el interruptor ON / OFF para Impulsar / Carga / Mantenimiento. No elija un velocidad con el botón de Selección de Velocidad.
4. Arranque el vehículo, acelere el motor a 2000 rpm durante 30 segundos y encienda las luces delanteras u otros accesorios.
5. Lea la tensión de la pantalla digital. Si usted obtiene una lectura de entre 13,4 volts y 14,6 volts, el alternador está trabajando propiamente. Si la lectura es menor a los 13,4 voltios o más de 14,6 volts, pida que el sistema de carga sea supervisado por un técnico calificado.

NOTA: Consulte el manual del propietario de su vehículo para obtener los números de tensión adecuados para el alternador.

FUNCIONAMIENTO DEL VENTILADOR

Es normal que el ventilador para iniciar y detener cuando el mantenimiento de una batería completamente cargada. El ventilador no funciona en el Modo de Probador. Mantenga el área cerca de la carga libre de obstáculos, para permitir que el ventilador funcione de manera eficiente.

REINICIO

Si el modo de carga se cambia después de carga se ha iniciado (pulsando Selección de Velocidad o el botón Tipo de Batería) el proceso de carga se reiniciará.

12. MUESTRA DE MENSAJES

CONNECT CLAMPS (LED Tensión encendido) – Conectado a la toma de CA sin las pinzas conectadas a la batería de 6 o 12V.

WARNING CLAMPS REVERSED (rojo LED encendido) – Conectado a la toma de CA y las pinzas conectadas en forma inversa. Pergaminos hasta que condición sea corregida.

ANALYZING BATTERY (amarillo / naranja LED encendido) – Conectado a la toma de CA, y la primera vez que conecta a una batería de 6 o 12V correctamente.

CHARGING 6V – XX% (amarillo / naranja LED encendido) – Conectado a la toma de CA y correctamente conectado a una batería de 6V descargada.

CHARGING 12V – XX% (amarillo / naranja LED encendido) – Conectado a la toma de CA y correctamente conectado a una batería de 12V descargada.

FULLY CHARGED AUTO MAINTAINING (verde LED encendido) – Conectada a la toma de CA y correctamente conectado a una batería completamente cargada 6 o 12V.

CHARGING ABORTED BAD BATTERY (Amarillo / naranja LED intermitente) – Las circunstancias que pueden causar una situación de abortar durante la carga:

- La batería está muy sulfatada o tiene una celda en corto y no se puede alcanzar una carga completa.
- La batería es demasiado grande o hay un banco de baterías y no alcanza la carga completa en un período de tiempo establecido.

Las circunstancias que pueden causar una situación de abortar durante mantienen:

- La batería está muy sulfatada o tiene una célula débil y no mantener la carga.
- Hay un gran sorteo de la batería y el cargador tiene que suministrar su máximo mantener vigente durante un período de 12 horas para mantener la batería a plena carga.

ENGINE START READY (LED Tipo de Batería encendido) – El cargador está listo para arrancar el motor.

ENGINE START COOL DOWN XXX SECONDS REMAINING (LED Tipo de Batería encendido) – El cargador ha entrado en un 3 minutos obligatoria (180 segundos) estado de enfriamiento.

13. MANTENIMIENTO Y CUIDADO

Con cuidados mínimos puede mantener el cargador de baterías funcionando correctamente durante años.

- Limpie las pinzas cada vez que termine de usar el cargador. Limpie el fluido de la batería que podría haber estado en contacto con las pinzas para evitar la corrosión.
- De vez en cuando, limpie la carcasa del cargador con un paño suave para conservar el acabado brillante y evitar la corrosión.
- Enrolle los cables de entrada y salida cuidadosamente cuando almacene el cargador. Esto ayudará a evitar daños accidentales a los cables y el cargador.
- Guarde el cargador desenchufado de la toma de alimentación de CA en posición vertical.
- Almacene en el interior, en un lugar fresco y seco. No guarde las pinzas en el mango, unidas con un clip, en o alrededor del metal, o sujeta a los cables.

14. LOCALIZACIÓN Y RESOLUCIÓN DE PROBLEMAS

PROBLEMA	CAUSA POSIBLE	SOLUCIÓN
El cargador no se enciende incluso al estar bien conectado.	Tomacorriente de CA fuera de funcionamiento. Mala conexión eléctrica. Batería defectuosa.	Controle la posible presencia de fusibles abiertos o disyuntores que suministren energía al tomacorriente de CA. Controle la posible pérdida del enchufe perteneciente a los cables de alimentación o al alargador. Haga revisar la batería.
Tres luces LED encienden por 2 segundos, después se apagan.	El cargador se conecta al tomacorriente de CA.	No hay problema; es una condición normal.
Las pinzas de la batería no hacen corto al juntarse una con otra.	Este cargador está equipado con un auto-rectificador. Este no permitirá paso de corriente si las pinzas de la batería no están conectadas en forma correcta. Significado, las pinzas no harán corto si se juntan una con otra.	No hay problema; es una condición normal.
La batería se encuentra conectada y el cargador encendido, pero no carga.	El cargador está en el modo probador, no el de carga.	Presione el botón RATE SELECTION para activar el modo de carga y seleccione la velocidad de carga.
No hay lectura en la pantalla digital.	El cargador no está enchufado. No hay corriente en el receptáculo.	Enchufe el cargador a una toma de CA. Verifique que el fusible o interruptor de circuito abierto suministrando toma de CA.
Pantalla Digital lea LOW al probar el alternador.	La salida del alternador es de 13,2 voltios o menos.	Tener el sistema eléctrico revisado por un técnico cualificado.
Pantalla Digital lea HIGH al probar el alternador.	La salida del alternador es de 14,6 voltios o más.	Tener el sistema eléctrico revisado por un técnico cualificado.
El amarillo / naranja LED está encendido y la pantalla muestra ANALYZING BATTERY .	El cargador tiene que comprobar el estado de la batería.	El LED verde se iluminará cuando el cargador está comprobando el estado de la batería.

PROBLEMA	CAUSA POSIBLE	SOLUCIÓN
La pantalla muestra CHARGE ABORTED BAD BATTERY.	La batería está sulfatada. La batería es demasiado grande para el cargador.	No continúe intentando cargar esta batería. Revise la batería y reemplácela si es necesario. Usted necesita un cargador con una velocidad amperios más alta.
La pantalla muestra CONNECT CLAMPS.	Las pinzas no hacen buena conexión.	Revise la conexión falsa a la batería y la carrocería.
Ciclo reducido o sin inicio al arrancar el motor.	No hay electricidad en el tomacorriente. Cable de CA o alargador suelto. Las pinzas no se encuentran bien conectados. No espera 3 minutos (180 segundos) entre los arranques. La batería podría encontrarse severamente descargada. Consumo mayor a el índice de arranque del motor. El cargador podría encontrarse en estado de recalentamiento.	Verifique la posible presencia de fusibles abiertos o disyuntores que suministren energía al tomacorriente de CA. Verifique la posible pérdida del enchufe perteneciente a los cables de alimentación o al alargador. Verifique la posible presencia de una conexión defectuosa en la batería y en el bastidor. Aguarde 3 minutos en tiempo de descanso antes del próximo arranque. En una batería muy descargada, utilice la velocidad de Impulsar durante 10 a 15 minutos, para a ayudar en el arranque. El tiempo de arranque varía según la cantidad de corriente consumida. Si el arranque consume más el índice de arranque del motor, el tiempo de arranque podría ser menor a 3 segundos. El protector térmico podría encontrarse desconectado y necesitar un mayor tiempo de descanso. Asegúrese de que los ventiladores del cargador no se encuentren bloqueados. Aguarde un momento y pruebe nuevamente.
El LED Impulsar parpadea.	El cargador se deja en el modo Boost durante un período prolongado de tiempo.	El LED Impulsar parpadeará durante 30 minutos y luego se apaga, y el LED Carga/Impulsar se iluminará, indicando que el cargador ha cambiado al modo de carga.
La luz LED Impulsar apaga.	Se ha completado el modo Impulsar.	Esto es normal. El cargador cambiará automáticamente al modo de carga para cargar completamente la batería. También puede presionar el botón Selección de Velocidad y seleccione la velocidad de 6A<->2A Carga/ Mantenimiento o Arranque del Motor.

15. ANTES DE DEVOLVER A REPARACIONES

Para REPARACIONES O DEVOLUCIONES, visite 365rma.com

Visite batterychargers.com para obtener piezas de repuesto.

16. GARANTÍA LIMITADA

Para obtener información sobre nuestra garantía limitada de un año, visite batterychargers.com o llame al 1-800-621-5485 para solicitar una copia.

Visite nuestra página en batterychargers.com para registrar su producto en línea.

Chargeur de batterie automatique

MANUEL D'UTILISATION



LISTED
106-2
106-3

GARDER LE MANUEL D'INSTRUCTION ET LISEZ LE AVANT CHAQUE UTILISATION.

Ce manuel explique comment utiliser le chargeur de batterie d'une façon sécuritaire et efficace. S'il vous plaît lisez et suivez ces instructions et précautions.

1. CONSIGNES DE SÉCURITÉ IMPORTANTES – CONSERVER CES INSTRUCTIONS

- 1.1 **CONSERVER CES INSTRUCTIONS** – Ce manuel contient des instructions importantes concernant la sécurité et le fonctionnement.
- 1.2 Ne pas laisser à la portée des enfants.
- 1.3 Ne pas exposer le chargeur à la pluie ou la neige.
- 1.4 N'utilisez que les accessoires recommandés. L'utilisation d'accessoires non recommandés ou vendus par le fabricant du chargeur de batterie peut engendrer un risque d'incendie, un choc électrique ou des blessures.
- 1.5 Pour réduire le risque d'endommager le cordon électrique, tirez sur la prise plutôt que sur le cordon quand vous débranchez le chargeur.
- 1.6 Une rallonge ne devrait pas être utilisée sauf en cas de nécessité absolue. L'utilisation d'une rallonge inadéquate peut causer un risque de feu ou de choc électrique. Si vous devez utiliser une rallonge assurez-vous que :
 - Que les broches sur la prise de la rallonge sont du même nombre, de la même taille et forme que celles de la prise du chargeur.
 - Que la rallonge est bien câblée et en bonne condition électrique.
 - Que la taille du câble est assez grosse pour le taux d'intensité CC du chargeur comme spécifiée dans le section 8.
- 1.7 Ne pas faire fonctionner le chargeur avec un cordon ou une prise endommagé – remplacer immédiatement.
- 1.8 Ne pas faire fonctionner le chargeur s'il a reçu un choc violent, est tombé par terre ou a été endommagé d'une autre façon; apportez-le à un technicien qualifié.
- 1.9 Ne pas démonter le chargeur; apportez-le chez un technicien qualifié quand vous devez l'entretenir ou le réparer. Un mauvais remontage pourrait causer un risque d'incendie ou de choc électrique.
- 1.10 Pour réduire le risque de choc électrique, débranchez le chargeur de la prise murale avant de faire tout entretien ou nettoyage. Le fait de simplement éteindre l'appareil ne réduira pas les risques.
- 1.11 **AVERTISSEMENT : RISQUE DE GAZ EXPLOSIFS.**
 - a. IL EST DANGEREUX DE TRAVAILLER A PROXIMITÉ D'UNE BATTERIE AU PLOMB. LES BATTERIES PRODUISENT DES GAZ EXPLOSIFS EN SERVICE NORMAL. IL EST AUSSI IMPORTANT DE TOUJOURS RELIRE LES INSTRUCTIONS AVANT D'UTILISER LE CHARGEUR ET DE LES SUIVRE À LA LETTRE.
 - b. Pour réduire le risque d'explosion de la batterie, suivez ces directives et celles publiées par le fabricant de la batterie et du fabricant de tout autre appareil que vous pensez utiliser au voisinage de la batterie. Examinez les avertissements inscrits sur ces produits et sur le moteur.

2. MESURES DE SÉCURITÉ PERSONNELLE

- 2.1 Considérez d'être assez proche d'une personne quand vous travaillez près d'un accumulateur au plomb pour qu'elle puisse venir à votre aide en cas d'urgence.
- 2.2 Ayez assez d'eau fraîche et du savon à proximité au cas où votre peau, vos yeux ou vos habits viendraient en contact avec l'acide de la batterie.
- 2.3 Portez une protection complète des yeux et du corps, comprenant des lunettes de sécurité et des vêtements protecteurs. Évitez de toucher vos yeux quand vous travaillez près de la batterie.
- 2.4 Si l'acide de la batterie rentre en contact avec votre peau ou vos vêtements, lavez l'endroit immédiatement avec de l'eau et du savon. Si l'acide entre dans vos yeux, rincez immédiatement l'œil avec de l'eau froide coulante pour au moins 10 minutes puis allez voir le médecin aussitôt.
- 2.5 NE JAMAIS fumer ou allumer des flammes à proximité de la batterie ou du moteur.

- 2.6 Soyez extra prudent pour réduire le risque de laisser tomber un outil en métal sur la batterie. Ça pourrait faire une étincelle ou produire un court-circuit à la batterie ou à d'autres parties électriques et pourrait produire une explosion.
- 2.7 Enlevez vos objets personnels en métal comme les bagues, les bracelets, les colliers et les montres quand vous travaillez avec une batterie d'accumulateurs au plomb. Une batterie d'accumulateurs au plomb peut produire un court-circuit thermique assez fort pour souder une bague ou autre chose du même genre au métal, causant de graves brûlures.
- 2.8 Utilisez le chargeur pour les batteries rechargeables 6V et 12V au PLOMB-ACIDE (STD, AGM, GEL ou cycle profond). Il n'est pas conçu pour alimenter un système électrique à basse tension autre que dans une application d'un démarreur. Ne pas utiliser ce chargeur de batterie pour recharger des piles sèches qui sont utilisées en électroménager. Ces piles peuvent exploser et causer des blessures et des dommages matériels.
- 2.9 NE JAMAIS charger une batterie gelée.

3. PRÉPARATION POUR LE CHARGEMENT

- 3.1 S'il est nécessaire de retirer la batterie du véhicule pour la charger, toujours débrancher la borne de mise à la masse en premier. S'assurer que le courant aux accessoires du véhicule est coupé afin d'éviter la formation d'un arc.
- 3.2 Assurez-vous que la zone autour de la batterie est bien ventilée quand la batterie est en chargement.
- 3.3 Nettoyer les bornes de la batterie avant de charger. Lors du nettoyage, ne laissez pas les particules de corrosion entrer en contact avec vos yeux.
- 3.4 Ajoutez de l'eau distillée dans chaque élément de batterie jusqu'à que le niveau d'acide atteigne celui spécifié par le fabricant de la batterie. Ne pas faire déborder. Pour une batterie dont les éléments n'ont pas de bouchons, comme les « VRLA » (accumulateur au plomb – acide à régulation par soupape) suivez attentivement les directives de chargement du fabricant.
- 3.5 Étudiez toutes les précautions spécifiques du fabricant de la batterie pour le chargement et les taux de charge recommandés.
- 3.6 Si le chargeur comporte un sélecteur de tension de sortie, consulter le manuel de l'utilisateur de la voiture pour déterminer la tension de la batterie et pour s'assurer que la tension de sortie est appropriée. Si le chargeur n'est pas muni d'un sélecteur, ne pas utiliser le chargeur à moins que la tension de la batterie ne soit identique à la tension de sortie nominale du chargeur.

4. EMBLACEMENT DU CHARGEUR

- 4.1 Placez le chargeur aussi loin que possible de la batterie que les câbles CC le permettent.
- 4.2 Ne jamais placer le chargeur directement sous la batterie à charger. Les gaz ou les fluides qui s'échappent de la batterie peuvent entraîner la corrosion du chargeur ou l'endommager.
- 4.3 Ne jamais laisser l'électrolyte de la batterie s'écouler sur le chargeur lors de l'analyse hydrométrique ou en remplissant la batterie.
- 4.4 Ne pas faire fonctionner le chargeur dans un espace clos et/ou ne pas gêner la ventilation.
- 4.5 Ne pas poser la batterie sur le chargeur.

5. PRÉCAUTIONS SUR LA CONNEXION C.C.

- 5.1 Mettre les interrupteurs du chargeur hors circuit et retirer le cordon c.a. de la prise avant de mettre et d'enlever les pinces du cordon C.C. S'assurer que les pinces ne se touchent pas. Les clips peuvent être activés et peuvent déclencher.
- 5.2 Attachez les pinces à la batterie et au châssis, comme indiqué dans les sections 6 et 7.

6. ÉTAPES À SUIVRE QUAND LA BATTERIE EST INSTALLÉE DANS UN VÉHICULE

**AVERTISSEMENT : UNE ÉTINCELLE PRÈS DE BATTERIE PEUT CAUSER SON EXPLOSION.
POUR RÉDUIRE LES RISQUES D'ÉTINCELLE PRÈS DE LA BATTERIE :**

- 6.1 Placer les cordons C.A. et C.C. de manière à éviter qu'ils soient endommagés par le capot, une portière ou les pièces en mouvement du moteur.
- 6.2 Faire attention aux pales, aux courroies et aux poulies du ventilateur ainsi qu'à toute autre pièce susceptible de causer des blessures.
- 6.3 Vérifier la polarité des bornes de la batterie. Le diamètre de la borne POSITIVE (POS, P, +) est généralement supérieur à celui de la borne NÉGATIVE (NÉG, N, -).
- 6.4 Déterminer quelle borne est mise à la masse (raccordée au châssis). Si la borne négative est raccordée au châssis (comme dans la plupart des cas), voir l'étape 6.5. Si la borne positive est raccordée au châssis, voir l'étape 6.6.
- 6.5 Si la borne négative est mise à la masse, raccorder la pince POSITIVE (ROUGE) du chargeur à la borne POSITIVE (POS, P, +) non mise à la masse de la batterie. Raccorder la pince NÉGATIVE (NOIRE) au châssis du véhicule ou au moteur, loin de la batterie. Ne pas raccorder la pince au carburateur, aux canalisations d'essence ni aux pièces de la carrosserie en tôle. Raccorder à une pièce du cadre ou du moteur en tôle de forte épaisseur.
- 6.6 Si la borne positive est mise à la masse, raccorder la pince NÉGATIVE (NOIRE) du chargeur à la borne NÉGATIVE (NÉG, N, -) non mise à la masse de la batterie. Raccorder la pince POSITIVE (ROUGE) au châssis du véhicule ou au moteur, loin de la batterie. Ne pas raccorder la pince au carburateur, aux canalisations d'essence ni aux pièces de la carrosserie en tôle. Raccorder à une pièce du cadre ou du moteur en tôle de forte.
- 6.7 Pour interrompre l'alimentation du chargeur, mettre les interrupteurs hors circuit, retirer le cordon c.a. de la prise, enlever la pince raccordée au châssis et en dernier lieu celle raccordée à la batterie.
- 6.8 Consultez les *Consignes d'Utilisation* pour les renseignements sur la durée du chargement.

7. ÉTAPES À SUIVRE QUAND LA BATTERIE EST INSTALLÉE HORS DU VÉHICULE

**AVERTISSEMENT : UNE ÉTINCELLE PRÈS DE BATTERIE PEUT CAUSER SON EXPLOSION.
POUR RÉDUIRE LES RISQUES D'ÉTINCELLE PRÈS DE LA BATTERIE :**

- 7.1 Vérifier la polarité des bornes de la batterie. Le diamètre de la borne POSITIVE (POS, P, +) est généralement supérieur à celui de la borne NÉGATIVE (NÉG, N, -).
- 7.2 Raccorder un câble de batterie isolé no 6 AWG mesurant au moins 60 cm de longueur à la borne négative (NÉG, N, -).
- 7.3 Raccorder la pince POSITIVE (ROUGE) à la borne POSITIVE (POS, P, +) de la batterie.
- 7.4 Se placer et tenir l'extrémité libre du câble aussi loin que possible de la batterie, puis raccorder la pince NÉGATIVE (NOIRE) du chargeur à l'extrémité libre du câble.
- 7.5 Ne pas se placer face à la batterie pour effectuer le dernier raccordement.
- 7.6 Quand vous déconnectez le chargeur, toujours le faire dans l'ordre inverse de la procédure de connexion et coupez la première connexion en étant aussi loin que possible de la batterie.
- 7.7 Une batterie marine (bateau) doit être débarquée à terre pour être chargée. Pour la charger à bord il faut posséder un appareil spécialement conçu pour utilisation marine.

8. MISE À LA TERRE ET CORDON D'ÉNERGIE CA

- 8.1 Ce chargeur de batterie doit être utilisé sur un circuit de tension nominale de 120 volts. La prise de terre doit être branchée dans une prise qui est correctement installée et mise à la terre conformément aux codes de construction locaux. Les fiches de la prise mâle doivent correspondre à la prise murale. Ne pas utiliser l'appareil avec un système non mis à la terre.
- 8.2 **DANGER :** Ne jamais modifier le cordon CA ou la prise de chargeur – si elle ne correspond pas à la prise murale, demander à un électricien professionnel de vous installer celle qui convient. Une mauvaise installation peut engendrer un risque de choc électrique ou d'électrocution.

NOTE : Conformément à la réglementation canadienne, l'utilisation d'un adaptateur est interdite au Canada. L'utilisation d'un adaptateur aux États-Unis n'est pas recommandée et ne doit pas être utilisé.

8.3 UTILISEZ UNE RALLONGE

L'utilisation d'une rallonge n'est pas recommandée. Si vous devez utiliser une rallonge, suivez ces directives :

- Les broches de la fiche de la rallonge doit être le même nombre, la taille et forme que celles de la fiche du chargeur.
- S'assurer que la rallonge est bien câblée et en bon état électrique.
- L'épaisseur du fil doit être assez grande pour la notation du chargeur, comme indiqué ci-dessous :

Longueur du cordon (m)	7,62	15,24	30,48	45,72
Calibre AWG* du cordon	10	10	10	8

*AWG-American Wire Gauge

9. DIRECTIVES D'ASSEMBLAGE

- 9.1 Il est important d'assembler complètement votre chargeur avant de l'utiliser. Retirez toutes les range-cordons et déroulez les câbles avant d'utiliser le chargeur de batterie. Suivez les instructions de montage suivantes.

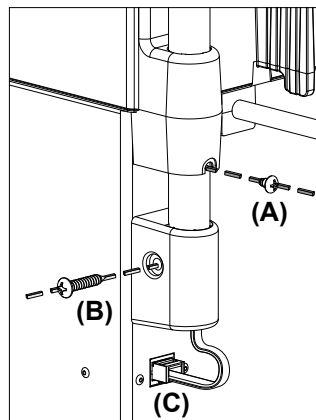
Pièces incluses
(2) vis no 8 x 0,25 po (A)
(2) vis no 10 x 1,0 po (B)
(1) poignée

Outils requis
Tournevis cruciforme (non inclus)

- 9.2 **Pour fixer la poignée :** Placez chaque extrémité de la poignée dans son support, en l'alignant avec les trous de vis. Insérez les vis comme illustré. Branchez le câble dans le port, comme illustré (C).

IMPORTANT : Le port est UNIQUEMENT prévu pour le branchement de la poignée du chargeur. Il n'est compatible avec aucun autre équipement.

MISE EN GARDE : veillez à ne pas pincer ni à endommager le câble pendant l'installation de la poignée. Le chargeur ne fonctionnera pas correctement si ce câble est endommagé.



10. PANNEAU DE CONTRÔLE

AFFICHAGE NUMÉRIQUE

L'écran numérique indique l'état de la batterie et du chargeur. Consultez la partie *Messages d'Affichage* pour une liste complète des messages.

REMARQUE : Pendant le chargement, l'affichage passera en mode d'économie d'énergie et ne va pas afficher le pourcentage de charge ou de la tension de la batterie. Pour rétablir l'affichage, appuyez sur n'importe quel bouton d'affichage.

BOUTON D'AFFICHAGE

Utiliser ce bouton pour régler la fonction de l'affichage numérique :

Pourcentage de batterie – L'écran montre une charge estimée en pourcentage de la batterie raccordée aux pinces du chargeur, lors de la charge.

Pourcentage de alternateur (12V seulement) – L'écran numérique affiche une sortie estimée en pourcentage du système de charge du véhicule raccordé aux pinces du chargeur, par rapport à un système fonctionnant correctement. La plage de pourcentage de l'alternateur est comprise entre 0 et 100 %. Les valeurs inférieures à 0 (13,2 volts) afficheront **LOW** et les valeurs supérieures à 100 % (14,6 volts) afficheront **HIGH**. Si l'écran affiche **HIGH** ou **LOW**, faites vérifier le système électrique par un technicien qualifié.

Tension – L'écran numérique montre la tension située aux pinces du chargeur, en courant continu.

BOUTON DE SÉLECTION DE TAUX

Utiliser ce bouton pour choisir entre les modes suivants :

6<>2A CHARGE / MAINTIEN – Pour charger les petites et les grosses batteries. **Pas conçu pour les applications industrielles.**

BOOST – Sert à ajouter rapidement de l'énergie à une batterie fortement déchargée ou à capacité élevée avant le Démarrage du Moteur. L'appareil basculera automatiquement sur 6A<>2A Charge/Maintien une fois que l'opération Boost est terminée.

6V OU 12V AIDE-DÉMARRAGE – Fournit des amplis supplémentaires pour démarrer le moteur qui ont une batterie faible ou déchargée. Toujours utiliser en combinaison avec une batterie.

REMARQUE : Une fois que le chargeur a commencé à charger la batterie, si vous appuyez une fois sur la touche Sélection du taux, le courant de sortie est interrompu et l'écran indique **OFF**, suivi de la tension de la batterie. Si vous appuyez à nouveau sur la touche Sélection du taux, le courant revient à la même intensité qu'au moment de sa mise hors tension.

INDICATEURS LED

PINCES INVERSÉES (rouge) LED clignotant : Les connexions sont inversées.

CHARGE / BOOST (jaune / orange) LED allumée : Le chargeur a détecté qu'une batterie est branchée et effectue l'opération sélectionnée.

CHARGÉ / MAINTIEN (vert) LED allumée : La batterie est complètement chargée et le chargeur est en mode maintien.

REMARQUE : Consultez la section des *Consignes d'Utilisation* pour une description complète des modes de chargeur.

BOUTON DE TYPE DE BATTERIE

Utilisez ce bouton pour sélectionner le type de batterie.

STD – Utilisé dans les voitures, camions et motocyclettes, ces batteries ont des bouchons de ventilation et sont souvent marqués « faible entretien » ou « sans entretien ». Ce type de batterie est conçu pour rapidement offrir de l'énergie (par exemple, le démarrage des moteurs) et a une plus grande teneur en germes. Les plaques sont plus minces et avoir la composition des matériaux peu différente. Batteries ordinaires ne devraient pas être utilisés pour des applications à cycle profond.

AGM – La construction de Glass Mat absorbée permet à l'électrolyte à être suspendu à proximité de matière active de la plaque. En théorie, cela améliore à la fois la charge et l'efficacité de la recharge. Les batteries AGM sont une variante des batteries scellées VRLA (Valve Régulation plomb-acide). Usages populaires comprennent la haute performance du moteur de démarrage, les sports de puissance, cycle profond, batteries solaires.

GEL – L'électrolyte dans un élément gélifié a un additif de silice qui lui permet de s'ancrer ou de se raidir. La tension du chargement de ce type d'élément est plus basse que celle des autres styles d'accumulateurs au plomb. C'est probablement l'élément le plus sensible en ce qui concerne les effets indésirables d'un chargement en surtension. Les batteries « Gel » ont un meilleur usage en décharge TRÈS POUSSÉE et peuvent durer plus longtemps dans un environnement chaud. Si on utilise un mauvais chargeur de batterie pour une batterie à éléments gélifiés, un mauvais rendement et une défaillance prématurée en découlera.

COMMUTATEURS À BASCULE

Ceux-ci se trouvent sur la base de l'appareil.

COMMUTATEUR DE TENSION – Sélectionner 6 V ou 12 V.

SELECTEUR MARCHE / ARRÊT – Utilisez ce sélecteur pour choisir entre la Charge / Maintien, Boost ou le mode de Aide-Démarrage.

OFF (ARRÊT) – Lorsque le commutateur est dans cette position (au milieu), le chargeur est éteint.

BOOST ou CHARGE / MAINTIEN – Lorsque le sélecteur est dans cette position, le bouton de sélection de taux peut être mis sur le 6<> 2A Charge / Maintenir ou d'appoint Boost.

AIDE-DÉMARRAGE – Utilisez cette position pour le mode Démarrage du moteur. Lorsque le commutateur se trouve dans cette position, le voyant DEL Démarrage du moteur s'allumera.

11. CONSIGNES D'UTILISATION

AVERTISSEMENT : UNE ÉTINCELLE PRÈS DE LA BATTERIE PEUT PROVOQUER UNE EXPLOSION.

REMARQUE : Ce chargeur est équipé d'une fonction de démarrage automatique. Le courant n'alimentera pas les pinces avant qu'une batterie soit raccordée correctement à celles-ci. Les pinces ne feront pas d'étincelles si elles se touchent.

CHARGE D'UNE BATTERIE DANS LE VÉHICULE

1. Éteignez tous les accessoires du véhicule.
2. Gardez le capot ouvert.
3. Nettoyez les bornes de la batterie.
4. Placez le chargeur sur une surface sèche et non-inflammable.
5. Posez les câbles CA / CC à l'écart de toute pales de ventilateur, courroies, poulies et autres pièces mobiles.
6. Mettez le sélecteur ON / OFF à la position ARRÊT.
7. Raccordez la batterie, selon les mesures indiquées dans les parties 6 et 7.
8. Raccordez le chargeur à une prise électrique.
9. Avec le chargeur branché et connecté à la batterie du véhicule, réglez le commutateur ON / OFF pour le Boost ou Charge / Maintien la position.
10. Choisissez le type de batterie et le taux souhaité. La charge commence alors automatiquement. Consultez la section 12 pour les détails relatifs au message **CHARGING**.
11. La DEL (jaune/orange) Charge / Boost s'allumera, et l'écran affichera **ANALYZING BATTERY** pendant que le chargeur détermine que la batterie est correctement raccordée et analyse son état.
12. Lorsque le chargement est terminé, appuyez sur l'interrupteur MARCHE/ARRÊT pour éteindre, débranchez le chargeur du courant alternatif, débranchez les pinces du châssis du véhicule, puis enlevez les pinces de la borne de la batterie.

CHARGE D'UNE BATTERIE A L'EXTÉRIEUR DU VÉHICULE

1. Mettez la batterie dans un endroit bien ventilé.
2. Nettoyez les bornes de la batterie.
3. Mettez le sélecteur ON / OFF à la position ARRÊT.
4. Raccordez la batterie, selon les mesures indiquées dans les parties 6 et 7.
5. Raccordez le chargeur à une prise électrique.
6. Avec le chargeur branché et connecté à la batterie du véhicule, réglez le commutateur ON / OFF pour le Boost ou Charge / Maintien la position.
7. Choisissez le type de batterie et le taux souhaité. La charge commence alors automatiquement. Consultez la section 12 pour les détails relatifs au message **CHARGING**.
8. La DEL (jaune/orange) Charge / Boost s'allumera, et l'écran affichera **ANALYZING BATTERY** pendant que le chargeur détermine que la batterie est correctement raccordée et analyse son état.
9. Lorsque le chargement est terminé, appuyez sur l'interrupteur MARCHE/ARRÊT pour éteindre, débranchez le chargeur du courant alternatif, débranchez la pince négative et enfin la pince positive.
10. Une batterie marine (bateau) doit être retirée et chargée sur le rivage.

CHARGE AUTOMATIQUE

Quand une charge automatique est effectuée, le chargeur passe en mode de maintien automatiquement lorsque la batterie est chargée.

INDICATEUR DE RACCORDEMENT DE LA BATTERIE

Si le chargeur ne détecte pas une batterie raccordée correctement, le chargement ne débutera pas et l'écran numérique affichera un des deux messages. Si l'écran affiche **CONNECT CLAMPS**, assurez-vous que le chargeur est raccordé à la batterie et que les points de raccordement sont propres et sont bien branchés. Si l'écran affiche **WARNING CLAMPS REVERSED**, débranchez le chargeur de la prise de courant alternatif et inversez les raccordements à la batterie.

TEMPS DE CHARGEMENT

APPLICATION	TAILLE DE LA BATTERIE	TEMPS DE CHARGEMENT (heures)			
		2A	6A	8A	10A
POWERSPORTS ↓	6 Ah ↑	6	2	1,5	1,5
	32Ah ↑	↓ 15	↓ 5	↓ 4,5	↓ 4
AUTOMOBILE ↓	300 CCA ↑	12	4	3,5	3
	1000 CCA ↑	↓ 30	↓ 10	↓ 8	↓ 7
MARINE	50 Ah ↑	15	5	4	3,5
	105 Ah ↑	↓ 32	↓ 11	↓ 10	↓ 8

Les temps sont basées sur une batterie déchargée à 50% et peuvent changer en fonction de l'âge et de l'état de la batterie.

L'ACHÈVEMENT DU CHARGEMENT ET LE MODE DE MAINTIEN DU CHARGEMENT DE LA BATTERIE (MODE DE SURVEILLANCE LIBRE)

L'achèvement du chargement est indiqué par la DEL verte Chargé/Maintien allumée en continu et par l'écran numérique indiquant **FULLY CHARGED AUTO MAINTAINING**. Cela veut dire que le chargeur a arrêté son action et qu'il est passé en mode de maintien du chargement de la batterie. Cela veut dire que le chargeur a arrêté son action et qu'il est passé en mode de maintien du chargement de la batterie.

NOTE : Si le chargeur doit fournir son maximum actuel maintenir pour une période d'une heure en continu 12, il se met en mode abort (voir la section *Charge Avorte*). Cela est généralement causé par une fuite de la batterie ou de la batterie pourrait être mauvais. Assurez-vous qu'il n'y a pas de charges sur la batterie. S'il existe, supprimez-les. S'il n'en existe pas, faite vérifier la batterie ou remplacé.

MAINTENIR UNE BATTERIE

Cette unité maintient batteries de 6 volts et 12 volts, de les maintenir à pleine charge. **Non recommandé pour une utilisation industrielle.**

NOTE : La technologie de mode maintien vous permet de recharger en toute sécurité et de maintenir une batterie en bon état pendant des périodes de temps prolongées. Toutefois, des problèmes avec les problèmes électriques, batteries dans le véhicule, une mauvaise connexion ou d'autres conditions supplémentaires pourraient provoquer un courant excessif. En tant que tel, suivi parfois votre batterie et la recharge est nécessaire.

MODE DE DÉSULFATATION

Si la batterie demeure déchargée pour une longue période de temps, celle-ci pourrait devenir sulfatée et ne pas permettre le chargement normal. Si le chargeur détecte une batterie sulfatée, il passera en mode de fonctionnement hors de l'ordinaire conçu pour de telles batteries. Si l'opération est réussie, le chargement normal reprendra après que la batterie est désulfatée. Une opération de désulfatation peut prendre jusqu'à 8 heures. Si l'opération de désulfatation échoue, le chargement cesse et l'écran affiche **CHARGE ABORTED BAD BATTERY**.

CHARGE AVORTE

Si la charge ne peut être achevé normalement, la charge avorté. Lorsque la charge est abandonnée, la sortie du chargeur est coupée, et l'écran affichera **CHARGING ABORTED BAD BATTERY**. N'essayez pas de continuer le chargement de cette batterie. Vérifiez la batterie et remplacez-la si nécessaire.

UTILISATION DU MODE DE DÉMARRAGE DU MOTEUR

Votre chargeur de batterie peut être utilisé pour démarrer votre voiture si la batterie est faible. Suivez toutes les instructions et précautions de sécurité pour charger votre batterie. Portez des lunettes de protection complète et des vêtements protecteurs.

AVERTISSEMENT : L'utilisation de la fonction de aide-démarrage SANS avoir une batterie installée dans le véhicule endommagera le système électrique du véhicule.

NOTE : Si vous avez chargé la batterie et il sera toujours pas démarrer votre voiture, ne pas utiliser la fonction de démarrage du moteur, ou il va endommager le système électrique du véhicule. Faite vérifiée la batterie.

1. Mettez le sélecteur ON / OFF à la position ARRÊT.
2. Avec le chargeur débranché de la prise murale, branchez le chargeur de la batterie en suivant les instructions données sur *Étapes À Suivre Quand La Batterie Est Installée Dans Un Véhicule*.

- Une fois le chargeur branché et connecté à la batterie et au châssis, placez l'interrupteur MARCHE/ARRÊT sur la position Démarrage du moteur, puis appuyez sur la touche Sélection du taux jusqu'à ce que le voyant DEL Démarrage du moteur s'allume.
 - Lorsque l'écran indique **ENGINE START READY**, activez le moteur jusqu'à ce qu'il démarre ou après 5 secondes. Si le moteur ne démarre pas, attendez 3 minutes (jusqu'à ce que l'écran indique **ENGINE START READY**) avant de l'activer à nouveau. Cela permet au chargeur et à la batterie de refroidir.
REMARQUE : Pendant le temps très froid, ou si la batterie est moins de 2 volts, chargez la batterie pendant 5 minutes avant de démarrer le moteur.
 - Si le moteur ne démarre pas, utilisez le taux Boost pendant cinq minutes avant d'essayer de remettre le moteur en marche.
 - Après le démarrage du moteur, appuyez sur l'interrupteur MARCHE/ARRÊT pour éteindre l'appareil, débranchez le câble d'alimentation CA avant de retirer les pinces de la batterie du véhicule.
- NOTE** : Si le moteur tourne, mais ne démarre pas, ce n'est pas la batterie ni le système de démarrage qui est défectueux; cherchez ailleurs dans votre véhicule. ARRÊTER de tourner le moteur jusqu'à ce que l'autre problème est identifié ou corrigé.

NOTES DE DEMARRAGE MOTEUR

Pendant la séquence de démarrage indiquée ci-dessus, le chargeur est fixé à l'un des trois états suivants :

- Attendez pour démarrage** – Le chargeur attend jusqu'à ce que le moteur soit effectivement mis en marche avant de fournir les ampères pour le démarrage du moteur et se réinitialise si le moteur n'est pas mis en marche dans les 15 minutes. (Si le chargeur se réinitialise, il passe automatiquement aux paramètres de démarrage par défaut). En attendant le démarrage, l'écran numérique affiche le pourcentage de charge de la batterie (il ne peut pas être réglé sur la tension). Au bout de cinq secondes, l'écran changera pour **ENGINE START READY**.
- Démarrage** – Lors du démarrage, le chargeur fournit automatiquement jusqu'à sa puissance maximale tel que requis par le système de démarrage pendant 5 secondes ou jusqu'à l'arrêt du démarrage à moteur. L'écran numérique affiche le compte à rebours du temps nécessaire qui reste pour faire tourner le moteur.
- Refroidissement** – Après un lancement de moteur, le chargeur se met obligatoirement en état de refroidissement pendant 3 minutes (180 secondes). L'écran numérique indiquera **ENGINE START COOL DOWN XXX SECONDS REMAINING**. Il démarre à 180 et descend jusqu'à 0. Après trois minutes, l'écran numérique changera pour **ENGINE START READY**. Le voyant DEL Charge / Boost (jaune/orange) s'allume alors.

UTILISER LE TESTEUR DE TENSION DE BATTERIE

- Avec le chargeur débranché de la prise murale, branchez le chargeur de la batterie en suivant les instructions données dans les sections précédentes.
- Branchez le cordon d'alimentation CA du chargeur dans la prise murale.
- Réglez l'interrupteur MARCHE/ARRÊT sur la position Boost/Charge/Maintien. NE choisissez PAS le taux à l'aide de la touche Sélection du taux.
- Si nécessaire, appuyez sur la touche Type de Batterie jusqu'à ce que le type correct soit indiqué.
- Lisez la tension sur l'affichage numérique. Gardez à l'esprit que cette lecture est seulement une lecture de la tension de la batterie, une charge surface faux peut vous induire en erreur. Comparez la lecture au tableau suivant.

6V Tension de la batterie	12V Tension de la battery	État de la batterie
6,4 ou plus	12,8 ou plus	Chargé
6,1 à 6,3	12,2 à 12,6	Doit être rechargée
Moins de 6,1	Moins de 12,2	Déchargé

TESTEUR ET CHARGEUR

Au démarrage, l'appareil fonctionne seulement comme un testeur, pas un chargeur. En sélectionnant un mode vous activez le chargeur de batterie et désactivez le testeur. En appuyant sur le bouton Sélection de Taux quand le mode Aide-Démarrage est actif (sauf pendant les 180 secondes de refroidissement) vous arrêtez le chargeur et mettez en marche le testeur.

DÉLAI DE MARCHE

Si aucune touche n'est touchée dans les 10 minutes après le chargeur de batterie est mis sous tension, le chargeur passe automatiquement du testeur au chargeur si la batterie est connectée. Dans ce cas, le chargeur sera mis à la mode de 6<->2A Charge / Maintien et le type de batterie Gel.

TESTEUR SANS LIMITE DE TEMPS

Si vous appuyez sur la touche Mode d'affichage ou Type de batterie dans les dix premières minutes qui suivent la mise sous tension du chargeur de batterie, l'appareil servira indéfiniment de testeur (pas de chargeur), à moins qu'un taux de charge ne soit sélectionné.

ESSAI APRÈS LA CHARGE

Une fois que l'appareil est passé du mode testeur au mode chargeur (en sélectionnant un taux de charge), il servira de chargeur. Pour remettre le chargeur de la batterie en mode d'essai, appuyez sur la touche Sélection du taux jusqu'à ce que tous les voyants DEL de taux de charge soient éteints.

NOTE : Le contrôleur de batterie est conçu uniquement pour les batteries de tests. Test d'un appareil avec une tension évolution rapide pourrait donner des résultats inattendus ou inexacts.

UTILISATION DE LA PERFORMANCE TESTER ALTERNATEUR

1. Avec le chargeur débranché de la prise murale, branchez le chargeur sur la batterie, suivant les instructions données dans les sections précédentes.
2. Branchez le cordon d'alimentation CA du chargeur dans la prise secteur.
3. Réglez l'interrupteur MARCHE/ARRÊT sur la position Boost/Charge/Maintien. NE choisissez PAS le taux à l'aide de la touche Sélection du taux.
4. Démarrer le véhicule, faire tourner le moteur à 2000 tr / min pendant 30 secondes et allumer les phares du véhicule.
5. Lisez la tension sur l'affichage numérique. Si vous obtenez une lecture entre 13,4 et 14,6 volts, l'alternateur fonctionne correctement. Si la lecture est inférieure à 13,4 volts ou plus de 14,6 volts, avoir le système de charge par un technicien qualifié.

REMARQUE : Consultez le manuel du propriétaire de votre véhicule pour connaître les valeurs de tension appropriées pour votre alternateur.

FONCTIONNEMENT DU VENTILATEUR

Il est normal pour le ventilateur de démarrer et de s'arrêter lorsque la batterie est maintenue complètement chargée. Le ventilateur ne fonctionne pas en mode d'essai. Évitez d'obstruer les alentours du chargeur pour permettre au ventilateur de fonctionner efficacement.

REDÉMARRAGE

Après le début du chargement, si le mode est changé (en appuyant sur le bouton Sélection de Taux ou Type de Batterie, le processus de chargement s'enclenchera.

12. MESSAGES D'AFFICHAGE

CONNECT CLAMPS (La DEL Tension est allumée) – Branchement effectué à la prise de courant alternatif sans que les pinces soient raccordées à une batterie de 6 à 12 V.

WARNING CLAMPS REVERSED (La DEL rouge clignote) – Branchement effectué à la prise de courant alternatif, et les pinces sont raccordées à la batterie de façon inversée. Défile jusqu'à ce que la situation soit corrigée.

ANALYZING BATTERY (La DEL jaune/orange est allumée) – Branchement effectué à la prise de courant alternatif et lors du premier raccordement correctement effectué à une batterie de 6 ou de 12 V.

CHARGING 6V – XX% (La DEL jaune/orange est allumée) – Branché sur la prise secteur et correctement connecté à une batterie déchargée de 6V.

CHARGING 12V – XX% (La DEL jaune/orange est allumée) – Branché sur la prise secteur et correctement connecté à une batterie déchargée de 12V.

FULLY CHARGED AUTO MAINTAINING (DEL verte est allumée) – Branchée sur une prise CA et proprement connectée à une batterie chargée de 6V ou 12V.

CHARGING ABORTED BAD BATTERY – Circonstances qui pourraient entraîner une situation d'abandon pendant la charge :

- La batterie est fortement sulfatée ou a une cellule en court-circuit et ne peut pas atteindre une charge complète.
- La batterie est trop grande ou s'il y a une rangée de batteries et il n'atteint pas la pleine charge dans une période de temps définie.

Circonstances qui pourraient entraîner une situation d'abandon pendant maintenir :

- La batterie est fortement sulfatée ou a une cellule faible et ne tiendra pas une charge.
- Il est un grand tirage au sort de la batterie et le chargeur doit fournir son maximum actuel maintenir pour une période de 12 heures pour maintenir la batterie a pleine charge.

ENGINE START READY (La DEL Type de Batterie est allumée) – Le chargeur est prêt pour le démarrage du moteur.

ENGINE START COOL DOWN XXX SECONDS REMAINING (La DEL Type de Batterie est allumée) – Le chargeur est en période de refroidissement obligatoire de 3 minutes (180 secondes).

13. MAINTENANCE ET ENTRETIEN

Un minimum d'entretien peut garder le chargeur de batterie fonctionne correctement pendant des années.

- Nettoyez les pinces à chaque fois que vous avez fini de charger. Essuyer tout liquide de la batterie qui peut avoir été en contact avec des pinces pour éviter la corrosion.
- De temps en temps nettoyer le boîtier du chargeur avec un chiffon pour garder la finition brillante et aider à prévenir la corrosion.
- Mettez les cordons proprement lors du stockage du chargeur. Cela aidera à prévenir les dommages accidentels aux cordons et du chargeur.
- Ranger le chargeur débranché de la prise de courant en position verticale.
- Stocker à l'intérieur, dans un endroit frais et sec. Ne pas les stocker les pinces sur la poignée ou autour du métal, ou accroché à des câbles.

14. TABLEAU DE DÉPANNAGE

PROBLÈME	CAUSE POSSIBLE	SOLUTION
Le chargeur ne s'allume pas quand il est correctement branché.	La prise de courant CA est morte.	Vérifiez si un fusible est coupé ou le disjoncteur pour cette prise de courant.
	Mauvaise connexion électrique.	Vérifiez le cordon d'alimentation et la rallonge pour le raccordement des fiches.
	La batterie est défectueuse.	Faire vérifier la batterie.
Trois voyants DEL s'allument pendant deux secondes puis s'éteignent.	Le chargeur est branché à une prise de CA.	Aucun problème, cette situation est normale.
Les pinces de la batterie ne font pas d'étincelles si elles se touchent.	Le chargeur est équipé d'une fonction de démarrage automatique. Il n'enverra pas de courant à la batterie jusqu'à ce que la batterie soit raccordée correctement. Les pinces ne feront pas d'étincelles si elles se touchent.	Aucun problème, cette situation est normale.
La batterie est connectée et le chargeur est allumé, mais il n'y a pas de chargement.	Le chargeur est en mode d'essai et non en mode de chargement.	Appuyez sur le bouton Sélection de Taux pour activer le mode de chargement et choisir un débit.

PROBLÈME	CAUSE POSSIBLE	SOLUTION
Aucun relevé sur l'écran numérique.	Le chargeur n'est pas branché. Pas de courant à la prise.	Branchez le chargeur sur une prise de courant alternatif. Vérifiez la présence d'un fusible ou d'un disjoncteur ouvert dans le circuit d'alimentation de la prise de courant alternatif.
L'écran indique LOW lors du test de l'alternateur.	La sortie de l'alternateur est de 13,2 volts ou moins.	Faites vérifier l'installation électrique par un technicien qualifié.
L'écran indique HIGH lors du test de l'alternateur.	La sortie de l'alternateur est de 14,6 volts ou plus.	Faites vérifier l'installation électrique par un technicien qualifié.
La DEL jaune/orang est allumée et l'écran indique ANALYZING BATTERY .	Le chargeur doit vérifier l'état de la batterie.	Le voyant DEL jaune/orange s'allume lorsque le chargeur vérifie l'état de la batterie.
L'écran affiche CHARGE ABORTED BAD BATTERY .	La batterie est sulfatée et la désulfatation a échoué. La batterie est trop grosse pour le chargeur.	N'essayez pas de continuer le chargement de cette batterie. Vérifiez la batterie et remplacez-la si nécessaire. Vous avez besoin d'un chargeur avec un taux d'ampères plus élevés.
L'écran affiche CONNECT CLAMPS .	Les pinces n'offrent pas une bonne connexion.	Vérifiez la connexion à la batterie et au châssis.
Cycle de démarrage court ou non existant quand on lance le moteur.	Pas de courant à la prise. Mauvais branchement du cordon CA ou de la rallonge. Les pinces n'offrent pas une bonne connexion. Omission d'attendre 3 minutes (180 secondes) entre les lancements. La batterie peut être sévèrement déchargée. Batterie consomme plus de le taux de Démarrage. Le chargeur peut être surchauffe.	Vérifiez si un fusible est coupé ou le disjoncteur pour cette prise de courant. Vérifiez le cordon d'alimentation et la rallonge pour le raccordement des fiches. Vérifiez la connexion à la batterie et au châssis. Attendez 3 minutes de repos avant le prochain lancement du moteur. Sur une batterie fortement déchargée, utilisez le taux de Boost pour quelques minutes, pour aider à aider dans le démarrage. Le temps de lancement varie avec le montant de courant consommé. Si le lancement consomme plus de le taux de Démarrage, le temps de lancement peut être inférieur à 5 secondes. Le protecteur thermique peut être déclenché et a besoin d'un peu plus de temps pour le réinitialiser. Assurez-vous que les événements du chargeur ne sont pas bloqués. Attendez et réessayez.

PROBLÈME	CAUSE POSSIBLE	SOLUTION
Le voyant DEL Boost clignote.	Le chargeur a été laissé en mode Boost pendant une période prolongée.	Le voyant DEL Boost clignote pendant 30 minutes, puis s'éteint et le voyant DEL Charge/Boost s'allume, indiquant que le chargeur est en mode de charge.
Le voyant DEL Boost s'éteint.	Le mode Boost est terminé.	Ceci est normal. Le chargeur passe automatiquement en mode de charge pour charger complètement la batterie. Vous pouvez également appuyer sur la touche Sélection du taux et sélectionner soit le taux 6A<->2A Charge/Maintien ou Démarrage du moteur.

15. AVANT DE RETOURNER POUR LES RÉPARATIONS

Pour RÉPARATION OU RETOUR, visitez 365rma.com

Aller sur batterychargers.com pour les pièces de rechange.

16. GARANTIE LIMITÉE

Pour plus d'informations sur notre garantie limitée d'un an, veuillez visiter batterychargers.com ou appeler le 1-800-621-5485 pour demander une copie.

Aller sur batterychargers.com pour enregistrer votre produit en ligne.