



OWNERS MANUAL
MANUAL DEL USUARIO
GUIDE D'UTILISATION

Models / Modelos / Modèles :

PC-2000, PC-3000

Power Converter

Converts 12V DC Battery Power to AC Household Power

Convertidor de Energía

Convierte la energía 12V CD de baterías a 120V CA de energía doméstica

Convertisseur de puissance

Convertit la tension d'une batterie 12V CC en 120V CA domestique



PC-2000



PC-3000

PLEASE SAVE THIS OWNERS MANUAL AND READ BEFORE EACH USE.

This manual will explain how to use the converter safely and effectively. Please read and follow these instructions and precautions carefully.

POR FAVOR CONSERVE ESTE MANUAL DEL USUARIO Y LEALO ANTES DE CADA USO. En este manual le explica cómo utilizar el convertidor de manera segura y confiable. Por favor, lea y siga las siguientes instrucciones y precauciones.

ESSAYER DE GARDER LE MANUEL D'INSTRUCTIONS ET LE LIRE AVANT CHAQUE UTILISATION. Ce manuel explique comment utiliser l'unité d'une façon sûre et efficace. S'il vous plaît lisez et suivez ces instructions et précautions.

CONTENTS

IMPORTANT SAFETY INSTRUCTIONS	4
PERSONAL PRECAUTIONS	4
CONVERTER LOCATION	5
FEATURES	5
BEFORE USING YOUR CONVERTER.....	5
FASTENING THE CONVERTER TO A FLAT SURFACE	6
CONNECTING CONVERTER CABLES.....	6
BATTERY BANK INSTRUCTIONS.....	7
OPERATING INSTRUCTIONS.....	8
POWER SOURCE.....	9
LED INDICATOR AND SHUTDOWN PROTECTION	9
IF THE CONVERTER'S FUSE BLOWS	9
MAINTENANCE AND STORAGE INSTRUCTIONS.....	9
TROUBLESHOOTING	10
SPECIFICATIONS	10
REPLACEMENT PARTS	11
BEFORE RETURNING FOR REPAIRS	11
LIMITED WARRANTY	12
WARRANTY CARD	31

CONTENIDOS

INSTRUCCIONES IMPORTANTES DE SEGURIDAD	13
PRECAUCIONES PERSONALES	14
UBICACIÓN DEL CONVERTIDOR	14
CARACTERÍSTICAS.....	14
ANTES DE USAR SU CONVERTIDOR.....	14
PARA SUJETAR EL CONVERTIDOR A UNA SUPERFICIE PLANA.....	15
PARA CONECTAR LOS CABLES DEL CONVERTIDOR.....	15
INSTRUCCIONES PARA UN BANCO DE BATERÍAS	16
INSTRUCCIONES DE OPERACIÓN	17
FUENTE DE ENERGÍA	18
INDICADOR LED Y PROTECCIÓN DE DE APAGADO	18
SI SE QUEMA EL FUSIBLE DEL CONVERTIDOR.....	19
INSTRUCCIONES DE MANTENIMIENTO Y ALMACENAMIENTO	19
LOCALIZACIÓN Y SOLUCIÓN DE PROBLEMAS	19
ESPECIFICACIONES	20
PIEZAS DE REPUESTO	20
ANTES DE DEVOLVER A REPARACIONES.....	21
GARANTÍA LIMITADA	21
TARJETA DE GARANTÍA	31

TABLE DES MATIÈRES

CONSIGNES DE SÉCURITÉ IMPORTANTES	22
MESURES DE SÉCURITÉ PERSONNELLE	23
EMPLACEMENT DU CONVERTISSEUR	23
CARACTÉRISTIQUES	23
AVANT D'UTILISER VOTRE CONVERTISSEUR	23
FIXATION DU CONVERTISSEUR SUR UNE SURFACE PLANE	24
RACCORDER LES CÂBLES SUR LE CONVERTISSEUR.....	24
INSTRUCTIONS POUR L'ENSEMBLE DE BATTERIES	25
MODE D'EMPLOI	26
SOURCE D'ALIMENTATION	27
INDICATEUR DEL ET PROTECTION D'ARRÊT	27
SI LE FUSIBLE DU CONVERTISSEUR SAUTE.....	28
ENTRETIEN ET STOCKAGE INSTRUCTIONS.....	28
DÉPANNAGE	28
SPÉCIFICATIONS	29
PIÈCES DE RECHANGE	29
AVANT DE L'ENVOYER POUR RÉPARATIONS	30
GARANTIE LIMITÉE	30
CARTE DE GARANTIE	32

1. IMPORTANT SAFETY INSTRUCTIONS

SAVE THESE INSTRUCTIONS.

1.1 SAVE THESE INSTRUCTIONS.

This manual contains important safety and operating instructions for converter models **PC-2000** and **PC-3000**. This manual will show you how to use your converter safely and effectively. Please read, understand and follow these instructions and precautions carefully.

WARNING: RISK OF ELECTRIC SHOCK OR FIRE.

- 1.2 **WARNING:** Pursuant to California Proposition 65, this product contains chemicals known to the state of California to cause cancer and birth defects or other reproductive harm. Wash hands after handling.
- 1.3 **WARNING:** People with pacemakers should consult their physician before using the converter. Electromagnetic fields in close proximity to a heart pacemaker may cause pacemaker interference or pacemaker failure.
- 1.4 **IMPORTANT: Do not use in a marine application.**
- 1.5 Keep out of reach of children.
- 1.6 Do not expose converter to rain or snow.
- 1.7 Use of an attachment not recommended or sold by the unit manufacturer may result in a risk of fire, electric shock, or injury to persons.
- 1.8 Do not disassemble the unit; take it to a qualified serviceman when service or repair is required. Incorrect reassembly may result in a risk of electric shock or fire.
- 1.9 To reduce risk of electric shock, unplug unit from outlet before attempting any maintenance or cleaning. Turning off controls will not reduce this risk.
- 1.10 For the most effective use, place the power converter on a flat surface.
- 1.11 Keep the converter well ventilated, in order to properly disperse heat generated while it is use. Make sure there are several inches of clearance around the top and sides and do not block the slots of the converter.

- 1.12 Do not place the converter in areas such as battery compartments or engine compartments, where fumes or gases may accumulate.
- 1.13 **DO NOT** operate the converter if you, the converter, the device being operated or any other surfaces that may come into contact with any power source are wet. Water and many other liquids can conduct electricity, which may lead to serious injury or death.
- 1.14 Do not place the converter on or near heating vents, radiators or other sources of heat or flammable materials.
- 1.15 Do not place the converter in direct sunlight. The ideal air temperature for operation is between 50° and 80°F.
- 1.16 Only connect the power converter to a 12V battery or power supply. Do not attempt to connect the converter to any other power source, including an AC power source. Connecting to a 6V or 16V battery will cause damage to the converter.
- 1.17 Do not use with positive ground electrical systems.
- 1.18 Make sure the AC plug is tight.
- 1.19 Do not modify the AC receptacle in any way.
- 1.20 Do not try extending or otherwise changing the 12V power cord supplied with your converter. Make sure the cord connections are tight.
- 1.21 Incorrect operation of your converter may result in damage and personal injury.
WARNING: The converter output is 120V AC and can shock or electrocute the same as any ordinary household AC wall outlet.
- 1.22 Do not use the converter with a product that draws a higher wattage than the converter can provide, as this may cause damage to the converter and product.
- 1.23 This device does not include an internal Ground Fault Circuit Interrupter (GFCI). For GFCI protection, use a Coleman Cable 02822 GFCI outlet, or its equivalent.

2. PERSONAL PRECAUTIONS

- 2.1 **Restrictions on Use:** This converter may not be used with life support devices or systems. Failure of this converter can reasonably be expected to cause failure of that life support device or system, or to affect the safety or effectiveness of that device or system.
- 2.2 Wear complete eye protection and protective clothing when working near lead-acid batteries. Always have someone nearby for help.
- 2.3 Remove all personal metal items from your body, such as rings, bracelets, necklaces and watches. A lead-acid battery can produce a short circuit current high enough to weld a ring to metal, causing a severe burn.
- 2.4 Never smoke or allow a spark or flame in the vicinity of the battery or engine.

3. CONVERTER LOCATION

- 3.1 Never place unit directly above battery; gases from battery will corrode and damage the converter.
- 3.2 Never allow battery acid to drip on unit when reading gravity or filling battery.
- 3.3 Do not operate converter in a closed-in area or restrict ventilation in any way.

4. FEATURES

- **ON/OFF rocker switch**
- **LED indicator**
Green indicates Power ON
Red indicates Overload/Interruption in power
- **12 Volt power cord**
- **120V standard AC outlets**
Model PC-2000 includes 3 outlets
Model PC-3000 features 4 outlets
- **USB port(s) – 5V, 2.0A**
Model PC-2000 includes one port
Model PC-3000 features 2 ports
- **High-speed cooling fans (2)**
To keep the converter cool, the fans speeds up as the load increases. The fans do not run when the converter is turned off.
- **Positive Battery Cable Terminal (Red)**
- **Negative Battery Cable Terminal (Black)**
- **Ground Terminal and ground wire**
Grounds converter, to protect against electrical shock.
- **Thermal Protection**
When the thermal resistor exceeds 80° C (176° F), the converter shuts down until it cools off, and then automatically restarts.
- **Surge Protection**
When the power input from the vehicle's battery exceeds 15.5 volts, the converter shuts down.
- **Low-Battery Protection**
When the power input from the vehicle's battery drops to below 10 volts, the red LED will light, and the converter will shut down.

5. BEFORE USING YOUR CONVERTER

Do not use the converter with a product that draws a higher wattage than the converter can provide, as this may cause damage to the converter and product.

When you turn on a device or a tool that runs on a motor, the device goes through two stages:

1. **Start Up** – Requiring an initial surge of power (commonly known as the “starting” or “peak” load).
2. **Continuous Operation** – Power consumption drops (commonly known as the “continuous load”).

The wattage (WATTS) or amperes (AMPS) can normally be found stamped or printed on most devices and equipment, or in the user's manual. Otherwise, contact the manufacturer to find out whether the device you want to use is compatible with a modified sine wave.

To calculate the wattage:
Wattage = AMPS x 120 (AC Voltage).

To calculate the starting load:
Starting Load = 2 x wattage.

In general, the startup load of the device or power tool determines whether your converter has the capability to power it.

To calculate the continuous load:
Continuous Load = AMPS x 120 (AC Voltage).

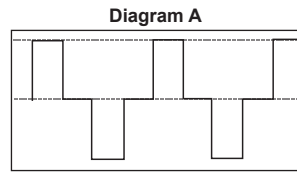
IMPORTANT: Always run a test to establish whether the converter will operate a particular piece of equipment or device. In the event of a power overload, the converter is designed to automatically shut down.

This safety feature prevents damaging the converter while testing devices and equipment within the wattage range of the converter.

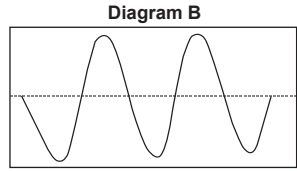
If a device does not operate properly when first connected to the converter, turn the converter ON/OFF switch ON, OFF, and ON again in quick succession. If this procedure is not successful, it is likely that the converter does not have the required capacity to operate the device in question.

IMPORTANT: This converter uses a modified sine waveform (diagram A) which is not quite the same as power company electricity (diagram B). For the following devices, we strongly recommend that you use caution and check the device's manual to make sure it is compatible with modified sine waveform.

1. Switch mode power supplies
 2. Linear power supplies
 3. Class 2 transformers
 4. Line filter capacitors
 5. Shaded pole motors
 6. Fan motors
 7. Microwave ovens
 8. Fluorescent and high intensity lamps (with a ballast)
 9. Transformerless battery chargers
- Using the converter with any of these devices may cause the device to run warmer or overheat.



Modified sine waveform produced by converter



Pure sine waveform typical of home AC outlet

IMPORTANT: If you are using the power converter to operate a battery charger, monitor the temperature of the battery charger for about 10 minutes. If the battery charger becomes abnormally warm, disconnect it from the converter immediately.

6. FASTENING THE CONVERTER TO A FLAT SURFACE

For your convenience, the converter may be fastened horizontally to a flat surface. The area where the converter is to be fastened must be dry, well-ventilated and away from any combustible material or fumes.

1. Turn off and disconnect the converter.
2. Place the back of the converter with the mounting bracket against a flat, secure surface.
3. Attach the converter, using corrosion-resistant screws.

7. CONNECTING CONVERTER CABLES

The converter and power source must be in the OFF mode.

IMPORTANT: Make sure to connect your converter only to a 12 volt power supply. To avoid electrical shock, it is necessary to ground the converter as well as the device powering it. The converter should be grounded, using a 16 AWG copper wire (included).

NOTE: Do not turn on the converter or the power source until the converter and the power source are grounded.

TO GROUND THE CONVERTER

1. Turn off and disconnect the converter.
2. Locate the chassis ground screw on the back of the converter.

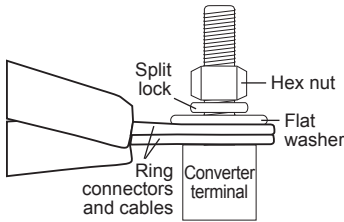
3. Remove the outer hex nut and loosen the second hex nut.
4. Attach the grounding wire's ring connector to the ground terminal of the converter.
5. Tighten the hex nut securely. Then replace the other hex nut and tighten it securely.
6. Attach the other end of the wire to a properly grounded location:

Vehicle: Connect to the chassis, unpainted frame part, or engine block of the vehicle.

Fixed location: Connect to a ground rod or other appropriately rated ground.

CONNECTING CONVERTER CABLES TO THE CONVERTER

1. Locate the Positive and Negative terminals on the left side of the converter.
2. From the POSITIVE (RED) and the NEGATIVE (BLACK) terminals, remove the hex nut, split lock and flat washer.
3. Place the POSITIVE (RED) ring connectors onto the POSITIVE (RED) converter terminal. Place the NEGATIVE (BLACK) ring connectors onto the NEGATIVE (BLACK) converter terminal.
4. Place a flat washer and split lock on top of the ring connectors. Put a hex nut over these and tighten.



CONNECTING THE CONVERTER CABLE TO A 12V BATTERY OR 12V POWER SOURCE:

1. Keep hands, hair, clothing and jewelry clear of battery terminals.
2. Wear eye protection and protective clothing.
3. For a negative-grounded vehicle (**do not use with positive ground electrical systems**), connect the POSITIVE (RED) ring terminal from the converter to the POSITIVE (POS, P, +) ungrounded post of the battery. Connect the NEGATIVE (BLACK) ring terminal to the vehicle chassis or engine block away from the battery. Do not connect the terminal to the carburetor, fuel lines or sheet-metal body parts. Connect to a heavy gauge metal part of the frame or engine block.
4. To disconnect the converter, remove first the negative terminal and then the positive terminal.

IMPORTANT: Failure to make the correct connections will result in blown fuses and permanent damage to the converter.

8. BATTERY BANK INSTRUCTIONS

BATTERY BANK ASSEMBLY

WARNING: Read these safety instructions before assembling the battery bank.

- Connect batteries **ONLY** in parallel (negative terminals together to one cable; positive terminals together to the other cable), as shown in the *Battery Bank Example*.
- Do not connect 12V batteries in a series with the negative of one battery connected to the positive of the next.

DANGER: CONNECTING INCORRECTLY MAY RESULT IN VOLTAGE HIGH ENOUGH TO CAUSE ELECTROCUTION.

- While assembling the battery bank, wear splash-resistant ANSI-approved safety goggles and electrically insulated gloves.
- Connect **ONLY** similar batteries together in a battery bank. Do not connect old to new, flooded to gel cells, or batteries with different capacities.
- Use extension cables with the specified gauge (or thicker).

PC-2000

6' or less: 6 AWG (2 sets)
6-10': 4 AWG (2 sets)

PC-3000

6' or less: 4 AWG (2 sets)
6-10': 2 AWG (2 sets)

WARNING:

RISK OF EXPLOSIVE GASES.

- Assemble the battery bank in a clean, well-ventilated location, away from ignition sources and flammable materials.
- To reduce risk of battery explosion, follow these instructions and those published by the battery manufacturer and manufacturer of any equipment you intend to use in vicinity of a battery. Review cautionary markings on these products.

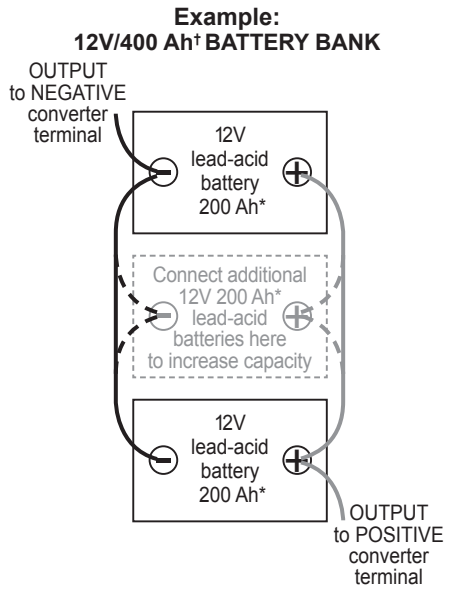
CONNECTING THE BATTERIES IN PARALLEL

1. First, connect all of the positive terminals to each other.
2. Next, connect all of the negative terminals to each other.
3. Connect the negative and positive output cables to opposite ends of the bank. **Do not allow the output cables to touch one another.**
4. Test the voltages at the output cables, to make sure that the battery bank is correctly wired.
5. If the voltage is higher than 13 volts, part of the battery bank is probably connected in series (a negative terminal of one battery attached to a positive terminal of another) instead of in parallel.

6. Carefully examine the diagram and correct the wiring before attaching to the converter.
7. Make sure the converter's switch is set to OFF (O).
8. Connect the output cables from the battery bank to the converter.

†Bank Capacity = (single battery capacity) x (# of batteries)
 400 Ah capacity is for (2) 200 Ah batteries.

*200 Ah batteries shown for illustration purposes.



9. OPERATING INSTRUCTIONS

1. Connect the converter (see *Connecting Converter Cables* section).
2. Switch the converter's ON/OFF switch to the ON (I) position.
3. The GREEN LED indicator will light, indicating the converter is receiving power.
4. Switch the converter's ON/OFF switch to the OFF (O) position. (The GREEN LED may flash briefly and/or the internal speaker may make a brief "beep". This is normal.)
5. Make sure the device to be operated is turned OFF.
6. Plug the device into the converter's AC outlet.
7. Switch the converter's ON/OFF switch to the ON (I) position.
8. Turn the device on.
9. To disconnect, reverse the above procedure.

NOTE: If more than one device is to be powered, start one device at a time, to avoid a power surge and overloading the converter. The surge load of each device should not exceed the converter's Continuous Operation wattage rate.

IMPORTANT: Using the converter with some rechargeable devices may damage the converter and/or device. If you are using the converter to operate a rechargeable device, monitor the temperature of the converter for about

10 minutes. If the converter becomes abnormally hot, disconnect it from the device immediately; do not use the device with the converter.

USING THE CONVERTER TO OPERATE A TV OR AUDIO DEVICE

The converter is shielded and filtered to minimize signal interference. Despite this, some interference may occur with your television picture, especially with weak signals. Below are some suggestions to improve reception.

1. Try altering the position of the converter, antenna cables, and television power cord. Add an extension cord from the converter to the TV, to isolate its power cord and antenna cables from the 12 volt power source.
2. Try coiling the television power cord and the input cables running from the 12 volt power source to the converter.
3. Affix one or several "Ferrite Data Line Filters" to the television power cord. Ferrite Data Line Filters can be purchased at most electronic supply stores.
4. Try grounding the converter with a 16 AWG (minimum) wire, using as short of an extension length as possible.

NOTE: You may hear a "buzzing" sound being emitted from inexpensive sound systems when operated with the converter. This is due to ineffective filters in the sound system's power supply.

Unfortunately, this problem can only be resolved by purchasing a sound system with a higher quality power supply or higher quality filter.

USING THE USB PORT(S)

The USB port provides up to 2A at 5V DC.

Model PC-2000 includes one port.

Model PC-3000 includes two ports.

1. Plug the device into the USB port.
2. Turn the USB device on.
3. Reverse these steps when finished using the USB port.

WARNING: The converter draws power, even when the switch is OFF. To avoid battery drain, disconnect the converter when not in use.

10. POWER SOURCE

Your average automobile battery at full charge will provide an ample power supply to the converter when the engine is on. Keep the car running at all times when using the converter. The actual length of time the converter will function depends on the age and condition of the battery and the power demand being placed by the device being operated with the converter.

When possible, recharge your batteries when they are not more than 50% discharged. This gives the batteries a much longer life cycle than recharging when they are more deeply discharged.

The power converter has a battery low voltage shutdown at $10V \pm 0.5V$ DC. With moderate to heavy loads, this will protect against over-discharging the battery. If the converter is running only light loads it is advisable to recharge before the converter low voltage shutdown point is reached.

IMPORTANT: The converter draws low amperage from the battery with the main ON/OFF switch turned on and no load connected. To prevent battery discharge, turn the converter off when you are not using it.

11. LED INDICATOR AND SHUTDOWN PROTECTION

The Green LED lights automatically when then converter is plugged into a 12 volt DC power source and is turned on. The Red LED lights and the converter automatically turns itself off under the following conditions:

1. When the power input from the vehicle's battery drops to approximately 10.5 volts, the Red LED lights. When the voltage goes down below 10 VDC, the converter shuts off. *Recharge or replace the battery.*
2. When the power input from the vehicle's battery exceeds 15.5 volts, high voltage overload protection occurs.

3. The continuous load demand from the equipment or device being operated exceeds the continuous load rating of the converter. *Use a higher capacity converter or lower rated device.*
4. The thermal resistor exceeds $80^{\circ}C$ ($176^{\circ}F$). *Allow the converter to cool. Do not block the cooling slots or air flow over and through the converter. Reduce the load on the converter to the continuous rated output.*

RESET: To reset after shutdown occurs, switch the converter's ON/OFF switch to the OFF (O) position. Check the source of the problem and correct. Switch the converter's ON/OFF switch to the ON (I) position.

12. IF THE CONVERTER'S FUSE BLOWS

- 12.1 Your power converter is fitted with fuses, which should not have to be replaced under normal operating conditions. A blown fuse is usually caused by reverse

polarity or a short circuit within the device or equipment being operated.

- 12.2 If a fuse does blow, take the converter to a qualified technician for repair.

13. MAINTENANCE AND STORAGE INSTRUCTIONS

- 13.1 Before each use, ensure that all of the converter's components are in place and in good working condition.
- 13.2 After use and before performing maintenance, unplug and disconnect the converter.
- 13.3 Use a clean, dry cloth to wipe external surfaces of the converter's case.

- 13.4 Servicing does not require opening the unit, as there are no user-serviceable parts. All servicing should be performed by qualified service personnel.
- 13.5 Store inside, in a cool, dry place, out of the reach of children.
- 13.6 Recycle or properly dispose of internal electrical components.

14. TROUBLESHOOTING

PROBLEM	POSSIBLE CAUSE	SOLUTION
Low or no output voltage.	Poor contact at terminals.	Disconnect and reconnect the 12V connections.
	Using incorrect type of voltmeter to test output voltage.	Use a true RMS reading meter.
Red LED is lit.	The battery voltage is below 10.5 volts.	Recharge or replace the battery.
	The equipment being operated is drawing too much power.	Use a higher capacity converter; do not use with this equipment.
	The converter is too hot (thermal shutdown).	Allow converter to cool. Check for adequate ventilation. Reduce the load on the converter to the rated continuous power output.
Device does not operate properly when first connected to the converter.	The converter may not have the required capacity to operate the device.	Turn the converter switch OFF and ON, to reset the converter.

15. SPECIFICATIONS

PC-2000

Continuous output power	2000 W
Surge output power (0.1 second)	4000 W
Nominal input voltage	12.8-13.2 VDC
Nominal output voltage	110-125 VAC
Operating input voltage range	10.0-15.0 VDC
Output frequency	60 Hz±3 Hz
Maximum no load current draw (at nominal input voltage)	1.5 ADC
Full load input current	180 ADC
Maximum efficiency	90%
Input overvoltage shutdown (at no load)	16±0.5VDC
Input undervoltage shutdown (at no load)	10.0±0.5VDC
Input undervoltage warning (buzzer)	10.5±0.5VDC
Output power overload shutdown level	2200W±200 W
Output waveform	Modified sine wave
AC receptacles	Three, NEMA 5-15 USA
USB port	One, 5V/2A
Internal fuses	8x30A/250V, blade fuse
Overload protection	Yes
Battery cables	Two black and two red
Ground wire	One green

PC-3000

Continuous output power	3000 W
Surge output power (0.1 second)	6000 W
Nominal input voltage	12.8-13.2 VDC
Nominal output voltage	110-125 VAC
Operating input voltage range	10.0-15.0 VDC
Output frequency	60 Hz±3 Hz
Maximum no load current draw (at nominal input voltage)	1.5 ADC
Full load input current	280 ADC
Maximum efficiency	90%
Input overvoltage shutdown (at no load)	16±0.5VDC
Input undervoltage shutdown (at no load)	10.0±0.5VDC
Input undervoltage warning (buzzer)	10.5±0.5VDC
Output power overload shutdown level	3200W±200 W
Output waveform	Modified sine wave
AC receptacles	Four, NEMA 5-15 USA
USB ports	Two, 5V/2A
Internal fuses	8x40A/250V, blade fuse
Overload protection	Yes
Battery cables	Two black and two red
Ground wire	One green

16. REPLACEMENT PARTS

NOTE: These models require 2 of each battery cable. Order 2 pieces.

PC-2000:

Battery cable (black)	3899003407Z
Battery cable (red)	3899003408Z

PC-3000:

Battery cable (black)	3899003409Z
Battery cable (red)	3899003410Z

17. BEFORE RETURNING FOR REPAIRS

If these solutions do not eliminate the problem, or for more information about troubleshooting, contact customer service for assistance:

services@schumacherelectric.com
www.batterychargers.com
or call 1-800-621-5485
Monday-Friday 7:00AM to 5:00PM CST

For **REPAIR OR RETURN**, contact Customer Service at 1-800-621-5485. **DO NOT SHIP UNIT** until you receive a **RETURN MERCHANDISE AUTHORIZATION (RMA)** number from Customer Service at Schumacher Electric Corporation.

18. LIMITED WARRANTY

WARRANTY NOT VALID IN MEXICO.

SCHUMACHER ELECTRIC CORPORATION, 801 BUSINESS CENTER DRIVE, MOUNT PROSPECT, IL 60056-2179, MAKES THIS LIMITED WARRANTY TO THE ORIGINAL RETAIL PURCHASER OF THIS PRODUCT. THIS LIMITED WARRANTY IS NOT TRANSFERABLE OR ASSIGNABLE.

Schumacher Electric Corporation (the "Manufacturer") warrants this converter for one (1) year from the date of purchase at retail against defective material or workmanship that may occur under normal use and care. If your unit is not free from defective material or workmanship, Manufacturer's obligation under this warranty is solely to repair or replace your product with a new or reconditioned unit at the option of the Manufacturer. It is the obligation of the purchaser to forward the unit, along with proof of purchase and mailing charges prepaid to the Manufacturer or its authorized representatives in order for repair or replacement to occur.

Manufacturer does not provide any warranty for any accessories used with this product that are not manufactured by Schumacher Electric Corporation and approved for use with this product. This Limited Warranty is void if the product is misused, subjected to careless handling, repaired, or modified by anyone other than Manufacturer or if this unit is resold through an unauthorized retailer.

Manufacturer makes no other warranties, including, but not limited to, express, implied or statutory warranties, including without limitation, any implied warranty of merchantability or implied warranty of fitness for a particular purpose. Further, Manufacturer shall not be liable for any incidental, special or consequential damage claims incurred by purchasers, users or others associated with this product, including, but not limited to, lost profits, revenues, anticipated sales, business opportunities, goodwill, business interruption and any other injury or damage. Any and all such warranties, other than the limited warranty included herein, are hereby expressly disclaimed and excluded. Some states do not allow the exclusion or limitation of incidental or consequential damages or length of implied warranty, so the above limitations or exclusions may not apply to you. This warranty gives you specific legal rights and it is possible you may have other rights which vary from this warranty.

THIS LIMITED WARRANTY IS THE ONLY EXPRESS LIMITED WARRANTY AND THE MANUFACTURER NEITHER ASSUMES OR AUTHORIZES ANYONE TO ASSUME OR MAKE ANY OTHER OBLIGATION TOWARDS THE PRODUCT OTHER THAN THIS WARRANTY.

Schumacher® and the Schumacher logo are registered trademarks of Schumacher Electric Corporation.

1. INSTRUCCIONES IMPORTANTES DE SEGURIDAD

GUARDE ESTAS INSTRUCCIONES.

1.1 GUARDE ESTAS INSTRUCCIONES.

Este manual contiene instrucciones de seguridad y de funcionamiento importantes para los modelos convertidores **PC-2000** y **PC-3000**. Este manual le mostrará cómo utilizar su convertidor en forma segura y efectiva. Por favor, lea, comprenda y siga estas instrucciones y precauciones cuidadosamente.

ADVERTENCIA: EL RIESGO DE DESCARGA ELÉCTRICA O INCENDIO.

- 1.2 **ADVERTENCIA:** Conforme a la Propuesta 65 de California, este producto contiene químicos de los cuales en el estado de California se tiene conocimiento que provocan cáncer y malformaciones congénitas u otras lesiones reproductivas. Lávese las manos después de usar.
- 1.3 **ADVERTENCIA:** Las personas con marcapasos deben consultar a su médico (s) antes de utilizar el convertidor. Los campos electromagnéticos en las proximidades de un marcapasos cardíaco pueden provocar interferencias de marcapasos o fracaso marcapasos.
- 1.4 **IMPORTANTE: No utilice en una aplicación marina.**
- 1.5 Manténgase alejado de los niños.
- 1.6 No exponga el convertidor a la lluvia o a la nieve.
- 1.7 El uso de un accesorio no recomendado o suministrado por el fabricante de la unidad puede provocar riesgo de incendio, descarga eléctrica o lesiones a personas.
- 1.8 No desarme el convertidor; hágalo revisar por una persona capacitada que efectúe reparaciones cuando necesite servicio de mantenimiento o una reparación. Volver a ensamblar el convertidor en forma incorrecta puede provocar riesgo de incendio o descarga eléctrica.
- 1.9 Para reducir el riesgo de descarga eléctrica, desenchufe la unidad del tomacorriente antes de intentar llevar a cabo cualquier actividad de mantenimiento o limpieza. Apagar los controles no reducirá este riesgo.
- 1.10 Para un uso más eficiente, coloque el convertidor de corriente sobre una superficie plana.
- 1.11 Mantenga el convertidor bien ventilado para dispersar apropiadamente el calor generado cuando está en uso. Asegúrese de que haya varias pulgadas de libramiento

alrededor de la parte superior y lados y no bloquee las ranuras del convertidor.

- 1.12 No coloque el convertidor en áreas tales como compartimientos de baterías o compartimientos del motor donde los vapores o gases pueden acumularse.
- 1.13 **NO OPERE** el convertidor si usted, el convertidor, el dispositivo a ser operado o cualquier otra superficie que puede entrar en contacto con cualquier fuente de energía está húmeda. El agua y muchos otros líquidos pueden conducir electricidad, lo cual puede llevar a una lesión seria o la muerte.
- 1.14 No coloque el convertidor sobre o cerca de ventilas de calefacción, radiadores u otras fuertes de calor o materiales inflamables.
- 1.15 No coloque el convertidor en la luz directa del sol. La temperatura del aire ideal para la operación es entre 50° y 80°F.
- 1.16 Solamente conecte el convertidor de energía a una toma de corriente accesoria de 12V o a una batería de 12V. No intente conectar el convertidor a cualquier otra fuente de energía, incluyendo una fuente de energía de CA (corriente alterna). El conectarlo a una batería de 6V o 16 V dañará el convertidor.
- 1.17 No lo utilice con sistemas eléctricos de tierra positiva.
- 1.18 Asegúrese de que el enchufe de CA esté bien apretada.
- 1.19 No modifique la toma de CA o USB de ninguna manera.
- 1.20 No trate de extender o cambiar de forma alguna el cable de corriente de 12V sujeto a su convertidor. Asegúrese de que las conexiones queden bien sujetas.
- 1.21 La operación incorrecta de su convertidor puede resultar en daño y lesión personal.
ADVERTENCIA: La salida del convertidor es de 120V CA y puede dar una descarga o electrocutar igual que cualquier toma de corriente de pared doméstica de CA ordinaria o su equivalente.
- 1.22 No utilice el convertidor con un producto que absorba mayor cantidad de watts que el convertidor pueda proveer, esto podría causar daño al convertidor y al producto.
- 1.23 Este dispositivo no incluye un Interruptor de Circuito con Conexión a Tierra (GFCI por sus siglas en inglés) interno. Para protección de GFCI, use un Cable Coleman 02822 toma de corriente GFCI.

2. PRECAUCIONES PERSONALES

- 2.1 Restricciones de uso:** Este convertidor no se puede utilizar con dispositivos o sistemas de soporte vital. El incumplimiento de este convertidor puede esperar razonablemente causar fallo de ese dispositivo de soporte de vida o sistema, o para afectar la seguridad o eficacia de ese dispositivo o sistema.
- 2.2** Use protección completo de los ojos y la ropa de protección cuando trabaje cerca de baterías de plomo-ácido. Siempre
- 2.3** Retire todos los objetos metálicos de su cuerpo (anillos, pulseras, collares y relojes). Una batería puede producir una corriente de cortocircuito lo suficientemente alta como para soldar un anillo al metal, lo que ocasionaría una quemadura grave.
- 2.4** NUNCA fume o permita la presencia de chispas o llamas en la proximidad de una batería o motor.

3. UBICACIÓN DEL CONVERTIDOR

- 3.1** Nunca ubique la unidad directamente por encima de la batería; los gases de la batería corroerán y dañarán el convertidor.
- 3.2** Nunca permita que el ácido de la batería gotee sobre la unidad cuando leer el peso
- 3.3** No utilice el convertidor en un área cerrada o restrinja la ventilación en cualquier forma.

4. CARACTERÍSTICAS

- **Interruptor de balancín de Encendido/ Apagado (ON/OFF)**
- **Indicador LED**
Verde = Energía ENCENDIDA
Roja = Sobrecarga / interrupción en la energía.
- **Cable de energía de 12V**
- **Tomacorrientes 120V AC estándar**
Modelo PC-2000 tiene tres salidas AC
Modelo PC-3000 incluye cuatro salidas AC
- **Puerto(s) USB – 5V, 2,0A**
Modelo PC-2000 tiene un puerto
Modelo PC-3000 incluye dos puertos
- **Abanicos de enfriamiento de alta velocidad (2)**
Para mantener el convertidor fresco, los ventiladores aceleran a medida que aumenta la carga. los ventiladores no funcionan cuando el convertidor está apagado.
- **Terminal Positiva del cable de la batería (roja)**
- **Terminal Negativa del cable de la batería (Negra)**
- **Termina la tierra y cable de tierra**
Conecta a tierra el convertidor para reducir la descarga eléctrica.
- **Protección térmica**
Cuando el resistor térmico supera los 80 ° C (176 ° F), el convertidor se apaga, hasta que se enfríe, y luego se reinicia automáticamente.
- **Protección contra sobretensión**
Cuando la entrada de energía de la batería del vehículo excede 15,5V, el convertidor se apaga.
- **Protección contra batería baja**
Cuando la entrada de alimentación de la batería del vehículo cae por debajo de 10 voltios, se encenderá el LED rojo, y el convertidor se apagará.

5. ANTES DE USAR SU CONVERTIDOR

No utilice el convertidor con un producto que absorba mayor cantidad de watts que el convertidor pueda proveer, esto podría causar daño al convertidor y al producto. Cuando usted enciende un dispositivo o una herramienta que funciona con un motor, el dispositivo básicamente pasa a través de dos etapas:

- 1. Arranque** – Requiriendo una subida inicial de voltaje (comúnmente conocida como carga de “inicio” o “pico”)
- 2. Operación Continua** – El consumo de energía descende (comúnmente conocido como la “carga continua”).

El vataje (WATTS) o amperaje (AMPS) pueden ser encontrados normalmente estampados o impresos en la mayoría de los dispositivos y equipo, o en el manual del usuario. Por lo demás, comuníquese con el fabricante para averiguar si el dispositivo que usted quiere usar es compatible con una onda senoidal modificada.

Para calcular el vataje:

Vataje = AMPS x 120 (Voltaje CA).

Para calcular la carga de arranque:

Carga de Arranque = 2 x WATTS.

En general, la carga de arranque del dispositivo o herramienta eléctrica

determina si su convertidor tiene la capacidad de hacerlo funcionar.

Para calcular la carga continua:

Carga Continua = AMPS x 120 (Voltaje CA).

IMPORTANTE: Siempre corra una prueba para establecer si el convertidor operará una pieza particular de equipo o dispositivo. En caso de una sobrecarga de corriente, el convertidor está diseñado para apagarse automáticamente.

Ésa característica de seguridad evitará dañar el convertidor mientras se prueban dispositivos y equipo dentro del ámbito de vataje del convertidor.

Si un dispositivo no funciona apropiadamente cuando se conecta por primera vez al convertidor, de vuelta al interruptor breaker a Encendido (ON) (I), Apagado (OFF) (O) y nuevamente Encendido (ON) (I) en rápida sucesión. Si este procedimiento no tiene éxito, es probable que el convertidor no tenga la capacidad requerida para operar el dispositivo en cuestión.

IMPORTANTE: Este convertidor utiliza una forma de onda (diagrama A), que no es exactamente lo mismo que acompañada de energía eléctrica (diagrama B).

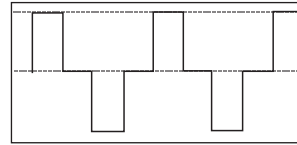
Para los siguientes dispositivos, le recomendamos factiblemente que tenga cuidado y revise el manual del dispositivo para asegurarse de que es compatible con la forma de onda modificada:

1. Fuentes energía de en forma de conmutador
2. Líneas de corriente eléctrica
3. Transformadores clase2
4. Condensadores de capacidad

5. Motores ligeros.
6. Motores de ventilador
7. Hornos de microondas
8. Lámparas flourescentes y de alta intensidad (con balastra)
9. Cargadores de baterías sin transformador

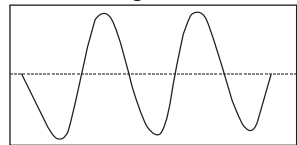
Uso del convertidor con cualquiera de estos dispositivos puede hacer que el dispositivo funcione más caliente o sobrecalentamiento.

Diagrama A



Seno modificada de forma de onda producido por el convertidor

Diagrama B



Sinusoidal pura forma de onda típico de la casa de la toma de CA

IMPORTANTE: Si usted esta usando el convertidor de energía para operar un cargador de baterías, monitoree la temperatura del cargador de baterías por aproximadamente 10 minutos. Si el cargador de baterías se pone anormalmente caliente, desconéctelo del convertidor inmediatamente.

6. PARA SUJETAR EL CONVERTIDOR A UNA SUPERFICIE PLANA

Por comodidad su convertidor puede ser sujetado a una superficie plana, horizontal. El área donde el convertidor será sujetado debe ser seca, bien ventilada y estar alejada de cualquier material o gases combustibles.

1. Apague y desconecte el convertidor.
2. Coloque la parte posterior del convertidor con el soporte de montaje contra una superficie segura y plana.
3. Sujete el convertidor a la superficie plana usando tornillos resistentes a la corrosión.

7. PARA CONECTAR LOS CABLES DEL CONVERTIDOR

El convertidor y la fuente de energía deben estar en el modo OFF (apagado).

IMPORTANTE: Asegúrese de conectar su convertidor a una fuente de energía de 12V solamente.

Para evitar descarga eléctrica, es necesario conectar a tierra el convertidor así como el dispositivo que le da energía.

El convertidor debe ser conectado a tierra usando un alambre de cobre calibre 16 AWG (incluido).

NOTA: No encienda el convertidor o la fuente de energía hasta que el convertidor y la fuente de energía estén conectados a tierra.

PARA CONECTAR A TIERRA EL CONVERTIDOR

1. Apague y desconecte el convertidor.
2. Ubique el tornillo a tierra del chasis sobre en la parte posterior del convertidor.
3. Quite la tuerca hexagonal externa y afloje la segunda tuerca hexagonal.
4. Acople el conector del anillo del cable de tierra al terminal de tierra del convertidor.
5. Apriete la tuerca hexagonal que aflojó hasta que esté segura. Luego, reemplace la otra tuerca hexagonal y apriétela hasta que esté segura.
6. Sujete la otra punta del alambre a una ubicación conectada a tierra de forma apropiada:

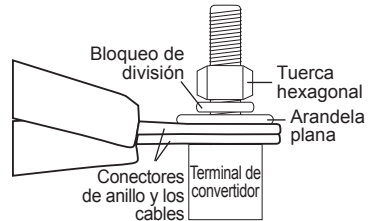
Vehículo: Conecte al chasis, parte sin pintar del bastidor, o bloque del motor del vehículo.

Ubicación Fija: Conectar con una varilla a tierra u otra conexión a tierra apropiadamente clasificada.

CONECTAR LOS CABLES DEL CONVERTIDOR AL CONVERTIDOR

1. Localice los terminales positivo y negativo de la parte izquierda del convertidor.
2. Desde los terminales del POSITIVO (ROJO) y el NEGATIVO (NEGRO), quite la tuerca hexagonal, y la arandela plana del bloqueo de división.
3. Coloque los conectores de anillo POSITIVOS (ROJO) en el terminal POSITIVO (ROJO) del convertidor. Coloque los conectores de anillo NEGATIVOS (NEGRO) en el terminal NEGATIVO (NEGRO) del convertidor.
4. Coloque una arandela plana y de presión dividida en la parte superior

de cada conector de anillo. Coloque una tuerca hexagonal sobre éstos y apriete.



CONVERTIDOR A UNA BATERÍA DE 12V O UNA FUENTE DE ENERGÍA DE 12V

1. Mantenga las manos, cabello, ropa y joyería alejados de las terminales de la batería.
2. Usé protección para ojos y ropa de protección.
3. En un vehículo con descarga a tierra por borne negativo (**no lo utilice con sistemas eléctricos de tierra positiva**), conecte el terminal de anillo POSITIVA (ROJA) del convertidor de batería al borne POSITIVA (POS, P, +) sin descarga a tierra de la batería. Conecte el terminal de anillo NEGATIVA (NEGRA) al chasis del vehículo o al bloque motor alejado de la batería. No conecte la pinza al carburador, líneas de combustible o cuerpos metálicos. Conecte a una pieza metálica de calibre grueso del marco o del bloque motor.
4. Para desconectar el convertidor, quite primero el terminal negativo y luego el positivo.

IMPORTANTE: El no hacer las conexiones correctas resultará en fusibles quemados y daño permanente el convertidor.

8. INSTRUCCIONES PARA UN BANCO DE BATERÍAS

MONTAJE DEL BANCO DE BATERÍAS

ADVERTENCIA: Lea estas instrucciones de seguridad antes de ensamblar el banco de baterías.

- Conecte las baterías **SÓLO** en paralelo (terminales negativos, junto a uno de los cables; terminales positivos junto al otro cable), como se muestra en el *Ejemplo del Banco de la Batería*.
- No conecte las baterías de 12 V en una serie con el negativo de una batería conectada al positivo de la siguiente.

PELIGRO: LA CONEXIÓN INCORRECTA PUEDE RESULTAR EN TENSIÓN LO SUFICIENTEMENTE ALTA COMO PARA CAUSAR ELECTROCUCIÓN.

- Mientras que el montaje del banco de baterías, usar gafas de seguridad aprobados por ANSI resistente a salpicaduras y guantes aislados eléctricamente.
- Conecte únicamente baterías similares juntos en un banco de baterías. No conecte viejo a lo nuevo, las baterías de plomo a gel celdas, o baterías con diferentes capacidades.
- Utilice cables de extensión con el calibre especificado (o más grueso).

PC-2000

- 6' o menos: 6 AWG (dos conjuntos)
- 6-10': 4 AWG (dos conjuntos)

PC-3000

- 6' o menos: 4 AWG (dos conjuntos)
- 6-10': 2 AWG (dos conjuntos)

**ADVERTENCIA:
RIESGO DE GASES EXPLOSIVOS.**

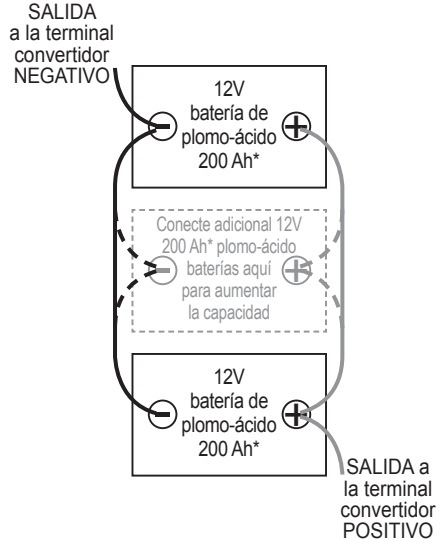
- Ensamble el banco de baterías en un lugar limpio, bien ventilado, lejos de fuentes de ignición y materiales inflamables.
- Para reducir el riesgo de explosión de la batería, siga estas instrucciones y las publicadas por el fabricante de la batería y el fabricante de cualquier equipo que vaya a utilizar en cerca de una batería. Revise las indicaciones sobre precauciones en estos productos.

CONEXIÓN DE LAS BATERÍAS EN PARALELO

1. Primero conectar todos los terminales positivos entre sí.
2. A continuación, conectar todos los terminales negativos entre sí.
3. Conecte los cables de salida negativos y positivos a los extremos opuestos del banco. **No permita que los cables de salida se toquen entre si.**
4. Prueba de las tensiones en los cables de salida, para asegurarse de que el banco de baterías está conectado correctamente.
5. Si la tensión es superior a 13 voltios, parte del grupo de baterías está probablemente conectado en serie (un terminal negativo de una batería conectada a un terminal positivo de la otra) en lugar de en paralelo.
6. Examine con cuidado el diagrama y corregir el cableado antes de conectar el convertidor.

7. Asegúrese de que el interruptor del convertidor está ajustado en APAGADO (O).
8. Conecte los cables de salida del banco de baterías para el convertidor.

**Ejemplo:
12V / 400 Ah†
BANCO DE BATERÍAS**



†Banco Capacidad =
(capacidad única batería) x (# de las baterías)
400 Ah de capacidad es de (2) 200 Ah baterías.
* 200 Ah baterías muestran para fines de ilustración.

9. INSTRUCCIONES DE OPERACIÓN

1. Conecte el convertidor (ver la sección *Para Conectar los Cables del Convertidor*).
2. Cambie el interruptor del convertidor a la posición de ON (encendido / I).
3. La luz del indicador LED debe brillar VERDE verificando que el convertidor está recibiendo energía.
4. Cambie el interruptor de balancín del convertidor a la posición de OFF (apagado / O). (El indicador de energía LED VERDE puede parpadear brevemente y/o la bocina interna puede hacer un breve "bip". Esto es normal.)
5. Asegúrese de que el dispositivo a ser operado este OFF (apagado).
6. Conecte el dispositivo en la toma de corriente CA del convertidor.
7. Cambie el interruptor del convertidor a la posición de ON (encendido / I).

8. Enciende el dispositivo.
9. Para desconectar, invierta el procedimiento anterior.

NOTA: Si se va a dar energía a más de un dispositivo, inicie un dispositivo a la vez para evitar una sobretensión de energía y sobrecargar el convertidor. La sobretensión de cada dispositivo no debe exceder el ámbito de vataje de Operación Continúa el convertidor.

IMPORTANTE: El uso del convertidor con algunos dispositivos recargables puede dañar el convertidor y / o dispositivo. Si utiliza el convertidor para operar un dispositivo recargable, controlar la temperatura del convertidor durante unos 10 minutos. Si el convertidor se vuelve anormalmente caliente, desconectarlo del dispositivo de inmediato; no utilice el dispositivo con el convertidor.

PARA USAR EL CONVERTIDOR PARA OPERAR UNA TELEVISIÓN O DISPOSITIVO DE SONIDO

El convertidor está protegido y filtrado para minimizar la interferencia con la señal. A pesar de esto, alguna interferencia puede ocurrir con la imagen de su televisión, especialmente con señales débiles. Abajo y algunas sugerencias para tratar y mejorar la recepción.

1. Trate de alterar la posición del convertidor, los cables de la antena y el cable de corriente de la televisión. Agregue un cable de extensión del convertidor a la televisión para aislar el cable de energía y los cables de la antena de la fuente de energía de 12V.
2. Intente enrollar el cable de energía de la televisión y los cables de aporte que van de la fuente de energía de 12V al convertidor.
3. Fije uno o varios "Filtros de Línea de Datos de Ferrita" al cable de energía de la televisión. Los Filtros de Línea de Datos de Ferrita pueden comprarse la mayor parte de las tiendas de partes electrónicas.

4. Trate de poner a tierra el convertidor con un 16 AWG (mínimo), utilizando como menos que una longitud de extensión posible.

NOTA: Usted puede escuchar un sonido de "zumbido" siendo emitido de sistemas de sonido baratos cuando son operados con el convertidor. Esto es debido a filtros inefectivos en el abastecimiento de energía del sistema de sonido. Lamentablemente, este problema solamente puede ser resuelto comprando un sistema de sonido con una calidad más alta de abastecimiento de sonido o un filtro de más alta calidad.

UTILIZANDO EL PUERTO USB(S)

El puerto USB provee poco más de 2,0A por 5V de CD.

Modelo PC-2000 incluye un puerto. Modelo PC-3000 incluye dos puertos.

1. Conecte el aparato en el puerto USB.
2. Encienda el aparato USB.
3. Una vez terminado el uso del USB, desconecte en forma reversible.

ADVERTENCIA: El convertidor absorbe energía, aún estando el interruptor apagado. Para evitar la descarga de la batería, desconectar el convertidor cuando no esté en uso.

10. FUENTE DE ENERGÍA

La batería de su automóvil en la carga completa proporcionará un poder amplio suministro al convertidor cuando el motor está encendido. Mantener el coche en marcha en todo momento al utilizar el convertidor. El tiempo total que el convertidor funcionará depende de la edad y condición de la batería y de la demanda de energía colocada por el dispositivo siendo operado con el convertidor.

Cuando sea posible, recargar las baterías cuando no son más del 50% de descargado. Esto le da a las baterías de un ciclo de vida mucho más larga que la recarga cuando están más

profundamente descargadas.

El convertidor de energía tiene una apagamiento por baja tensión 10 V \pm 0,5 V CC. Con moderadas a fuertes cargas, esto protegerá contra la sobre-descarga de la batería. Si el convertidor está funcionando únicamente para cargas ligeras, es aconsejable recargar antes de alcanzar el punto más bajo parada del voltaje del convertidor.

IMPORTANTE: El convertidor obtiene bajo amperaje de la batería con el interruptor principal ON / OFF encendido y conectado sin carga. Para evitar la descarga de la batería, apague el convertidor cuando no la esté usando.

11. INDICADOR LED Y PROTECCIÓN DE DE APAGADO

La luz LED verde brilla automáticamente cuando se conecta a una fuente de 12V de CD y se enciende. La luz LED roja se ilumina, y el convertidor automáticamente se apaga bajo las siguientes condiciones:

1. Cuando la aportación de energía de la batería del vehículo disminuye aproximadamente 10,5V, la luz LED roja se ilumina. Cuando la tensión cae por debajo de 10 V CC, el convertidor se apaga.

Recargue o reemplace la batería.

2. Cuando la aportación de energía de la batería del vehículo excede 15,5V, la protección de sobrecarga de alto voltaje ocurre.
3. La demanda de carga continua del equipo o dispositivo siendo operado excede la clasificación de carga continua del convertidor siendo usado. *Usar un convertidor de mayor capacidad o un dispositivo de clasificación más baja.*

4. El resistor térmico supera los 80 ° C (176 ° F).
Permita que el convertidor se enfríe. No bloquee las ranuras de enfriamiento o el flujo de aire sobre y a través del convertidor. Reduzca la carga sobre el convertidor a la salida continua clasificada.

RESTABLECER: Para restablecer después de que ocurre el apagado, cambie el interruptor ON/OFF a la posición de OFF (O). Identifique el origen del problema y corríjalo. Cambie el convertidor a la posición ON (I).

12. SI SE QUEMA EL FUSIBLE DEL CONVERTIDOR

Su convertidor de corriente está equipado con un fusible, que no tendría que ser reemplazado bajo condiciones normales de operación. Un fusible quemado es causado usualmente por una polaridad

inversa como un cortocircuito dentro del dispositivo o equipo siendo operados. Si el fusible se quema, lleve el convertidor a un técnico calificado para reparaciones.

13. INSTRUCCIONES DE MANTENIMIENTO Y ALMACENAMIENTO

- 13.1 Antes de cada uso, asegúrese de que todos los componentes del convertidor están en su lugar y en buenas condiciones de trabajo.
- 13.2 Después de su uso y antes de realizar el mantenimiento, desenchufe y desconecte el convertidor.
- 13.3 Utilice un paño limpio y seco para limpiar las superficies externas del caso del convertidor.

- 13.4 Para realizar mantenimiento no es necesario abrir la unidad, ya que no hay partes que el usuario. Todo el servicio debe ser realizado por personal técnico cualificado.
- 13.5 Guarde en el interior, en un lugar fresco y seco, fuera del alcance de los niños.
- 13.6 Reciclar o desechar correctamente los componentes eléctricos internos.

14. LOCALIZACIÓN Y SOLUCIÓN DE PROBLEMAS

PROBLEMA	CAUSA POSIBLE	SOLUCIÓN
Tensión de salida baja o nula.	Mal contacto en las terminales. El uso del tipo incorrecto de voltímetro para probar el voltaje de salida.	Desconecte y vuelva a conectar las conexiones de 12V. Utilice un medidor de lectura RMS verdadero.
El LED rojo se ilumina.	El voltaje de la batería está por debajo 10,5 voltios. El equipo que está siendo operado consume demasiada energía. El convertidor está demasiado caliente (apagado térmico).	Recargue/reemplace la batería. Utilice un convertidor de mayor capacidad; no utilizar con este equipo. Permita que se enfríe convertidor. Compruebe si hay una ventilación adecuada. Reduzca la carga en el convertidor a la salida de potencia continua nominal.
El dispositivo no funciona correctamente cuando se conecta por primera vez al convertidor.	El convertidor puede no tener la capacidad necesaria para hacer funcionar el dispositivo.	Gire el interruptor del convertidor de OFF y ON, para reiniciar el convertidor.

15. ESPECIFICACIONES

PC-2000

Potencia de salida continua	2000 W
Sobretensiones de potencia de salida (0,1 segundos).....	4000 W
Tensión nominal de entrada.....	12,8-13,2 V DC
Tensión nominal de salida.....	110-125 V AC
Tensión de entrada de funcionamiento.....	10,0-15,0 V DC
Frecuencia de salida.....	60 Hz±3 Hz
Máxima corriente sin carga (con la tensión nominal).....	1,5 A DC
Corriente de entrada a plena carga	180 A DC
Eficiencia máxima.....	90%
Apagamiento por sobretensión en la entrada (sin carga).....	16±0,5 V DC
Apagamiento por baja tensión de entrada (sin carga).....	10±0,5 V DC
Advertencia por baja tensión de entrada (zumbador).....	10,5±0,5 V DC
Nivel de apagado para la sobrecarga de potencia de salida.....	2200 W±200 W
Forma de onda.....	Onda senoidal modificada
Tomas de corriente AC.....	Tres, NEMA 5-15 USA
Puerto USB.....	Uno, 5 V / 2 A
Fusibles internos.....	8 x 30 A / 250 V, fusible de lamina
Protección de sobrecarga.....	Sí
Cables de la batería.....	Dos negro y dos rojo'
Cable de tierra	Uno verde

PC-3000

Potencia de salida continua	3000 W
Sobretensiones de potencia de salida (0,1 segundos).....	6000 W
Tensión nominal de entrada.....	12,8-13,2 V DC
Tensión nominal de salida.....	110-125 V AC
Tensión de entrada de funcionamiento.....	10,0-15,0 V DC
Frecuencia de salida.....	60 Hz±3 Hz
Máxima corriente sin carga (con la tensión nominal).....	1,5 A DC
Corriente de entrada a plena carga	280 A DC
Eficiencia máxima.....	90%
Apagamiento por sobretensión en la entrada (sin carga).....	16±0,5 V DC
Apagamiento por baja tensión de entrada (sin carga).....	10±0,5 V DC
Advertencia por baja tensión de entrada (zumbador).....	10,5±0,5 V DC
Nivel de apagado para la sobrecarga de potencia de salida.....	3200 W±200 W
Forma de onda.....	Onda senoidal modificada
Tomas de corriente AC.....	Cuatro, NEMA 5-15 USA
Puertos USB	Dos, 5 V / 2 A
Fusibles internos.....	8 x 40 A / 250 V, fusible de lamina
Protección de sobrecarga.....	Sí
Cables de la batería.....	Dos negro y dos rojo
Cable de tierra	Uno verde

16. PIEZAS DE REPUESTO

NOTA: Estos modelos requieren 2 de cada cable de la batería. Pedido 2 piezas.

PC-2000:

Cable de batería (negro).....	3899003407Z
Cable de batería (rojo).....	3899003408Z

PC-3000:

Cable de batería (negro).....	3899003409Z
Cable de batería (rojo).....	3899003410Z

17. ANTES DE DEVOLVER A REPARACIONES

Si estas soluciones no eliminan el problema o si desea obtener más información sobre la solución de problemas, póngase en contacto con el departamento de servicio al cliente para recibir asistencia:

services@schumacherelectric.com
www.batterychargers.com
o llame 1-800-621-5485

Lunes-viernes 7:00am to 5:00pm CST

Para **REPARACIÓN O DEVOLUCIÓN**, comuníquese con Servicios al Cliente al 1-800-621-5485. **NO ENVÍE LA UNIDAD** hasta que usted reciba **AUTORIZACIÓN DE DEVOLUCIÓN DE MERCANCÍA (RMA)** de Servicios al Cliente de Schumacher Electric Corporation.

18. GARANTÍA LIMITADA

GARANTIA LIMITADA NO VALIDA EN MEXICO.

SCHUMACHER ELECTRIC CORPORATION, 801 BUSINESS CENTER DRIVE, MOUNT PROSPECT, IL 60056-2179, REALIZA LA PRESENTE GARANTÍA LIMITADA AL COMPRADOR MINORISTA ORIGINAL DE ESTE PRODUCTO. LA PRESENTE GARANTÍA LIMITADA NO PUEDE TRANSFERIRSE NI CEDERSE.

Schumacher Electric Corporation (el "Fabricante") otorga garantía por este convertidor por un plazo de un (1) año contados a partir de la fecha de compra por menor por la existencia de cualquier material o de mano de obra defectuosos que pudieran surgir por su uso y cuidado normal. Si su unidad cuenta con material defectuoso o defectos de mano de obra, la obligación de los Fabricantes, conforme a la presente garantía, será simplemente reparar o sustituir el producto por uno nuevo o por una unidad reparada, a elección del fabricante. Es obligación del comprador enviar la unidad con comprobante de compra y los gastos de envío prepagos al fabricante o a sus representantes autorizados para que ésta se pueda reparar o reemplazar.

El Fabricante no presta garantía por los accesorios utilizados con este producto que no sean los fabricados por Schumacher Electric Corporation y que no estén aprobados para su uso con este producto. La presente Garantía Limitada será nula si el producto se utiliza en forma errónea, se trata de manera inadecuada, es reparado o modificado por personas que no sean el Fabricante o si esta unidad es revendida a través de un vendedor minorista no autorizado.

El Fabricante no realiza ninguna otra garantía, incluidas, a título enunciativo, las garantías expresas, implícitas o legales, incluidas, a modo de ejemplo, las garantías implícitas de comerciabilidad o adecuación a un fin específico. Asimismo, el Fabricante no será responsable ante reclamos por daños accidentales, especiales ni directos en los que incurran los compradores, usuarios u otras personas asociadas al producto, incluidas, a título enunciativo, los ingresos y ganancias no percibidos, ventas anticipadas, oportunidades comerciales, el buen nombre, la interrupción de la actividad comercial o cualquier otro daño que haya provocado. Todas las garantías, excepto la garantía limitada incluida en el presente, por medio de la presente, quedan expresamente anuladas y excluidas. Algunos estados no permiten la exclusión ni la limitación de los daños accidentales ni directos o el plazo de garantía implícita, por lo que las limitaciones o exclusiones mencionadas anteriormente podrían no corresponder con su caso. La presente garantía le otorga derechos legales específicos y es probable que usted cuente con otros derechos que podrían diferir de los incluidos en la presente garantía.

LA PRESENTE GARANTÍA LIMITADA ES LA ÚNICA GARANTÍA LIMITADA EXPRESA Y EL FABRICANTE NO ASUME NI AUTORIZA A NADIE A ASUMIR O A ADQUIRIR NINGUNA OTRA OBLIGACIÓN RESPECTO DEL PRODUCTO QUE NO SEA LA PRESENTE GARANTÍA.

Schumacher® y el logo Schumacher son marcas registradas de Schumacher Electric Corporation.

1. CONSIGNES DE SÉCURITÉ IMPORTANTES

CONSERVER CES INSTRUCTIONS.

1.1 CONSERVER CES CONSIGNES.

Veuillez lire, comprendre et suivre ces instructions et précautions attentivement sachant que ce guide contient d'importantes consignes d'utilisation et de sécurité pour les modèles de convertisseurs **PC-2000 et PC-3000**. Ce guide vous montrera comment utiliser votre convertisseur efficacement et en toute sécurité.

AVERTISSEMENT : RISQUE DE CHOC ÉLECTRIQUE OU D'INCENDIE.

1.2 AVERTISSEMENT : Conformément

à la Proposition 65 en Californie, ce produit contient des produits chimiques reconnus par l'état de Californie pour causer des cancers et des malformations congénitales ou d'autres problèmes de reproduction, laver les mains après chaque utilisation.

1.3 AVERTISSEMENT : Les personnes avec un stimulateur cardiaque devraient consulter leur médecin avant d'utiliser le convertisseur. Les champs électromagnétiques à proximité d'un stimulateur cardiaque peuvent provoquer des interférences de stimulateur cardiaque ou d'insuffisance cardiaque.

1.4 IMPORTANT : Ne pas utiliser dans une application marine.

1.5 Ne pas laisser à la portée des enfants.

1.6 Ne pas exposer l'unité à la pluie ou la neige.

1.7 L'utilisation d'un accessoire non recommandé ou vendu par le fabricant peut entraîner des dommages à l'appareil ou des blessures corporelle.

1.8 Ne pas démonter le convertisseur; prenez-le à un technicien qualifié quand une réparation est nécessaire. Un remontage incorrect peut entraîner un risque d'incendie ou de choc électrique.

1.9 Pour réduire les risques de choc électrique, débrancher l'appareil de la prise avant tout nettoyage ou entretien. Désactivation des contrôles ne réduira pas ce risque.

1.10 Pour une efficacité d'utilisation maximale, mettre le convertisseur sur une surface plane.

1.11 Faire en sorte que le convertisseur soit toujours bien ventilé afin que toute la chaleur puisse se dissiper correctement en cours d'utilisation. S'assurer de laisser

plusieurs pouces d'espace tout autour de l'appareil et ne pas boucher les événements à l'arrière du convertisseur.

1.12 Ne pas mettre le convertisseur dans des emplacements tels que des compartiments pour batteries ou moteur ou les fumées et les gaz peuvent s'accumuler.

1.13 NE PAS utiliser le convertisseur si vous-mêmes, le convertisseur, l'appareil en cours d'utilisation ou tout autre surface susceptible d'entrer en contact avec une alimentation électrique, est mouillée. L'eau et de nombreux autres liquides conduisent l'électricité et sont susceptibles de causer des blessures ou même la mort.

1.14 Ne placez pas le convertisseur sur, ou à proximité d'événements, de radiateurs ou autres sources de chaleur ou matériaux inflammables.

1.15 Ne pas exposer le convertisseur aux rayons directs du soleil. La température de service idéale est entre 50 ° et 80 °F.

1.16 Ne pas essayer de brancher le convertisseur sur toute autre source d'alimentation, y compris une source de CA. Raccorder à une batterie 6 ou 16V endommagera le convertisseur.

1.17 Ne pas utiliser avec des systèmes électriques de masse positif.

1.18 S'assurer que la prise CA soit bien mise.

1.19 Ne pas modifier le réceptacle CA de quelque façon que ce soit.

1.20 Ne pas essayer de rallonger ou de changer le bouchon de 12 volts relié à votre convertisseur. Assurez-vous que les connexions du cordon sont serrés.

1.21 Une utilisation incorrecte de votre convertisseur peut causer des blessures ou des dégâts.

AVERTISSEMENT : La sortie du convertisseur est de 120V AC et peut choquer ou électrocuter comme n'importe quelle prise murale domestique ordinaire.

1.22 Ne pas utiliser le convertisseur avec un produit qui consomme une puissance supérieure à celle que peut fournir le convertisseur; ce dernier et le produit pourraient en être endommagés.

1.23 Ce dispositif n'a pas d'interrupteur interne de circuit en cas de problème de mise à la terre (GFCI). Pour protection GFCI, utiliser une prise de GFCI Coleman 02822, ou son équivalent.

2. MESURES DE SÉCURITÉ PERSONNELLE

2.1 Restrictions d'utilisation

Ce convertisseur ne peut pas être utilisé avec des dispositifs ou des systèmes médicaux. Le convertisseur peut s'arrêter de fonctionner ce qui va affecter la sécurité ou l'efficacité du système médical.

2.2 Porter des lunettes et des vêtements de protection lorsque vous travaillez à proximité des batteries au plomb. Toujours avoir quelqu'un à proximité pour vous aider.

2.3 Retirez tous les objets personnels en métal de votre corps, tels que des bagues, bracelets, colliers et montres. Une batterie peut produire un court-circuit suffisamment élevé pour souder une bague de métal, causant de graves brûlures.

2.4 Jamais fumer ou laisser une étincelle ou d'une flamme à proximité de la batterie ou du moteur.

3. EMLACEMENT DU CONVERTISSEUR

3.1 Ne jamais placer l'unité directement au-dessus de la batterie; gaz de la batterie peuvent corroder et endommager le convertisseur.

3.2 Ne jamais laisser l'acide de batterie couler sur l'unité lors de la lecture gravité ou remplissage de la batterie.

3.3 Ne pas faire fonctionner le convertisseur dans un espace clos ou limiter en aucune façon la ventilation.

4. CARACTÉRISTIQUES

- **ON / OFF Sélecteur**
- **Indicateur LED**
Verte indique la mise sous tension
Rouge indique surcharge / Interruption de la puissance
- **12 Volt cordon**
- **120V prises de courant standards**
Modèle PC-2000 comprend 3 prises
Modèle PC-3000 comprend 4 prises
- **Ports USB - 5V, 2.0A**
Modèle PC-2000 avec une sortie
Modèle PC-3000 2 sorties
- **2 ventilateurs de refroidissement à haute vitesse**
Pour garder le convertisseur froid, les ventilateurs accélère lorsque la charge augmente. Les ventilateurs ne fonctionnent pas lorsque le convertisseur est éteint.

- **Batterie borne positive Câble (Rouge)**
- **Batterie borne négatif Câble (Noir)**
- **Borne de terre et le câble de terre**
Branchez a terre, pour protéger contre les chocs électriques.
- **Protection thermique**
Lorsque la résistance thermique est supérieure à 80 ° C (176 ° F), le convertisseur arrête jusqu'à ce qu'il refroidisse, puis redémarre automatiquement.
- **Protection contre les surtensions**
Lorsque l'entrée d'alimentation de la batterie du véhicule est supérieure à 15,5 volts, le convertisseur se ferme.
- **Protection de batterie faible**
Lorsque l'entrée d'alimentation de la batterie du véhicule est moins de 10 volts, le voyant rouge est allumé, et le convertisseur s'arrête.

5. AVANT D'UTILISER VOTRE CONVERTISSEUR

Ne pas utiliser le convertisseur avec un produit qui consomme une puissance supérieure à celle que peut fournir le convertisseur; ce dernier et le produit pourraient en être endommagés.

Lorsque vous allumez un appareil ou un outil fonctionnant sur un moteur, le dispositif passe en principe par deux étapes :

1. Le démarrage – Nécessitant un surcroît de puissance initial (communément connu sous l'appellation de « charge de démarrage » ou « pic de charge »)

2. Fonctionnement continu –

La consommation en énergie chute (communément connu sous l'appellation de « charge continue »)

Les Watts ou les Ampères sont normalement estampillés ou imprimés sur la majorité des appareils et des équipements ou bien dans le manuel de l'utilisateur. Dans le cas contraire, contacter le fabricant pour savoir si le dispositif que vous désirez utiliser est compatible avec une onde sinusoïdale modifiée.

Pour calculer la puissance :

Puissance = Ampères x 120 (tension CA).

Pour calculer la charge de démarrage :
Charge de démarrage = 2 x Watts. En général, la charge de démarrage du dispositif ou de l'outil électrique détermine si votre convertisseur peut l'alimenter.

Pour calculer la charge continue : Charge continue = Ampères x 120 (tension CA).

IMPORTANT : Toujours effectuer un test pour établir si le convertisseur traitera une partie particulière d'un équipement ou un appareil. Dans le cas d'une surcharge de puissance, le convertisseur est conçu pour se couper automatiquement.

Cette fonction de sécurité garantit de ne pas endommager le convertisseur lors du test des appareils et de l'équipement dans la plage de puissance de le convertisseur.

Si un dispositif ne fonctionne pas correctement lorsque connecté au convertisseur, tourner le convertisseur ON / OFF ON, OFF, rapidement. Si cette procédure ne réussit pas, il est probable que le convertisseur ne possède pas la capacité requise pour fonctionner le dispositif en question.

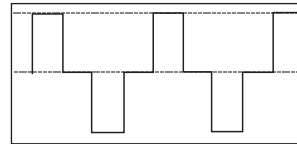
IMPORTANT : Ce convertisseur utilise une forme d'onde sinusoïdale modifiée (schéma A) qui n'est pas tout à fait la même que la compagnie d'électricité de l'électricité (schéma B). Pour les appareils suivants, nous vous recommandons fortement de faire preuve de prudence et de vérifier le manuel de l'appareil pour s'assurer qu'il est compatible avec forme d'onde sinusoïdale modifiée.

1. Alimentations électriques de mode de changement
2. Alimentations électriques linéaires

3. Classe 2 transformateurs
4. Condensateurs de filtre de ligne
5. Moteurs de pôle couverts
6. Moteurs de ventilateur
7. Fours à micro-ondes
8. Les lampes d'intensité fluorescentes et hautes (avec un transformateur)
9. Chargeur sans transformateur

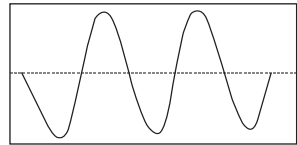
Utilisation du convertisseur avec l'un de ces appareils peut causer le dispositif afin de fonctionner plus chaud ou surchauffer.

Schéma A



Forme d'onde sinusoïdale modifiée produite par le convertisseur

Schéma B



Forme d'onde sinusoïdale pure typique de la sortie de la maison AC

IMPORTANT : Si vous utilisez le convertisseur de puissance pour faire fonctionner un chargeur de batterie, contrôler la température du chargeur de batterie pendant environ 10 minutes. Si le chargeur de batterie est anormalement chaud, débranchez-le de l'convertisseur immédiatement.

6. FIXATION DU CONVERTISSEUR SUR UNE SURFACE PLANE

Pour votre convenance, le convertisseur peut être fixé sur une surface plane, horizontalement. La zone où le convertisseur est fixé doit être sèche, bien ventilée et à l'abri de toute matière combustible ou émanations.

1. Éteignez et débranchez le convertisseur.
2. Placez l'arrière de le convertisseur avec le support de fixation contre une surface plane et stable.
3. Attachez le convertisseur, utilisant des vis résistant à la corrosion.

7. RACCORDER LES CÂBLES SUR LE CONVERTISSEUR

Le convertisseur et la source de puissance doivent être sur OFF.

IMPORTANT : S'assurer de raccorder votre convertisseur à une alimentation 12V uniquement.

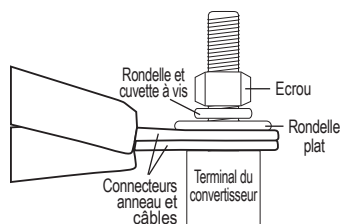
Pour éviter un choc électrique, il est nécessaire pour justifier le convertisseur ainsi que le dispositif de mise sous tension. Le convertisseur doit être mis à la terre, à l'aide d'un câble de cuivre (inclus).

NOTE : Ne mettez pas sur le convertisseur ou la source d'alimentation jusqu'à ce que le convertisseur et la source d'alimentation sont mis à la terre.

CONNECTION A TERRE DU CONVERTISSEUR

1. Éteignez et débranchez le convertisseur.
2. Repérez la vis de terre du châssis à l'arrière du convertisseur.

- Retirer l'écrou hexagonal externe et desserrer le deuxième écrou hexagonal.
- Fixez le connecteur de l'anneau du fil de mise à la terre à la borne du convertisseur de sol.
- Serrer l'écrou hexagonal en toute sécurité. Puis, remplacer l'autre écrou et le serrer fermement.
- Connectez l'autre extrémité du fil à un emplacement à la terre:



Véhicule : Connectez-vous au châssis, non peinte partie de châssis, ou le bloc moteur du véhicule.

Correction de l'emplacement : Se connecter à un piquet de terre ou autre motif dûment qualifié.

CONNEXION CÂBLES CONVERTISSEURS AU CONVERTISSEUR

- Repérez les bornes positives et négatives sur le côté gauche du convertisseur.
- De POSITIVE (ROUGE) et le NÉGATIF (NOIR) bornes, retirez l'écrou hexagonal, verrouillage de fractionnement et la rondelle plate.
- Placez les POSITIVE (ROUGE) connecteurs d'anneau sur le positif (rouge) borne de convertisseur. Placez les NÉGATIVE (NOIRE) connecteurs d'anneau sur le NÉGATIVE (NOIRE) borne de convertisseur.
- Placez une rondelle plate et verrouillage de fractionnement sur le dessus des connecteurs d'anneau. Mettez un écrou hexagonal sur ces et serrer.

RACCORDER DES CÂBLES DU CONVERTISSEUR À UNE BATTERIE OU UNE ALIMENTATION 12V :

- Tenir vos mains, vêtements et bijoux à l'écart des bornes de la batterie.
- Porter des protections vestimentaires et oculaires.
- Pour un véhicule négative à la terre (**ne pas utiliser avec les systèmes électriques au sol positif**), connecter la borne POSITIVE (rouge) de l'anneau du convertisseur à la borne POSITIVE (POS, P, +) de sans fondement de la batterie. Branchez la borne NÉGATIVE (NOIR) de l'anneau sur le châssis du véhicule ou du moteur pâté de maisons de la batterie. Ne pas connecter le terminal au carburateur, aux conduites de carburant ou des parties du corps en tôle. Connectez-vous à un lourd évaluer partie métallique du bloc de châssis ou du moteur.
- Pour déconnecter le convertisseur, retirez d'abord la borne négative, puis la borne positive.

IMPORTANT : Ne pas raccorder correctement fera sauter des fusibles et endommagera de façon permanente le convertisseur.

8. INSTRUCTIONS POUR L'ENSEMBLE DE BATTERIES

ENSEMBLE DES BATTERIES

AVERTISSEMENT : Lisez ces consignes de sécurité avant de monter la banque de la batterie.

- Raccorder les batteries en parallèles (**UNIQUEMENT bornes négatives ensemble pour un câble; bornes positives ensemble câble à l'autre**), comme indiqué dans l'Exemple des batteries
- Ne pas connecter batteries 12V dans une série avec le négatif d'une batterie connectée à la borne positive de la prochaine.

DANGER : FAUX RACCORDEMENT PEUT PROVOQUER UNE TENSION SUFFISAMMENT ÉLEVÉE POUR CAUSER UNE ÉLECTROCUTION.

- Pendant l'assemblage des batteries, porter des lunettes de sécurité et des gants isolés pour l'électricité.
- Connectez batteries SEULEMENT similaires ensemble dans un groupe de la batterie. Ne branchez pas l'ancien au nouveau, ou des batteries avec des capacités différentes.
- Utilisez des câbles d'extension avec calibre spécifié (ou plus).

PC-2000

6' ou moins : 6 AWG (2 jeux de câbles)
6-10' : 4 AWG

PC-3000

6' ou moins : 4 AWG (2 jeux de câbles)
6-10' : 2 AWG

AVERTISSEMENT : RISQUE DE GAZ EXPLOSIFS.

- Monter les batteries dans un endroit propre, bien ventilé, à l'écart des sources d'inflammation et des matières inflammables.
- Pour réduire le risque d'explosion de la batterie, suivez ces instructions et celles publiées par le fabricant de la batterie et fabricant de tout équipement que vous comptez utiliser dans le voisinage d'une batterie. Examiner les mises en garde sur ces produits.

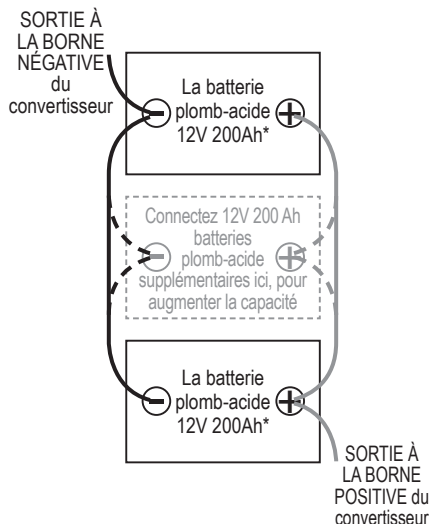
CONNEXION DES BATTERIES EN PARALLÈLE

1. Tout d'abord, l'ensemble de connecter les bornes positives entre elles.
2. Ensuite, connectez toutes les bornes négatives à l'autre.
3. Branchez les câbles négatifs et positifs de sortie aux extrémités opposées de la banque. Ne pas laisser les câbles de sortie à se toucher.
4. Testez les tensions sur les câbles de sortie, pour vous assurer que la banque de la batterie est correctement câblé.
5. Si la tension est supérieure à 13 volts, une partie de la banque de la batterie est probablement connectées en série (une borne négative d'une batterie attachée à une borne positive d'une autre) au lieu d'en parallèle.
6. Examiner attentivement le diagramme et corriger le câblage avant de fixer le convertisseur.

7. Assurez-vous que l'interrupteur du convertisseur est réglé sur OFF (O).
8. Connectez les câbles de sortie de la banque de la batterie au convertisseur.

Exemple:

12V / 400 Ah † BATTERIES



† Capacité Banque =
(capacité unique de la batterie) x (nombre de batteries) 400 Ah capacité est pour (2)
* 200 batteries Ah indiquées à des fins d'illustration.

9. MODE D'EMPLOI

1. Raccorder le convertisseur (voir « Raccorder des Câbles du Convertisseur »)
2. Interrupteur ON / OFF l'interrupteur du convertisseur en position ON (I).
3. Le voyant vert LED allume, indiquant le convertisseur est sous tension.
4. Interrupteur ON / OFF l'interrupteur du convertisseur à la position OFF (O). (Le voyant vert peut clignoter brièvement et / ou le haut-parleur interne peut faire un bref "bip". C'est normal.)
5. S'assurer que l'appareil devant être utilisé soit éteint.
6. Brancher l'appareil dans la prise CA du convertisseur.
7. Interrupteur ON / OFF l'interrupteur du convertisseur à la position de marche (I).
8. Allumez l'appareil.
9. Pour déconnecter, inverser la procédure ci-dessus.

NOTE : Si plus d'un appareil doit être alimenté, démarrer un appareil à la fois afin d'empêcher toute surtension et/ou surcharge du convertisseur. La charge de surtension de chaque appareil ne devrait pas dépasser la capacité de puissance nominale pour une utilisation permanente du convertisseur.

IMPORTANT : En utilisant le convertisseur avec certains appareils rechargeables peut endommager le convertisseur et / ou périphérique. Si vous utilisez le convertisseur pour fonctionner un dispositif rechargeable, surveiller la température du convertisseur pendant environ 10 minutes. Si le convertisseur devient anormalement chaud, débranchez-le de l'appareil immédiatement; ne pas utiliser l'appareil avec le convertisseur.

UTILISER LE CONVERTISSEUR POUR FAIRE FONCTIONNER UNE TV OU UN APPAREIL AUDIO :

Le convertisseur est protégé et filtré pour minimiser les risques d'interférence des signaux. Il se peut cependant qu'il y ait des interférences au niveau de l'image TV particulièrement en cas de signaux faibles. Vous trouverez ci-dessous quelques suggestions pour essayer d'améliorer la réception.

1. Essayer de changer la position du convertisseur, des câbles d'antenne et du cordon de TV. Ajouter une rallonge allant du convertisseur à la TV afin d'isoler son cordon d'alimentation et les câbles d'antenne de l'alimentation 12V.
2. Essayer d'enrouler le cordon TV et les câbles allant de l'alimentation 12V à le convertisseur.
3. Fixer un ou plusieurs « filtres de ligne de données en ferrite » au cordon d'alimentation de TV. Ces filtres peuvent être achetés chez les plupart des revendeurs de composants électroniques.

10. SOURCE D'ALIMENTATION

Votre batterie d'automobile à pleine charge donne une alimentation suffisante au convertisseur lorsque le moteur est en marche. Gardez la voiture en marche tout le temps que vous utilisez le convertisseur. La durée réelle de fonctionnement du convertisseur dépendra de l'âge, de l'état de la batterie et de la puissance requise par l'appareil fonctionnant avec le convertisseur. Si possible, recharger les batteries quand ils sont moins de 50% de charge. Cela donne aux batteries un cycle de vie plus longue et mieux que la recharge quand ils sont très déchargés.

11. INDICATEUR DEL ET PROTECTION D'ARRÊT

The Green LED automatiquement lorsque puis convertisseur est branché sur une source de 12 volts de courant continu et est allumé. La LED rouge et le convertisseur se désactive automatiquement dans les conditions suivantes :

1. Lorsque l'entrée d'alimentation de la batterie du véhicule tombe à environ 10,5 volts, lumières LED rouge. Lorsque la tension descend en dessous de 10 VDC, le convertisseur éteint. *Rechargez ou remplacez la batterie.*
2. Lorsque l'entrée d'alimentation de la batterie du véhicule dépasse 15,5 volts, haute tension protection contre les surcharges se produit.
3. La demande de charge continue de l'équipement ou dispositif étant

4. Essayez la terre du convertisseur avec un fil de 16 AWG (minimum), en utilisant la plus courte longueur possible.

NOTE : Il se peut qu'un bruit « buzz » sorte des chaînes stéréo bas de gamme lorsque vous utilisez le convertisseur. Ceci est dû aux filtres peu efficaces au niveau de l'alimentation de ces chaînes. Malheureusement, on ne peut résoudre ce problème qu'en achetant une chaîne stéréo de meilleure qualité ou ayant un meilleur filtre.

UTILISATION DU PORT (S) USB

Le port USB fournit jusqu'à 2A à 5V DC. Modèle PC-2000 comprend un port. Modèle PC-3000 comprend deux ports.

1. Brancher l'appareil dans le port USB.
2. Allumer l'appareil USB.
3. Inverser les étapes une fois le port USB utilisé.

AVERTISSEMENT : Le convertisseur est alimenté, même lorsque l'interrupteur est sur OFF. Pour éviter la fuite de la batterie, débrancher le convertisseur lorsqu'il n'est pas utilisé.

Le convertisseur est équipé avec un arrêt pour les basses tensions de 10,0V ± 0,5V DC pour protéger contre la décharge de batterie. Si le convertisseur est en marche avec des charges légères, il est conseillé de recharger avant d'atteindre le point d'arrêt.

IMPORTANT : Le convertisseur prend un ampérage faible de la batterie avec quand l'interrupteur principal ON / OFF allumé et aucune charge connectée. Pour éviter la décharge de la batterie, mettez le convertisseur sur OFF lorsque vous ne l'utilisez pas.

exploité dépasse la capacité de charge continue du convertisseur. *Utilisez un convertisseur de capacité plus élevée ou un appareil à demande plus faible.*

4. La résistance thermique est supérieure à 80 ° C (176 ° F). *Permettez à le convertisseur de refroidir. Ne bouchez pas les fentes de refroidissement et permettez à l'air de circuler sur et dans le convertisseur. Réduisez la charge sur le convertisseur au niveau du courant à taux continu.*

RESET : Pour réinitialiser après l'arrêt se produit, le commutateur ON / OFF l'interrupteur du convertisseur à la position OFF (O). Vérifiez la Source du problème et corrigez-le. Interrupteur ON / OFF l'interrupteur du convertisseur en position ON (I).

12. SI LE FUSIBLE DU CONVERTISSEUR SAUTE

Votre convertisseur de tension est équipé de fusibles qui ne devrait pas avoir besoin, normalement, d'être remplacé. Un fusible grillé provient habituellement d'une

inversion de polarité ou d'un court-circuit dans l'appareil ou l'équipement.

Si le fusible saute, amener le convertisseur à un technicien qualifié pour qu'il le répare.

13. ENTRETIEN ET STOCKAGE INSTRUCTIONS

13.1 Avant chaque utilisation, vérifiez que tous les composants du convertisseur sont en place et en bon état de fonctionnement.

13.2 Après avoir utilisé le convertisseur et avant une opération d'entretien, déconnecter le appareil et débranchez à partir de la source d'alimentation.

13.3 Utilisez un chiffon propre et sec pour nettoyer les surfaces extérieures de l'affaire du convertisseur.

13.4 L'entretien courant ne nécessite pas l'ouverture de l'appareil, car il ne contient aucune pièce que l'utilisateur puisse entretenir. Toutes les autres réparations doivent être effectuées par du personnel qualifié.

13.5 Magasin à l'intérieur, dans un endroit frais et sec, hors de la portée des enfants.

13.6 Recyclez ou jetez des composants électriques internes.

14. DÉPANNAGE

PROBLÈME	CAUSE POSSIBLE	SOLUTION
Peu ou pas de tension de sortie.	Mauvais contact aux bornes. Utilisation du mauvais type de voltmètre pour tester la tension de sortie.	Débranchez et rebranchez les connexions 12V. Utilisez un véritable RMS lecture mètre.
Le voyant DEL rouge est allumé.	La tension de batterie est inférieure à 10,5 volts. L'équipement est exploité tire trop de pouvoir. Le convertisseur est trop chaud (arrêt thermique).	Recharger ou remplacer la batterie. Utilisez un convertisseur de capacité plus élevée; ne pas utiliser avec cet équipement. Laisser refroidir convertisseur. Vérifiez la ventilation adéquate. Réduisez la charge sur le convertisseur à la puissance nominale continue.
L'appareil ne fonctionne pas correctement lorsque branché au convertisseur.	Le convertisseur ne peut pas avoir la capacité nécessaire pour faire fonctionner l'appareil.	Tournez le commutateur inverseur OFF et ON pour réinitialiser le convertisseur.

15. SPÉCIFICATIONS

PC-2000

Puissance de sortie continue	2000 W
La puissance de sortie (0,1 seconde)	4000 W
Tension d'entrée nominale	12,8-13,2 VDC
Tension de sortie nominale	110-125 VAC
L'opération de tension d'entrée varie	10,0-15,0 VDC
Fréquence de production	60 Hz±3 Hz
Le maximum aucune attraction de courant de charge (à la tension d'entrée).....	1,5 ADC
Courant de pleine charge.....	180 ADC
Efficacité maximum	90%
La fermeture de surtension de contribution (à aucune charge)	16±0,5VDC
La contribution voltage la fermeture (à aucune charge)	10,0±0,5VDC
Avertissement de tension d'entrée base (avertisseur sonore).....	10,5±0,5VDC
Niveau de fermeture de surcharge de puissance de sortie	2200W±200 W
Forme d'ondes	Sinusoidale modifiée
Prises AC	Trois, NEMA 5-15 USA
Port USB	Une, 5 V / 2 A
Fusibles internes	8 x 30 A / 250 V, fusible à lame
Protection de surcharge	Oui
Les câbles de batterie	Deux noir et deux rouge
Fil de garde	Un, vert

PC-3000

Puissance de sortie continue	3000 W
La puissance de sortie (0,1 seconde)	6000 W
Tension d'entrée nominale	12,8-13,2 VDC
Tension de sortie nominale	110-125 VAC
L'opération de tension d'entrée varie	10,0-15,0 VDC
Fréquence de production	60 Hz±3 Hz
Le maximum aucune attraction de courant de charge (à la tension d'entrée).....	1,5 ADC
Courant de pleine charge.....	280 ADC
Efficacité maximum	90%
La fermeture de surtension de contribution (à aucune charge)	16±0,5VDC
La contribution voltage la fermeture (à aucune charge)	10,0±0,5VDC
Avertissement de tension d'entrée base (avertisseur sonore).....	10,5±0,5VDC
Niveau de fermeture de surcharge de puissance de sortie	3200W±200 W
Forme d'ondes	Sinusoidale modifiée
Prises AC	Quatre, NEMA 5-15 USA
Ports USB	Deux, 5 V / 2 A
Fusibles internes	8 x 40 A / 250 V, fusible à lame
Protection de surcharge	Oui
Les câbles de batterie	Deux noir et deux rouge
Fil de garde	Un, vert

16. PIÈCES DE RECHANGE

NOTE : Ces modèles nécessitent 2 de chaque câble de la batterie. Ordonner 2 pièces.

PC-2000 :

Câble de batterie (noir)	3899003407Z
Câble de batterie (rouge)	3899003408Z

PC-3000 :

Câble de batterie (noir)	3899003409Z
Câble de batterie (rouge)	3899003410Z

17. AVANT DE L'ENVOYER POUR RÉPARATIONS

Si ces solutions ne permettent pas d'éliminer le problème,
ou pour plus d'informations sur le dépannage,
contacter le service technique au :

services@schumacherelectric.com

www.batterychargers.com

ou composez le 1-800-621-5485

Du lundi au Vendredi 07h00-17h00 CST

Pour **RÉPARATION OU AU RETOUR** communiquer avec le Service à la Clientèle au 1-800-621-5485. **NE PAS ENVOYER L'UNITÉ** jusqu'à ce que vous recevez une **AUTORISATION DE RETOUR (RMA)** auprès de Service à la clientèle Schumacher Electric Corporation.

18. GARANTIE LIMITÉE

GARANTIE N'EST PAS VALIDE AU MEXIQUE.

SCHUMACHER ELECTRIC CORPORATION, 801 BUSINESS CENTER DRIVE, MOUNT PROSPECT, IL 60056-2179, DONNE CETTE GARANTIE LIMITÉE À L'ACHETEUR D'ORIGINE DU PRODUIT. CETTE GARANTIE LIMITÉE N'EST NI TRANSFÉRABLE NI CESSIBLE.

Schumacher Electric Corporation (le « fabricant ») garantit ce convertisseur pour un (1) an, à partir de la date d'achat, contre les défauts de matériaux ou de fabrication qui peuvent survenir dans des conditions normales d'utilisation et d'entretien. Si votre appareil n'est pas sans défauts de matériaux ou de fabrication, la seule obligation du fabricant sous cette garantie est de réparer ou de remplacer votre produit, avec un nouvel appareil ou un remis à neuf, selon le choix du fabricant. L'acheteur est tenu de faire parvenir l'appareil avec preuve d'achat et affranchir les frais d'expédition au Fabricant ou à ses représentants autorisés, afin qu'une réparation ou un remplacement puisse avoir lieu.

Le fabricant ne fournit aucune garantie sur les accessoires utilisés avec ce produit qui ne sont pas fabriqués par Schumacher Electric Corporation et approuvés pour être utilisés avec ce produit. Cette garantie limitée est annulée si le produit est sujet à une mauvaise utilisation ou une manipulation imprudente, à une réparation ou une modification par une personne autre que le fabricant ou si cet appareil est revendu au travers d'un détaillant non autorisé.

Le fabricant ne fait aucune autre garantie, y compris, mais sans y être limité, expresse, implicite ou garanties légales, y compris, mais non de façon limitative, toute garantie implicite de valeur marchande ou de pertinence pour un usage particulier. De plus, le fabricant ne peut être tenu responsable d'aucun dommage accidentel, spécial ou consécutif subi par l'acheteur, l'utilisateur ou autres personnes en relation avec ce produit, y compris, mais sans y être limité, les pertes de revenus ou de profits, de vente anticipée, d'opportunité d'affaires, d'achalandage, d'interruption des activités et tout autre préjudice ou dommage. Chacune et toutes ces garanties, autres que les garanties limitées incluses dans la présente, sont expressément déclinées et exclues. Certains états ne permettent pas l'exclusion ou les limites sur les dommages indirects ou consécutifs ou la durée de la garantie implicite. Les limites ou exclusions ci-dessus peuvent donc ne pas s'appliquer à votre cas. Cette garantie vous donne des droits légaux spécifiques et il se peut que vous ayez d'autres droits qui varient de cette garantie.

CETTE GARANTIE LIMITÉE EST LA SEULE GARANTIE LIMITÉE EXPRESSE, ET LE FABRICANT N'ASSUME NI N'AUTORISE AUCUNE PERSONNE À ASSUMER TOUTE AUTRE OBLIGATION SE RAPPORTANT À CE PRODUIT QUE CELLES DE CETTE GARANTIE.

Schumacher® et le logo Schumacher logo sont des marques déposées de Schumacher Electric Corporation.

WARRANTY CARD / TARJETA DE GARANTÍA

SAVE ON POSTAGE! ACTIVATE YOUR WARRANTY ONLINE – THE QUICK AND EASY WAY!

Go to www.batterychargers.com to register your product online.

(No internet access? Send in the completed warranty card.)



1 YEAR LIMITED
WARRANTY PROGRAM
REGISTRATION

MODEL: _____ **DESCRIPTION:** _____

This is the only express limited warranty, and the manufacturer neither assumes nor authorizes anyone to assume or make any other obligation. There is no other warranty, other than what is described in the product owner's manual.

The warranty card should be submitted within 30 days of purchase. The customer must keep the ORIGINAL receipt because it will be required for any warranty claims.

This warranty is not transferable. Send warranty card only.

DO NOT SEND UNIT TO THIS ADDRESS FOR REPAIR.

Mail this card to: Schumacher Electric Corporation
801 Business Center Drive
Mount Prospect, IL 60056-2179

Name _____

Street Address _____

City _____ State _____ Zip Code _____

Phone _____ Email _____

Store Name Where Purchased _____ Date of Purchase _____

Store Location _____ UPC Number _____

Serial Number _____ (SEE PRODUCT)

For faster warranty activation, go to www.batterychargers.com to register your product online.

¡AHORRE EN EL ENVÍO! ¡ACTIVE SU GARANTÍA EN LÍNEA-LA FORMA MAS RÁPIDA Y FÁCIL!

Visite nuestra página en www.batterychargers.com para registrar su producto en línea.

(¿No tiene acceso al internet? Llene la tarjeta de garantía y envíela.)



PROGRAMA DE REGISTRO
DE UN AÑO DE GARANTÍA
LIMITADA

MODELO: _____ **DESCRIPCIÓN:** _____

Esta es la única garantía limitada expresa, y el productor no autoriza ni otorga a alguien a realizar alguna otra obligación. No existe ninguna otra garantía más que la descrita en el manual del dueño.

La tarjeta de garantía debe enviarse durante los primeros 30 días después de la compra. El cliente debe mantener el recibo de compra ORIGINAL como comprobante, el cual le otorga todo derecho a cualquier reclamo de garantía.

Esta garantía no es transferible. Envíe tarjeta de garantía solamente.

NO ENVÍE LA UNIDAD A ESTA DIRECCIÓN PARA SU REPARACIÓN.

Enviar esta tarjeta a: Schumacher Electric Corporation
801 Business Center Drive
Mount Prospect, IL 60056-2179

Nombre _____

Dirección _____

Ciudad _____ Estado _____ C.P. _____

Tel: _____ Correo electrónico _____

Nombre de la Tienda donde se Compró _____ Fecha de compra _____

Localización de la Tienda _____ Numero de Serie _____

Código de barras _____ (CONSULTE EL PRODUCTO)

Para una activación más rápida, visite nuestra página de internet en www.batterychargers.com

CARTE DE GARANTIE

PAS BESOIN DE VOIE POSTAL !

ACTIVEZ VOTRE GARANTIE SUR INTERNET – LA VOIE PLUS RAPIDE ET FACILE!

Aller sur www.batterychargers.com pour enregistrer votre produit en ligne.

(Pas d'accès internet? Envoyer la carte de garantie par poste.)



INSCRIPTION AU
PROGRAMME DE GARANTIE
LIMITÉE DE UN AN

MODÈLE : _____ **DESCRIPTION :** _____

Ceci représente la seule garantie limitée expresse, et le fabricant n'accepte ni autorise qui que ce soit d'assumer ou de prendre toute autre obligation. Il n'existe aucune autre garantie que celle décrite dans le manuel du propriétaire du produit.

La carte de garantie doit être soumise dans les 30 jours suivant l'achat.

Le client doit retenir le reçu de caisse ORIGINAL puisqu'il sera requis pour une éventuelle réclamation au titre de la garantie. Cette garantie n'est pas transférable. Envoyer la carte de garantie seulement.

NE PAS ENVOYER L'UNITÉ À CETTE ADRESSE POUR RÉPARATION.

Envoyer cette carte à : **Schumacher Electric Corporation**
 801 Business Center Drive
 Mount Prospect, IL 60056-2179 (É.-U)

Nom _____

Adresse _____

Ville _____ Prov _____ Code postal _____

Tél : _____ Courriel _____

Nom du magasin où vous avez acheté le produit _____ Date de l'achat _____

Emplacement du magasin _____ Numéro CUP _____

Numéro de série _____ (VOIR PRODUIT)

Pour l'activation rapide de garantie, aller sur www.batterychargers.com pour enregistrer votre produit en ligne.