


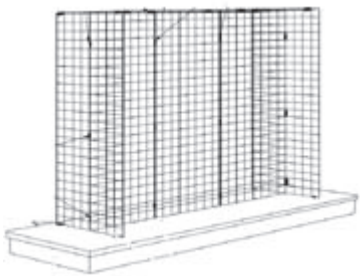


SECTION 1000-GENERAL SPECIFICATIONS



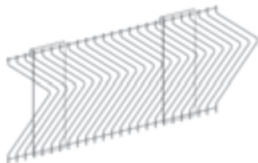
STORE FIXTURE KEY: CORRESPONDS WITH YOUR STORE SPECIFIC DRAWING

Refer to the PDF drawing labeled "Fixture Plan" sent via e-mail for your specific store's fixture locations

10	<p>4-WAY RACK</p>	140K-10	
77	<p>H-RACK</p> <ul style="list-style-type: none"> • 4- CASTER FOR RACK 	<p>140K41</p> <ul style="list-style-type: none"> • 140CTM60 	
11	<p>BALL CENTER</p> <ul style="list-style-type: none"> • 3-2X6 BLACK GRID • 3-BLACK GRID SHELVES • 6- GRID CONNECTORS 	<ul style="list-style-type: none"> • 130BLK-26 • 130BLKS-95 • 130BLK-JC 	
376	<p>METAL GONDOLA W/WOODEN BASE</p> <ul style="list-style-type: none"> • 6-2X6 BLACK GRID • 16-BLACK GRID CONNECTORS • 16-BLACK JC CONNECTORS <li style="padding-left: 40px;">10-JC CONN W/SCREWS <li style="padding-left: 40px;">6-JC CONN W/BOLTS 	<ul style="list-style-type: none"> • 130BLK-26 • 130BLK-JC • 130BLK-JC <li style="padding-left: 40px;">130BLK-JC-SCREW <li style="padding-left: 40px;">130BLK-JC-BOLT 	
149	<p>30" x 84" x 6" PORTABLE BLACK GONDOLA BASE</p>	<ul style="list-style-type: none"> • 160-PIAS-0149BLK 	

SECTION 1000-GENERAL SPECIFICATIONS

STORE FIXTURE KEY CONT.

28	SHOE FITTING BENCH	160-PIAS-0128BLK 
39 & 40	PUTTER TREE TOP & BOTTOM	160DE- PUTTERTREE 
41	HOCKEY STICK DISPLAYER	11024HOCKSTICK 
SS	"T" STYLE 8 SHELF SHOE MERCHANDISER	140K-48 