

SECTION 2000-DETAIL DRAWINGS

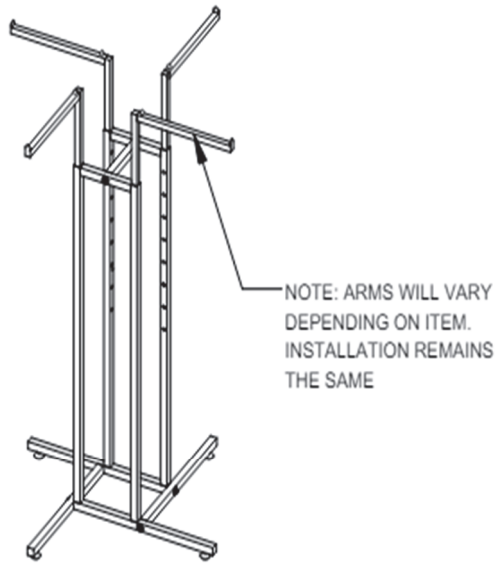
K10 4-WAY ASSEMBLY

Start With:
K10 Box

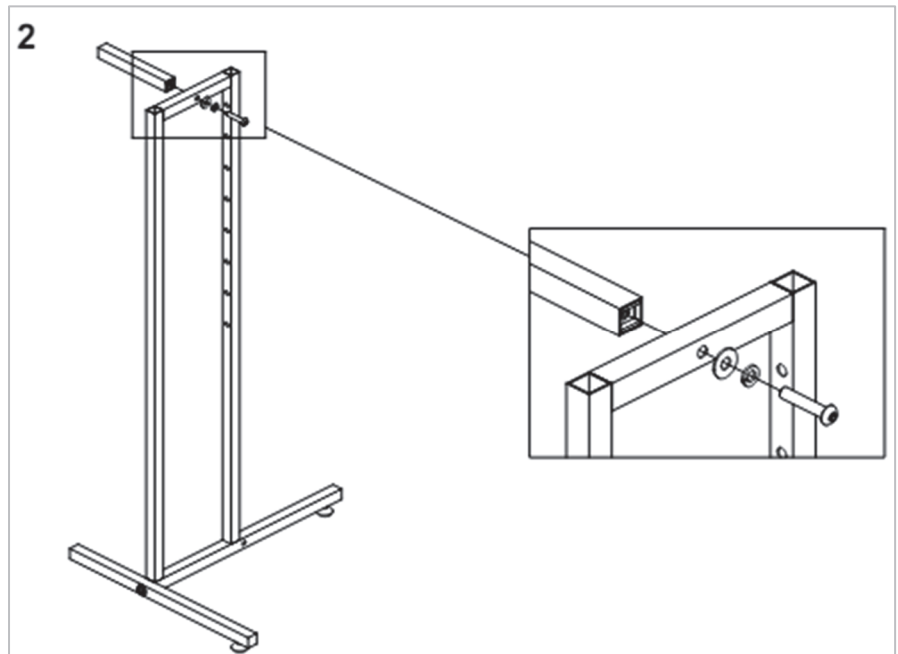
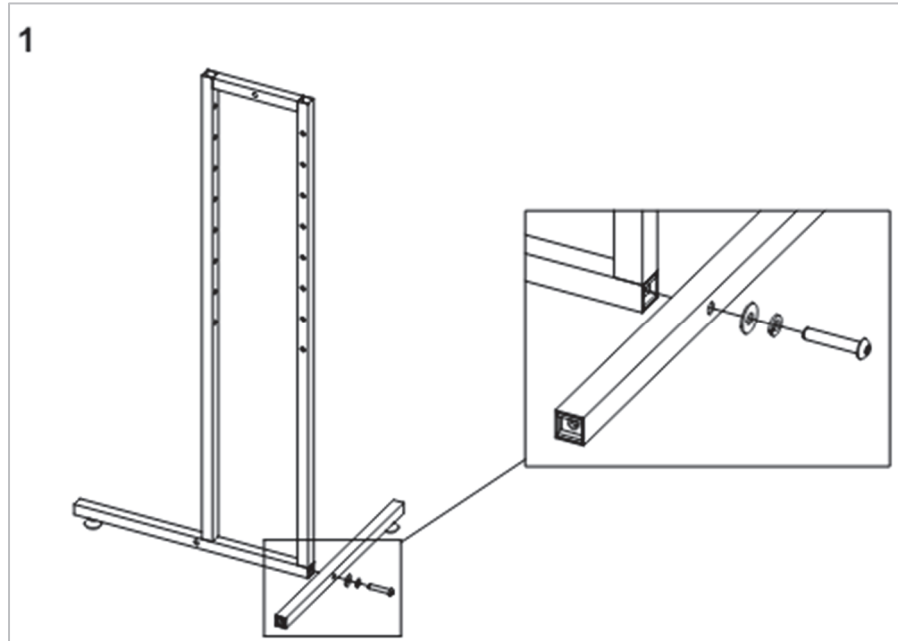
1. Empty contents of the K-10 box onto the floor. You will have two rectangular frames with round leveling feet and two straight bars with leveling feet.
2. Stand the rectangular frames up so the height adjustment holes face in. Attach the straight bars to the rectangular frames. Each straight bar attaches to both of the frames, one through the side and one through the end.
3. Tighten until the lock washer is flat. The top brace attaches between the frames through the hole in the top of each frame.
4. Insert one into each hole in the top of the rack.
5. Adjust the height by pressing the adjustment button.

SECTION 2000-DETAIL DRAWINGS

K-10 4 WAY DRAWING (A)



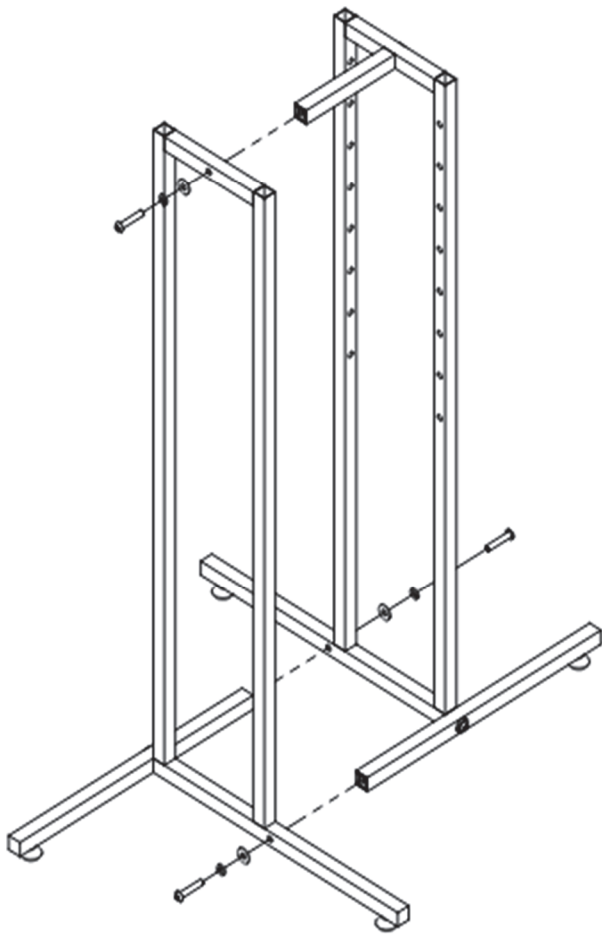
INCLUDED HARDWARE



SECTION 2000- DETAIL DRAWINGS

K-10 4 WAY DRAWING (A) ASSEMBLY

3



4

