



## Regulatory Fire & Safety Signage

### Abbotsford, British Columbia

#### Fire Routes

##### Fire Service Bylaw

<https://abbotsford.civicweb.net/filepro/documents/2418?preview=2585>

Fire lane signs

- "FIRE LANE - NO PARKING"
- Size and colour are approved by the Fire Chief before installation

For primary, secondary fire access roads, when secured by gates/bollards/chains/removable assemblies

- Size is no less than 750mm by 600mm
- States: "EMERGENCY ACCESS ONLY, NO PARKING," followed by "By Order of the Abbotsford Fire Rescue Service"

#### No Parking

##### Bylaw Services, 6048645512

- Said that they have no specific regulations, don't enforce on private property

#### No Smoking

##### Smoking Bylaw, Tobacco Reduction Act

<https://abbotsford.civicweb.net/filepro/documents/2418?preview=52340>

<https://www2.gov.bc.ca/assets/gov/health/keeping-bc-healthy-safe/tobacco-regulation/tobacco-vapour-buffer-decal-avery6573.pdf>

- No smoking signs can be printed online



**Safety Media**  
Fire & Life Safety Essentials

www.safetymedia.com  
sales@safetymedia.com  
1-800-420-9737

Please keep this area  
**smoke-free** and **vape-free**  
Smoking and vaping is prohibited  
within **six metres** of doorways,  
open windows and air intakes.

Tobacco and Vapour Products Control Act  
and Regulation



BRITISH  
COLUMBIA

## Towing

### Vehicles for Hire Bylaw

<https://abbotsford.civicweb.net/document/53285>

#### Towing from Private Parking Lots

- Clearly marked with yellow paint on the curb/roadway

#### Towing Information Sign

- Minimum 30.5cm (12 inches) by 445.7cm (18 inches)
- Letters and numbers of not less than 2.5cm (1 inch) in height
- Clearly visible from the No Parking Area being towed from
- Indicates that Vehicles Parked in the No Parking Area will be towed
- Contains the name and telephone number of the towing company which will remove unauthorized Vehicles from the property, and the location to which towed Vehicles will be taken

#### Towing Warning Sign

- Minimum dimensions of 61 cm (24 inches) by 76.2 cm (30 inches)
- Letters and numbers of not less than 2.5cm (1 inch) in height
- Be conspicuously posted at all entrances and exits to the property
- Be located no further than 50 m (164 feet) from any area of the private Parking Lot being controlled
- Use wording which must be approved by the Licence Inspector, to indicate the circumstances under which Vehicles will be towed



- Clearly state whether or not Vehicles are subject to being towed after business hours

## No Dumping

### **Bylaw Services, 6048645512**

- No specific requirements, usually only deal with illegal dumping on city property
- It is the responsibility of the private property owner to maintain their property in the standards set out in the Solid Waste Collection Bylaw

<https://abbotsford.civicweb.net/filepro/documents?expanded=2418&preview=38507>

- Fines can be up to \$10,000 for violating any provisions of the Solid Waste Collection Bylaw, 2213-2013

## Underground Parking

### **Bylaw Services, 6048645512 - Building and Permits division**

- No idea about these, recommended following what is stated in the Zoning Bylaw

### **Off-Street Parking Regulations under the Zoning Bylaw**

<https://abbotsford.civicweb.net/document/11742/150%20-%20Off%20Street%20Parking%20and%20Loading%20Regulations.pdf>

- Signs are required for pedestrian crosswalks if crossing a driveway

## Fire Safety Plan Box Provisions

- The boxes are supplied by a service company
- Metal, white with red lettering



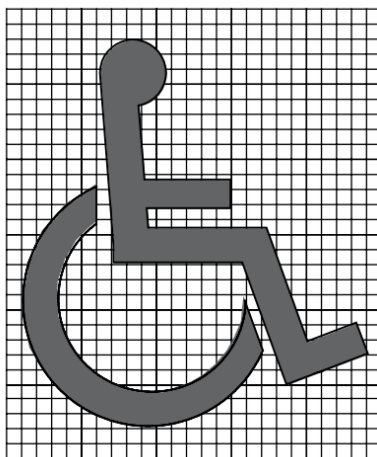
## Accessibility Guidelines

### Accessibility Guideline Handbook:

[https://www2.gov.bc.ca/assets/gov/farming-natural-resources-and-industry/construction-industry/building-codes-and-standards/guides/2014\\_building\\_access\\_handbook.pdf](https://www2.gov.bc.ca/assets/gov/farming-natural-resources-and-industry/construction-industry/building-codes-and-standards/guides/2014_building_access_handbook.pdf)

#### General Sign Requirements:

- Glare-free surface
- Characters with a stroke width-to-height ratio of from 1:6 to 1:10
- Character width to height ratio of from 3:5 to 1:1
- Arabic numerals and sans-serif letters only
- Characters and symbols must contrast highly in colour with their background (85% to 95%)
  - Ex. blue or black backgrounds with white letters, yellow background with black letters
  - Exit signs are best with white letters on red background
- Contain the International Symbol of Accessibility for Persons with Disabilities, and any additional wording and symbols necessary



NOTE:  
BACKGROUNDS /  
SQUARES /  
FOR PROPER  
REFERENCE  
ONLY

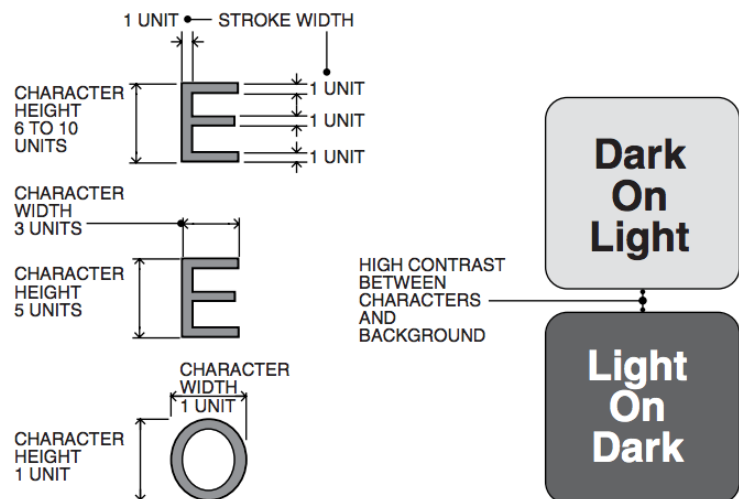


FIGURE 3.8.41. – Sign Characteristics

Examples of parking signs as well as commonly used directional signs:



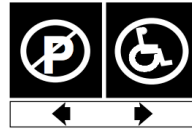
# Safety Media

Fire & Life Safety Essentials

www.safetymedia.com

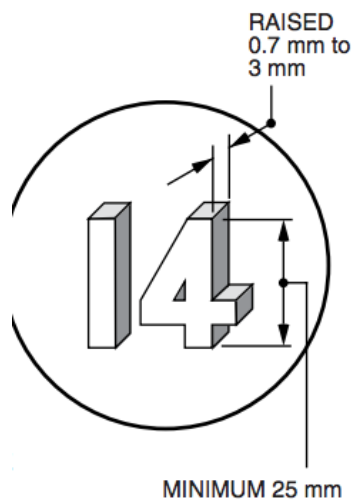
sales@safetymedia.com

1-800-420-9737



## Floor Numbering

- Arabic numerals shall be
  - Not less than 60mm high
  - Raised approximately 0.7mm above the surface
  - Contrast in colour with the surface they are applied to (white on black or black on white is recommended)



Other



# Safety Media

Fire & Life Safety Essentials

www.safetymedia.com  
sales@safetymedia.com  
1-800-420-9737

- Elevator signs must state: " IN CASE OF FIRE, USE EXIT STAIRWAY DO NOT USE ELEVATOR"
  - Dimensions: not less than 75mm by 130mm
  - On permanent red and white or white on red plastic lamacoid or equivalent material

## Pull Station Signs

<https://abbotsford.civicweb.net/filepro/documents/2418?preview=2585>

- Every building equipped with a Fire Alarm System, which is not continuously monitored by an approved Monitoring Agency, shall display a permanently mounted sign at each manual fire alarm pull station
- Wording: "LOCAL ALARM ONLY - IN CASE OF FIRE TELEPHONE 9-1-1"
- Each sign shall be not less than 50 mm by 100 mm (2 inches x 4 inches)
- Permanent red and white or white on red plastic lamacoid or equivalent material.

**Disclaimer:** *The material and information contained on this document is for general information purposes only. Please contact your local authorities before making any business, legal or other decision.*