

FREE
PATTERNS

Shavo

knit in **Berroco Remix™** | [color info](#)
Skill level: **Easy**



Karine

Shavo

[click to enlarge](#)



[Karine instructions](#)



[click to enlarge](#)

[Schematic](#) | [Abbreviations & Terms](#)



[Find this Yarn](#)



This masculine pullover has a perfectly measured dose of pebbly texture and a comfortable drop shoulder silhouette.



[PDF Pattern Instructions](#)

(If you can't open this PDF file you need Adobe Acrobat Reader. Get it [here](#).)

Shown in size Large

SIZES

Directions are for men's size X-Small. Changes for sizes Small, Medium, Large and X-Large are in parentheses.

FINISHED MEASUREMENTS

Chest – 36(40-44-48-52)''

Length – 27½(28-28½-29-29½)''

MATERIALS

6(7-7-8-9) Balls **BERROCO REMIX** (100 grs), #3949 Nightfall

Straight knitting needles, size 8 (5.00 mm) OR SIZE TO OBTAIN GAUGE

16" Length circular knitting needle, size 6 (4.00 mm)
1 St marker

GAUGE

17 sts = 4"; 23 rows = 4" in St st on larger needles
TO SAVE TIME, TAKE TIME TO CHECK GAUGE

PATTERN STITCH (Multiple of 4 sts + 2)

Rows 1 – 5: Knit.

Row 6 (WS): Purl.

Rows 7, 9 and 11 (RS): * K1, p1, rep from * across.

Rows 8, 10 and 12: * P1, k1, rep from * across.

Rows 13, 15, 17 and 19: K2, * p2, k2, rep from * across.

Rows 14, 16, 18 and 20: P2, * k2, p2, rep from * across.

Rows 21 – 26: Rep Rows 7 – 12.

Row 27: Knit.

Row 28: Purl.

Rep these 28 rows for Pat St.

BACK

With larger needles, cast on 78(86-94-102-110) sts. Knit 4 rows, end on WS.

Ribbing: Row 1 (RS): K2, * p2, k2, rep from * across.

Row 2: P2, * k2, p2, rep from * across. Rep these 2 rows until piece measures 2" from beg, end on WS. Knit 4 rows. Work even in St st until piece measures 13" from beg, end on WS. Work even in Pat St until piece measures 19" from beg, end on WS. Mark beg and end of last row for beg of armholes. Work even until armholes measure 8½(9-9½-10-10½)", end on WS. Bind off.

FRONT

Work same as back until armholes measure 5½(6-6½-7-7½)", end on WS – 78(86-94-102-110) sts.

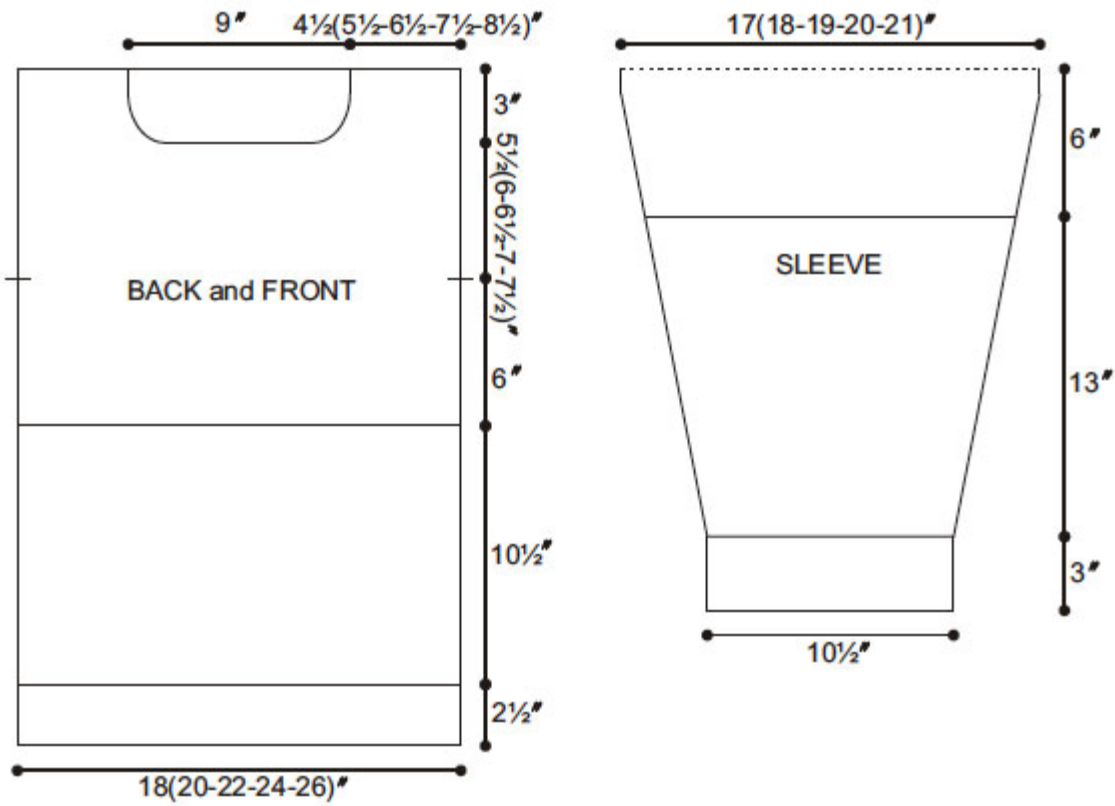
Shape Neck: Next Row (RS): Work 26(30-34-38-42) sts, join another ball of yarn and bind off center 26 sts, work to end. Working both sides at once, dec 1 st at each neck edge every RS row 6 times – 20(24-28-32-36) sts each side. Work even until armhole measures 8½(9-9½-10-10½)", end on WS. Bind off. Sew shoulder seams.

SLEEVES

With RS facing, using larger needles, pick up and k70(74-78-86-90) sts. Beg with Row 2, work even in Pat St for 1", end on WS. Dec 1 st each side of next row, then every 1½(1¼-1-¾-¾)" 11(13-15-19-21) times more. AT THE SAME TIME, when sleeve measures approximately 6", end on WS. Change to St st and continue to work decs at each side as before. When all decs have been completed, work even on 46 sts until sleeve measures 19" from beg. Knit 4 rows. Work in ribbing same as back until sleeve measures 21½" from beg, end on WS. Knit 4 rows. Bind off.

FINISHING

Neckband: With RS facing, using circular needle, beg at left shoulder seam, pick up and k20 sts along left front neck edge, 26 sts across front neck edge, 20 sts along right front neck edge, then 42 sts across back neck edge – 108 sts. Mark for beg of rnd and carry marker up. Work even in k2, p2 ribbing for 1½". Bind off in ribbing. Sew side and sleeve seams.



WEB EXCLUSIVE

www.berroco.com

[Home](#) | [Yarn Shops](#) | [Yarns](#) | [Free KnitBits®](#) | [New This Season](#) | [Free Patterns](#) | [Blog](#) | [Multimedia](#)
[Pattern Corrections](#) | [Abbreviations & Terms](#) | [Links](#) | [Handeze® Glove](#) | [Scarf Central](#)
[About Us](#) | [Privacy Statement](#) | [FAQs](#) | [Contact Us](#)

Berroco, Inc. P.O. Box 367, 14 Elmdale Road, Uxbridge, MA 01569-0367 USA
copyright 2010 Berroco