

[click to enlarge](#)[click to enlarge](#)[Schematic](#) | [Charts](#) |
[Abbreviations & Terms](#)[Find this Yarn](#)

A winding cable pattern travels across the front of this v-neck pullover with elbow-length sleeves.



[PDF Pattern Instructions](#)

(If you can't open this PDF file you need Adobe Acrobat Reader. Get it [here](#).)

Shown in size Small

SIZES

Directions are for women's size X-Small. Changes for sizes Small, Medium, Large, 1X and 2X are in parentheses

To Fit Bust Size: 30(34-38-42-46-50)"

FINISHED MEASUREMENTS

Bust - 36(40-44-48-52-56)"

Length - 22(22-23-23½-24½-25)"

Note: This garment was designed with approximately 6" of ease. Please take this into consideration when selecting your size.

MATERIALS

4(4-5-5-6-7) Balls [BERROCO REMIX](#) (100 grs), #3984 Ocean

Straight knitting needles, sizes 6 (4.00 mm) and 8 (5.00 mm) OR SIZE TO OBTAIN GAUGE

Cable needle (cn)

2 St markers

GAUGE

17 sts = 4"; 23 rows = 4" in St st on larger needles

60 sts = 12"; 23 rows = 4" in Charted Pat on larger needles

TO SAVE TIME, TAKE TIME TO CHECK GAUGE

BACK

With smaller needles, cast on 77(85-95-103-111-119) sts.

Ribbing: Row 1 (RS): K1, * p1, k1, rep from * across.

Row 2: P1, * k1, p1, rep from * across. Rep these 2 rows until piece measures 2" from beg, end on WS. Change to larger needles and work even in St st until piece measures 14(14-14½-14½-15-15)" from beg, end on WS.

Shape Raglan Armholes: Bind off 2(3-4-5-6-7) sts at beg of the next 2 rows - 73(79-87-93-99-105) sts.

For Sizes Large, 1X and 2X ONLY: Dec Row 1 (RS): K1, k3 tog, k to last 4 sts, sl 1, k2 tog, pssso, k1 - x(x-x-89(95-101) sts. Rep this dec every RS row 1(2-4) times more, end on WS - x(x-x-85-87-85) sts.

For ALL Sizes: Dec Row 2 (RS): K1, k2 tog k to last 3 sts, SSK, k1 - 71(77-85-83-85-83) sts. Rep this dec every RS row 9(15-21-20-21-20) times more, then every 4th row 5(2-0-0-0-0) times, end on WS - 43 sts. Bind off for back neck.

FRONT

Work same as back until piece measures 2" from beg, end on WS - 77(85-95-103-111-119) sts. Change to larger needles.

Inc Row (WS): K13(17-22-26-30-34), place marker, (k5, M1k) 9 times, k6, place marker, k13(17-22-26-30-34) - 86(94-104-112-120-128) sts.

Establish Chart: Row 1 (WS): P to first marker, work Row 1 of Chart to last marker, p to end.

Row 2: K to first marker, work Row 2 of Chart to last marker, k to end. Work even in pat as established until piece measures approximately 13" from beg, end on WS with Row 19 of Chart.

Shape Neck: Next Row (RS): K to first marker, Work Row 20 of Chart over 25 sts, k2 tog (neck dec), k3; join another ball of yarn, k3, SSK (neck dec), work Row 20 of chart to last marker, k to end. In this manner, dec 1 st at each neck edge every RS row 21 times more. AT THE SAME TIME, when piece measures 14(14-14½-14½-15-15)", shape raglan armholes same as back. When all armhole and neck decs have been completed, work even in St st on remaining 4 sts of each side for neck extensions for 4½", end on WS. Bind off.

SLEEVES

With smaller needles, cast on 43(43-45-45-47-47) sts. Work in ribbing same as back for 1", end on WS. Change to larger needles. K the next row, inc 22(22-24-28-30-34) sts as evenly spaced across as possible - 65(65-69-73-77-81) sts. Beg with a p row, work even in St st for 11 rows, end on WS.

Dec Row1 (RS): K4(4-6-5-8-6), k2 tog, * k7(7-7-8-8-9), k2 tog, rep from * 5 times more, k to end - 58(58-62-66-70-74) sts. Work even for 11 rows, end on WS.

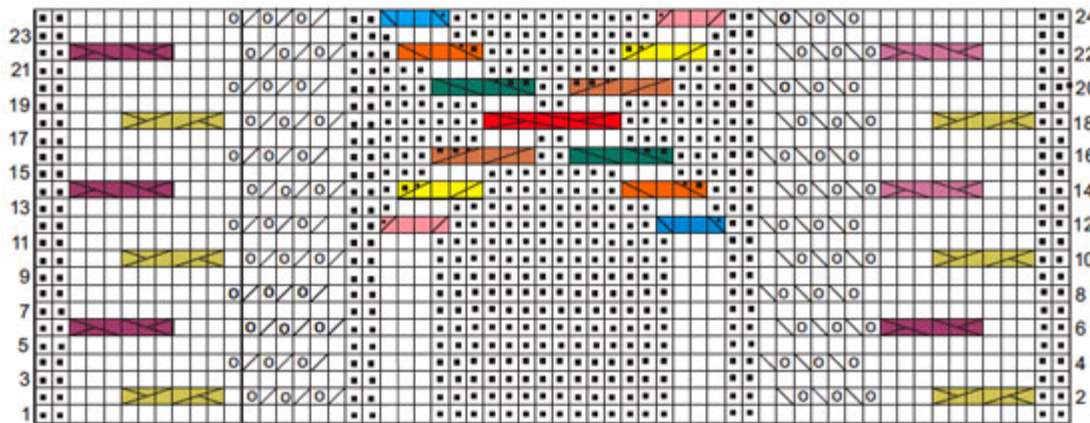
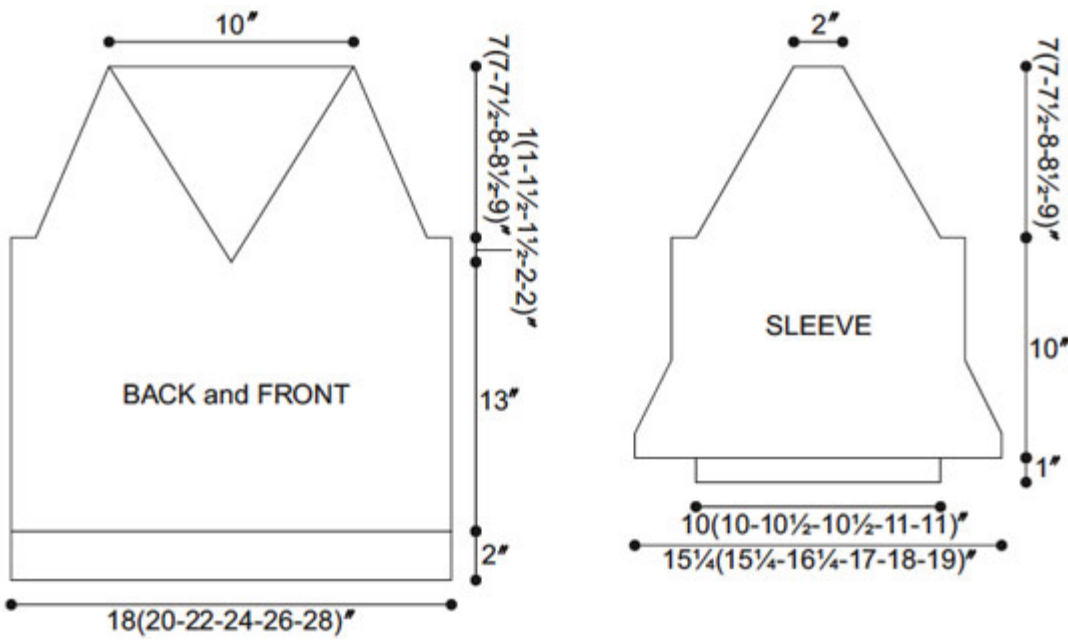
Dec Row 2 (RS): K4(4-6-5-7-6), k2 tog, * k6(6-6-7-7-8), k2 tog, rep from * 5 times more, k to end - 51(51-55-59-63-67) sts. Work even until sleeve measures 10" from beg, end on WS.

Shape Raglan Cap: Bind off 2(3-4-5-6-7) sts at beg of the next 2 rows - 47(45-47-49-51-53) sts.

Dec Row (RS): K1, k2 tog, k to last 3 sts, SSK, k1 - 45(43-45-47-49-51) sts. Rep this dec every RS row 17(15-15-16-16-17) times more, then every 4th row 1(2-3-3-4-4) times, end on WS - 9 sts. Bind off.

FINISHING

Sew raglan sleeve caps to raglan armholes. Sew side and sleeve seams. Sew bound-off edges of neck extensions together. Sew inner edges of neck extension to back neck edge with seam at center.



KEY TO CHART

- K on RS, p on WS
- P on RS, k on WS
- Yo
- SSK
- K2 tog
- SI 3 sts to cn and hold in BACK, k3, k3 from cn
- SI 3 sts to cn and hold in FRONT, k3, k3 from cn
- SI 5 sts to cn and hold in FRONT, k3, sl leftmost 2 sts from cn to LH needle and purl them, k3 from cn
- SI 1 st to cn and hold in BACK, k3, p1 from cn
- SI 3 sts to cn and hold in FRONT, p1, k3 from cn
- SI 3 sts to cn and hold in FRONT, p2, k3 from cn
- SI 2 sts to cn and hold in BACK, k3, p2 from cn
- SI 3 sts to cn and hold in BACK, k3, p3 from cn
- SI 3 sts to cn and hold in FRONT, p3, k3 from cn

WEB EXCLUSIVE
www.berroco.com

Berroco, Inc. 1 Tupperware Dr. Suite 4, N. Smithfield, RI 02896-6815 USA
copyright 2012 Berroco