

fine handknitting yarns

SEARCH

FREE KnitBits

Berroco Blog

Email This Page

>> [Preview](#)FREE
PATTERNS

Baby Yeti

knit in **Plush**
Skill level: **Easy**WEB EXCLUSIVE
www.berroco.com

Baby Yeti is a very easy and very cuddly hooded pullover.



PDF Pattern Instructions

(If you can't open this PDF file you need Adobe Acrobat Reader. Get it [here](#).)

Shown in size Newborn (3 mos)

SIZES

Directions are for infant's size Newborn (3 mos). Changes for sizes Small (6 mos) and Medium (9 mos) are in parentheses.

FINISHED MEASUREMENTS

Chest – 19(21-23)“

Length – 9(10-11)“

MATERIALS

2(3-4) Balls **BERROCO PLUSH** (50 grs), #1901 Crema

Straight knitting needles, size 10 (6.00 mm) OR SIZE TO OBTAIN GAUGE

GAUGE

12 sts = 4“; 20 rows = 4“ in St st

TO SAVE TIME, TAKE TIME TO CHECK GAUGE

BACK

With straight needles, cast on 30(32-36) sts. Work even in St st for 4 1/2(5-5 1/2)“, end on WS. Mark beg and end of last row for beg of armholes. Work even until armholes measure 4 1/2(5-5 1/2)“, end on WS. Bind off.

FRONT

Work same as back until piece measures 5(5 1/2-6)“ from beg, end on WS.

Divide for Front Slit: Next Row (RS): K15(16-18), join another ball of yarn and k15(16-18). Working both sides at once, work even until armholes measure 3(3 1/2-4)“, end on WS.

Shape Neck: Bind off 3(3-4) sts at each edge of front slit once, then dec 1 st at each neck edge EVERY row 3 times – 9(10-11) sts each side. Work even until armhole measures 4 1/2(5-5 1/2)“, end on WS. Bind off.

SLEEVES

With straight needles, cast on 20(22-24) sts. Work even in St st for 1“, end on WS. Inc 1 st each side of next row, then every 1“ 3(4-4) times more – 28(32-34) sts. Work even until sleeve measures 5 1/2(6 1/2-7 1/2)“, end on WS. Bind off.

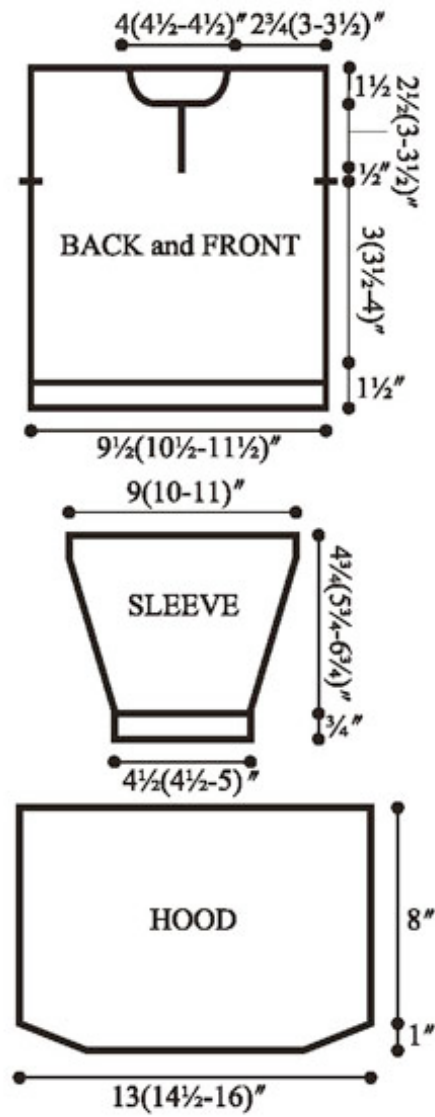
HOOD

With straight needles, cast on 40(44-48) sts. Work even in St st for 8“, end on WS.

Shape Lower Edge: Bind off 4 sts at beg of every row 4 times, end on WS – 24(28-32) sts. Bind off.

FINISHING

Sew shoulder seams. Fold cast-on edge of hood in half and sew top seam. Sew lower edge of hood to neck edge. Sew on sleeves between markers. Sew side and sleeve seams.



[Home](#) | [Yarn Shops](#) | [Yarns](#) | [Free KnitBits®](#) | [New This Season](#) | [Free Patterns](#) | [Blog](#) | [Multimedia](#)
[Pattern Corrections](#) | [Abbreviations & Terms](#) | [Links](#) | [Handeze® Glove](#) | [Scarf Central](#)
[About Us](#) | [Privacy Statement](#) | [FAQs](#) | [Contact Us](#)

Berroco, Inc. P.O. Box 367, 14 Elmdale Road, Uxbridge, MA 01569-0367 USA
 copyright 2009 Berroco