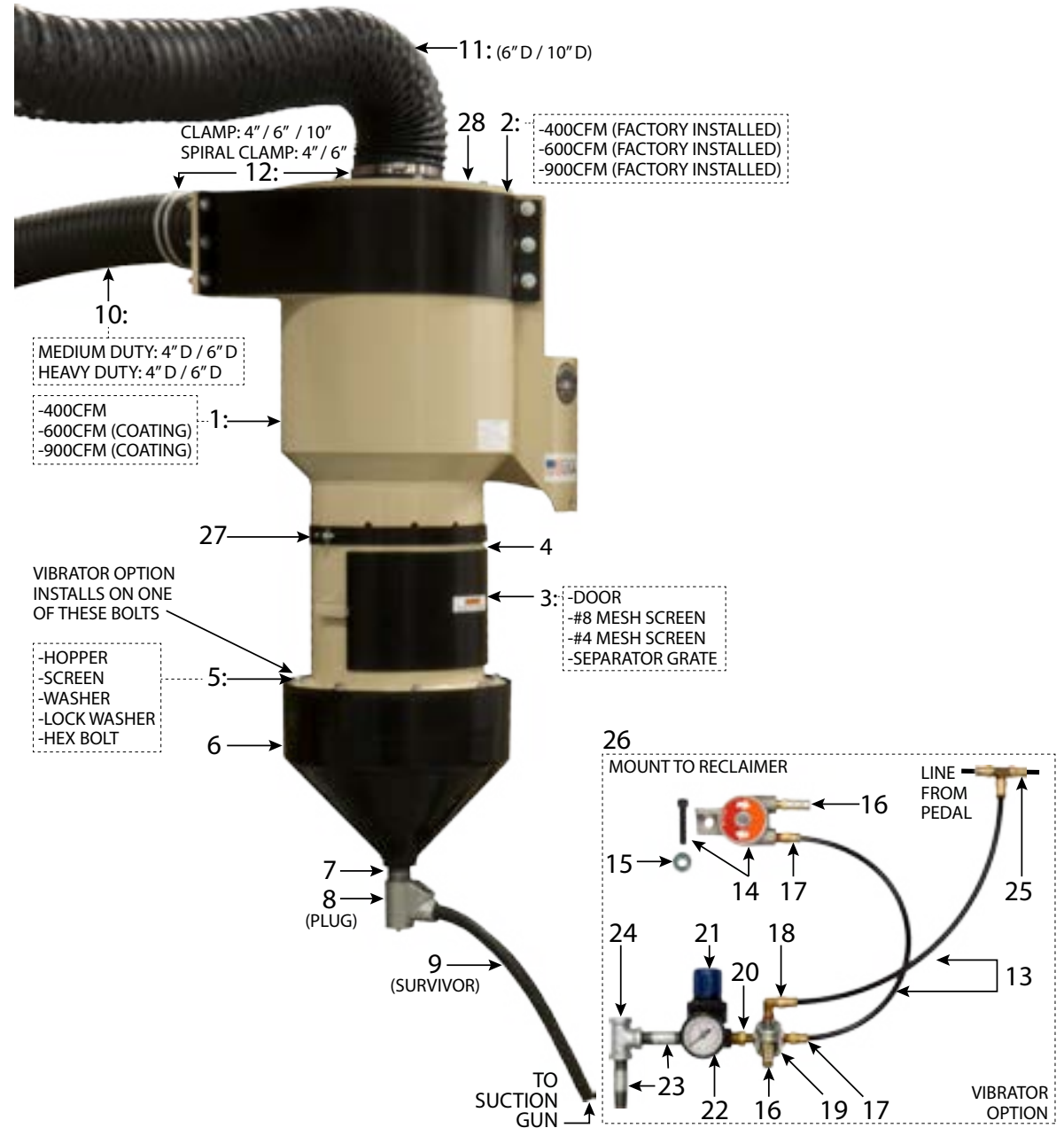


RECLAIMER ASSEMBLY

SUCTION (Pg. 1 of 2)

#	DESCRIPTION	PART #
1.1	RECLAIMER ASSEMBLY, 400 CFM	140-439
1.2	RECLAIMER ASSEMBLY, 600 CFM	140-440
1.3	COATING ONLY, 600 RECLAIMER, POLYUREA, (FACTORY INSTALLED)	525-861
1.4	RECLAIMER ASSEMBLY, 900 CFM	140-441
1.5	COATING ONLY, 900 RECLAIMER, POLYUREA (FACTORY INSTALLED)	525-891
2.1	WEAR PLATE, 400 CFM RECLAIMER, (FACTORY INSTALLED)	514-471
2.2	WEAR PLATE, 600 CFM RECLAIMER, (FACTORY INSTALLED)	514-481
2.3	WEAR PLATE, 900 CFM RECLAIMER, (FACTORY INSTALLED)	514-491
2.4	WEAR PLATE, 400 CFM RECLAIMER, (CUSTOMER INSTALLED)	514-501
2.5	WEAR PLATE, 600 CFM RECLAIMER, (CUSTOMER INSTALLED)	514-511
2.6	WEAR PLATE, 900 CFM RECLAIMER, (CUSTOMER INSTALLED)	514-521
3.1	DOOR, RECLAIMER	760-721
3.2	SCREEN, RECLAIMER, REMOVABLE, #8 MESH, 11-1/2" DIA x 2-1/8" HEIGHT (RECOMMENDED FOR 36 GRIT AND FINER ABRASIVES)	739-041
3.3	SCREEN, RECLAIMER, REMOVABLE, #4 MESH, 11-1/2" DIA x 2-1/8" HEIGHT (RECOMMENDED FOR ABRASIVES LARGER THAN 36 GRIT)	739-051
3.4	ROUND MAGNETIC SEPARATOR GRATE, 10" DIAMETER, 2-1/2" HEIGHT	511-572
4	GASKET, DOOR, RECLAIMER	524-331
5.1	GASKET, HOPPER	524-371



RECLAIMER ASSEMBLY

SUCTION (Pg. 2 of 2)

#	DESCRIPTION	PART #
5.2	RECLAIMER SCREEN, 11 GA PERF, 5/16" HOLES, 13" DIA.	760-711
5.3	FLAT WASHER, 3/8"	33008
5.4	LOCK WASHER, 3/8"	1133622
5.5	HEX BOLT, 3/8"-16 x 1 HHCS	105-3816-1
6	HOPPER, SUCTION	760-751
7	NIPPLE, TBE, SCHEDULE 80, GALV, 1-1/4" x CLOSE	888-3028-10799PB
8.1	ABRASIVE REGULATOR #2, COMPLETE, 1-1/4" NPT	290-156
8.2	ABRASIVE REGULATOR #2, CLEAN-OUT PLUG, 1-1/2"	510-121
9.1	HOSE, SUCTION, BLACK, NOMINAL 5/8" ID x 1-1/16" OD, 2 PLY, WP 150 PSI, PRICE PER FOOT, SOLD IN 10' INCREMENTS ONLY, REEL SIZE 400'	520-802
9.2	SURVIVOR® HOSE, SUCTION, BLACK, NOMINAL 5/8" ID x 1-1/16" OD, 2 PLY, WP 150 PSI, PRICE PER FOOT, SOLD IN 10' INCREMENTS, REEL SIZE 400'	500-802
10.1	HOSE, CONVEYING, MEDIUM DUTY, NOMINAL 4" ID, PRICE PER FOOT, SOLD IN 10' INCREMENTS ONLY, BOX SIZE 50'	1830-20
10.2	HOSE, CONVEYING, MEDIUM DUTY, NOMINAL 6" ID, PRICE PER FOOT, SOLD IN 10' INCREMENTS ONLY, BOX SIZE 50'	1830-100
10.3	HOSE, CONVEYING, HEAVY DUTY, NOMINAL 4" ID, HG 29, PRICE PER FOOT, SOLD IN 10' INCREMENTS ONLY, SECTION SIZE 100'	210-004
10.4	HOSE, CONVEYING, HEAVY DUTY, NOMINAL 6" ID, HG 29, PRICE PER FOOT, SOLD IN 10' INCREMENTS ONLY, SECTION SIZE 100'	210-006
11.1	HOSE, DUST, NOMINAL 6" ID, PRICE PER FOOT, SOLD IN 25' SECTIONS ONLY	220-006
11.2	HOSE, DUST, NOMINAL 10" ID, PRICE PER FOOT, SOLD IN 25' SECTIONS ONLY	220-010
12.1	CLAMP, HOSE 4"	520-531

#	DESCRIPTION	PART #
12.2	CLAMP, HOSE 6"	520-551
12.4	CLAMP, SPIRAL, FITS 4" CONVEYING HOSE, HEAVY DUTY	SC-400
12.5	CLAMP, SPIRAL, FITS 6" CONVEYING HOSE, HEAVY DUTY	SC-600
13	TUBING, BLACK, POLYETHYLENE, 1/4" (PER FT), SOLD IN 10' INCREMENTS ONLY	510-541
14	VIBRATOR, TURBINE, 1/8" NPT	517-971
15	SPACER, 3/4" OD x 5/16" ID x 1/2" LG, ZINC PLATED	536-359
16	DIFFUSER 1/8" SINTERED	109-063
17	ADAPTOR, 1/4" TUBE x 1/8" MPT	520-252
18	ADAPTOR, 1/4" TUBE x 1/8" MPT, 90*	520-432
19	VALVE, AIR, PILOT OPERATED, 3-WAY, 1/8" NPT, NORMALLY CLOSED	519-011
20	NIPPLE, HEX, 1/4" MNPT x 1/8" MNPT	888-3031-31200PB
21	REGULATOR, PRESSURE, 1/4" (PANEL MOUNT)	517-611
22	PRESSURE GAUGE, 1/8" NPT	408013
23	NIPPLE, TBE, GALV, 1/4" x 2"	888-3029-10209PB
24	TEE, GALV, 1/4"	888-3011-102PB
25	ADAPTOR, TEE, 1/4" TUBE	522-991
26	RECLAIMER SCREEN VIBRATOR KIT (CUSTOMER INSTALLED)	140-419
27	TUNING BAND, RECLAIMER, REPLACEMENT KIT, INCLUDES HARDWARE AND GASKET	767-581-KIT