


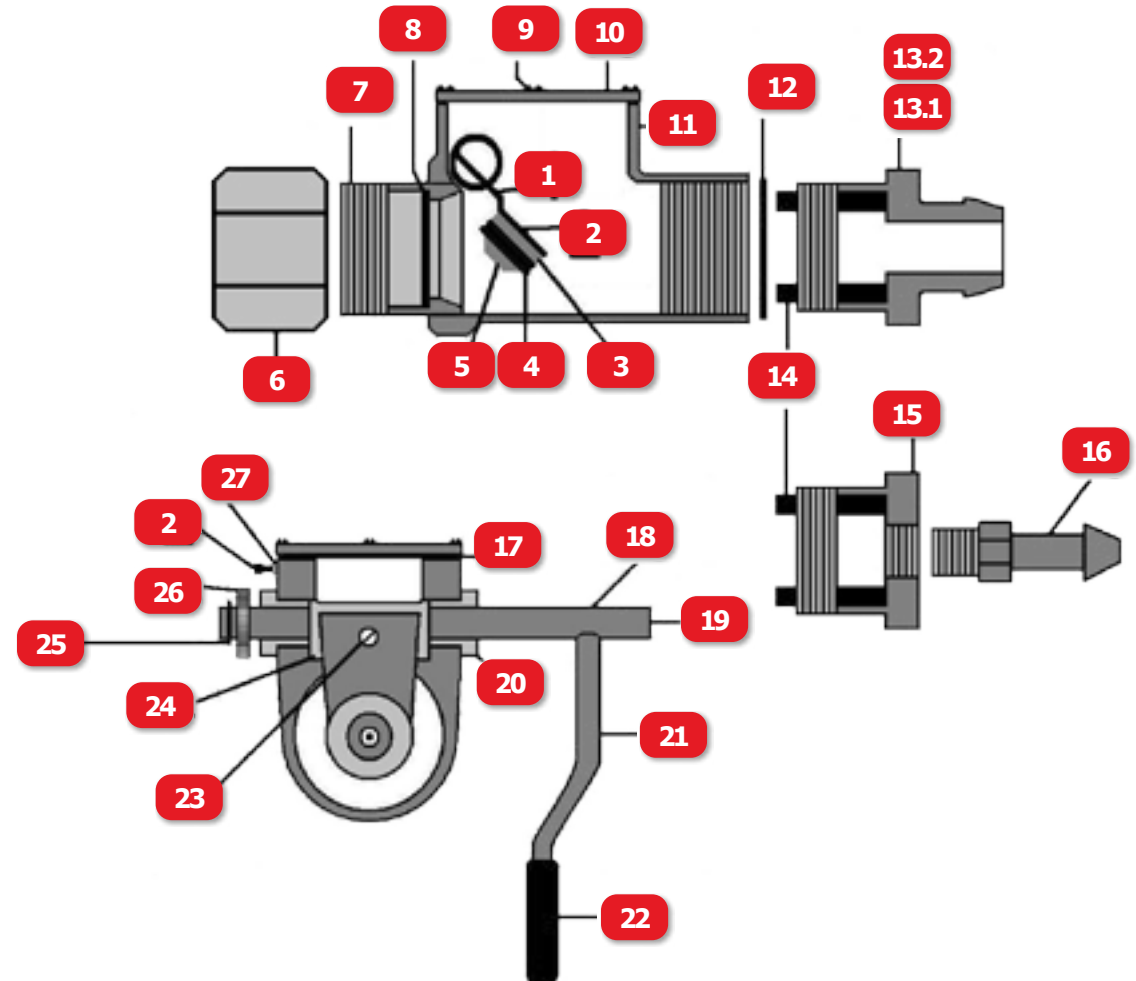


SHUTOFF VALVE

DEADMAN (Pg. 1 of 2)

| # | DESCRIPTION | PART # |
|--|--|---------|
|  | SHUTOFF VALVE (DOES NOT INCLUDE) #6, 13, 15 & 16 | 66EVD |
|  | REPAIR KIT INCLUDES #1, 2, 3, (6)4, 5, 8, 12, 14, 17, 23 & 805-034 | 66EVDK |
|  | STAR WASHER (NOT SHOWN) | 805-034 |
| 1 | SHUTOFF ARM | 100-041 |
| 2 | SOCKET HEAD SCREW | 805-533 |
| 3 | WASHER, STEEL SHUTOFF | 66VW |
| 4 | WASHER, RUBBER | 66RW |
| 5 | DISK STEM, SHUT OFF VALVE | 66EVST |
| 6 | NUT, NOZZLE HOLDING | 100-164 |
| 7 | INSERT, THREADED VALVE | 100-134 |
| 8 | NOZZLE WASHER, TYPE 1 | 66CHW |
| 9 | SOCKET HEAD CAP SCREW | 805-531 |
| 10 | VALVE COVER | 100-170 |
| 11 | VALVE BODY | 100-018 |
| 12 | RUBBER O-RING | 66RR |
| 13.1 | HOSE END CPLG, 3/4" ID HOSE, INCLUDES O-RING & RUBBER LINER | 3-66HE |
| 13.2 | HOSE END CPLG, 1" ID HOSE, INCLUDES O-RING & RUBBER LINER | 4-66HE |
| 14 | RUBBER LINER, 3/4" & 1" HOSE | 800-236 |



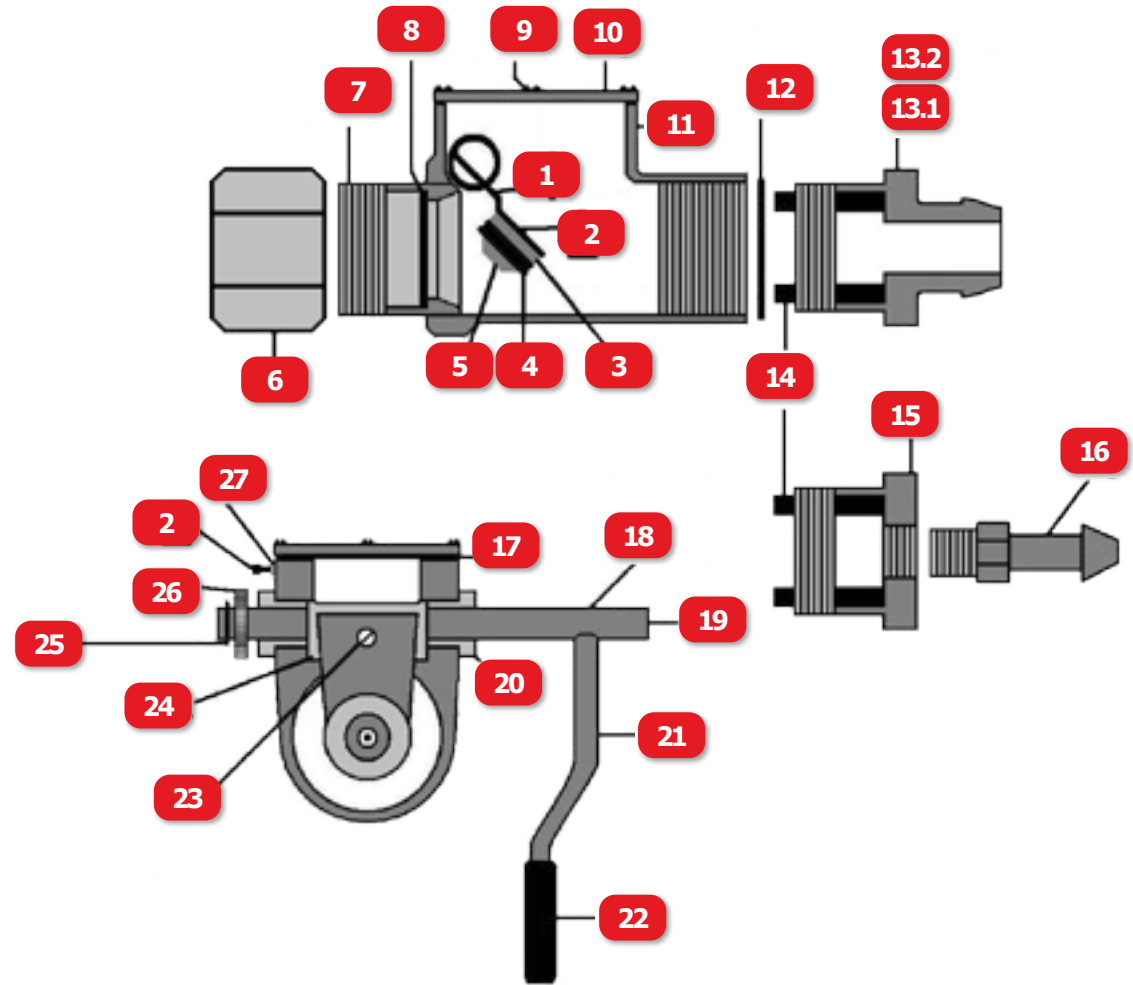
www.pirate-brand.com
 (317) 829-0147 • (800) 892-6223
 2719 Tobey Dr. Indianapolis, IN 46219



SHUTOFF VALVE

DEADMAN (Pg. 2 of 2)

| # | DESCRIPTION | PART # |
|----|-----------------------------|---------|
| 15 | NOZZLE CPLG BASE, 1/2" NPT | 66B |
| 16 | HOSE END CPLG, 1/2" ID HOSE | 1-74 |
| 17 | COVER, GASKET | 66EVG |
| 18 | VALVE SPINDLE | 100-070 |
| 19 | SPINDLE SET SCREW | 800-217 |
| 20 | SPINDLE BUSHING, BRASS | 66TB |
| 21 | VALVE HANDLE W/GRIP | 66VHD |
| 22 | HANDLE GRIP | 800-338 |
| 23 | SCREW | 800-218 |
| 24 | SPINDLE O-RING | 15-30-O |
| 25 | SPINDLE E-CLIP | 800-149 |
| 26 | TORSION SPRING | 66VSS |
| 27 | SPRING BOLT NUT | 804-322 |



www.pirate-brand.com
 (317) 829-0147 • (800) 892-6223
 2719 Tobey Dr. Indianapolis, IN 46219

