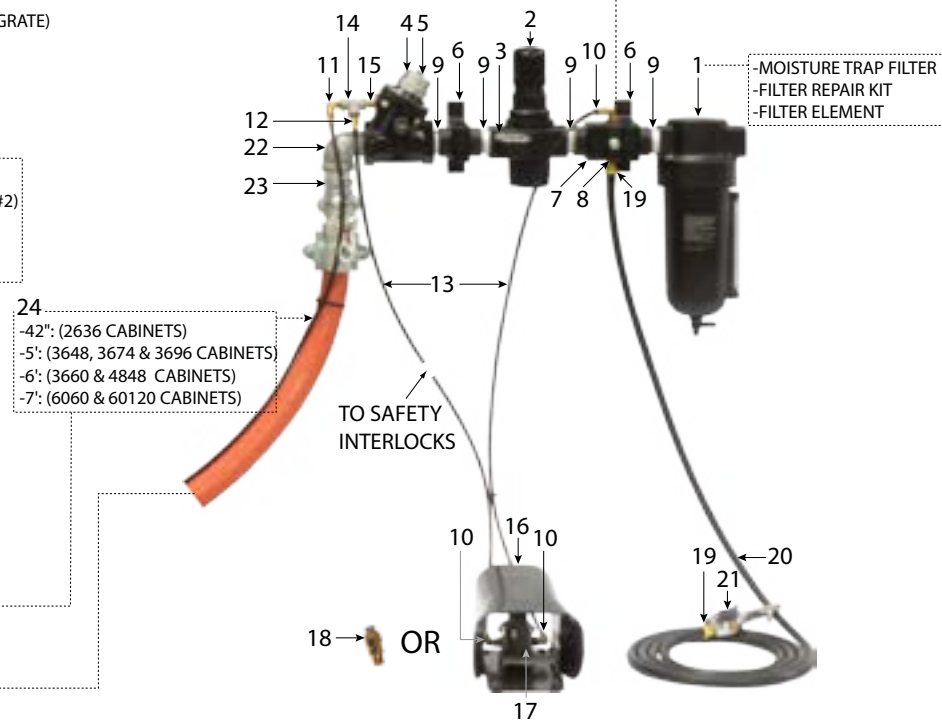
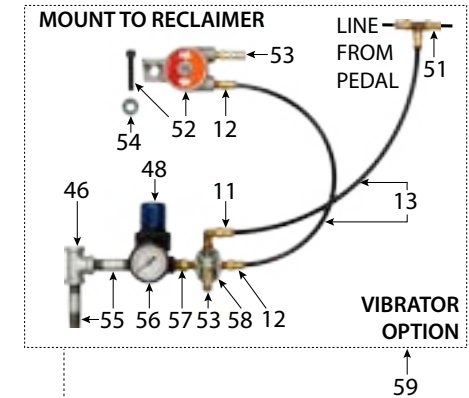
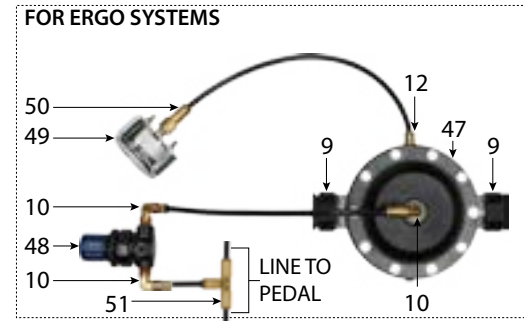
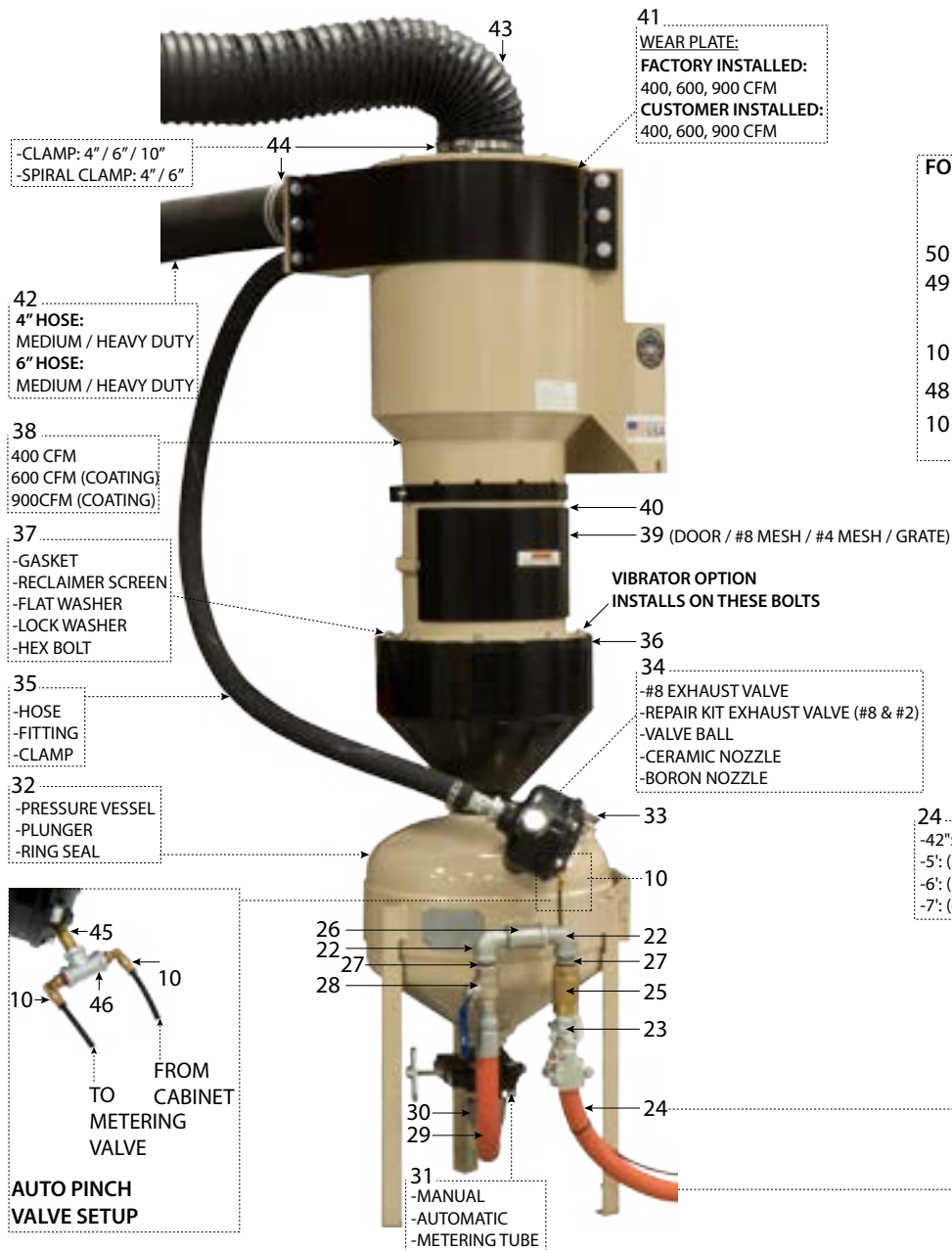


1" PIPE STRING

EMPIRE STYLE (Pg. 1 of 4, See Next Page For Parts Table)



www.pirate-brand.com
 (317) 829-0147 • (800) 892-6223
 2719 Tobey Dr. Indianapolis, IN 46219



1" PIPE STRING

EMPIRE STYLE (Pg. 2 of 4)

#	DESCRIPTION	PART #
1	FILTER, MANUAL 1" NPT MOISTURE TRAP (5 MICRON)	517-271
1.2	REPAIR KIT, AIR FILTER, 3/4", 1", 1-1/4" & 1-1/2"	505-161
1.3	FILTER ELEMENT 3/4", 1", 1-1/4" & 1-1/2" 5 MICRON	508-002
2	REGULATOR, PRESSURE, 1"	517-251
2.2	REPAIR KIT FOR 517251, 517291 REGULATORS	508-161
3	GAUGE, PRESSURE 0-160 BTM MNT	100-0240
4	VALVE, AUTO AIR, 1", (NORMALLY CLOSED)	888-2123-106PB
4.2	VALVE, AUTO AIR, 1/2", 3/4" & 1", REPAIR KIT INCLUDES # 1, 2, 3, 5, 7, 11, 13, 20 & 21	888-2123-00699PB
5	VENT, 1/8"	888-2014-300PB
6	QUICK CLAMP FITTING W/ MOUNTING FEET	522-155
7	QUICK CLAMP FITTING	522-154
8	QUICK CLAMP PORTING BLOCK (1/4" PORTS X3)	522-157
9	QUICK MOUNT PIPE ADAPTOR, 1"	522-156
10	ADAPTOR, 1/4" TUBE x 1/4" MPT, 90*	520-242
11	ADAPTOR, 1/4" TUBE x 1/8" MPT, 90*	520-432
12	ADAPTOR, 1/4" TUBE x 1/8" MPT	520-252
13	TUBING, BLACK, POLYETHYLENE, 1/4" (PER FT), SOLD IN 10' INCREMENTS ONLY	510-541
14	TEE, GALV 1/8"	888-3011-100PB

#	DESCRIPTION	PART #
15	NIPPLE, HEX 1/8"MNPT x 1/8" MNPT	888-3031-30002PB
16	FOOT TREADLE, ASSY	140-579
16.1	PILOT VALVE, 3-WAY, PUSH BUTTON (NORMALLY CLOSED)	518-661
17	DUST ELIMINATOR, 1/4" MNPT	888-2013-402PB
18	VALVE, PUSH BUTTON, 3 WAY	517-221
18.2	CONNECTOR, BRASS 1/8" TUBE x 10-32	521-101
19	HOSE, PUSH-ON INSERT 1/4" x 1/4" NPT	888-4200-30202PB
20	HOSE, AIR, INSTA-GRIP, BLACK, NOMINAL 1/4" ID, 250 PSI, PRICE PER FOOT, SOLD IN 10' INCREMENTS ONLY, REEL SIZE 500'	888-4101-002PB
21	GUN, DUST OFF, 1/4" NPT	509-821
22	ELBOW, STREET, 90*, GALV, 1"	888-3006-106PB
24	AIR HOSE ASSEMBLY, 1" x 42" LONG, FITS 2636 EMPIRE STYLE CABINETS	140-301
24.2	AIR HOSE ASSEMBLY, 1" x 5' LONG, FITS 3648, 3674 & 3696 EMPIRE STYLE CABINETS	140-302
24.3	AIR HOSE ASSEMBLY, 1" x 6' LONG, FITS 3660 & 4848 EMPIRE STYLE CABINETS	140-303
24.4	AIR HOSE ASSEMBLY, 1" x 7' LONG, FITS 6060 & 60120 EMPIRE STYLE CABINETS	140-304
25	VALVE, 1", BALL CHECK	517-503
26	TEE, GALV, 1" x 1" x 1/2"	888-3011-10604PB
26.2	NIPPLE, TBE, SCHEDULE 80, GALV, 1/2" x CLOSED	888-3028-10499PB
27	NIPPLE, TBE, GALV, 1" x CLOSED	888-3029-10699PB
28	BALL VALVE, FULL PORT, 1" NPT, CHROME PLATED BRASS W/ NYLOCK HANDLE NUT	VB100

1" PIPE STRING

EMPIRE STYLE (Pg. 3 of 4)

#	DESCRIPTION	PART #
29	PUSHER LINE KIT (FLEX) 1" x 16", OAL 20"	290-320
30	TEE, GALV, 1" x 1" x 2" (FITS PRESSURE CABINETS)	545-822
31	VALVE, PINCH, MANUAL (INCLUDES: X-TREME DUTY™ TUBE)	290-383
31.2	VALVE, PINCH, AUTOMATIC (INCLUDES: X-TREME DUTY™ TUBE)	290-215
31.3	TUBE, METERING, X-TREME DUTY™, 3/4" I.D.	523-592
32	PRESSURE VESSEL, 1 CU. FT. (28 LITERS), (INCLUDES PLUNGER & SEALING RING)	760-811
32.2	PLUNGER, SEALING, COATED	510-431
32.3	RING SEALING	523-942
33	SIGHT GLASS, 1-1/4" MNPT, EACH	545-471
34	VALVE, EXHAUST, #8 (INCLUDES: X-TREME DUTY™ BALL)	290-182
34.2	VALVE, EXHAUST, #8 & #2, REPAIR KIT, INCLUDES # 1, (2)2, 3, & 4 (INCLUDES: X-TREME DUTY™ BALL)	290-183
34.3	VALVE BALL, X-TREME DUTY™	525-322
34.4	NOZZLE, CERAMIC, STRAIGHT BORE, 5/16" BORE, 1-3/8" LENGTH, FLANGED	502-431
34.5	NOZZLE, BORON CARBIDE, STRAIGHT BORE, GUN INSERT, 5/16" BORE, 1-1/8" FLANGED x 1-3/8" LENGTH	502-081
35	HOSE, EXHAUST, FOR STANDARD 1 CU FT VESSEL (67" OAL)	522-611
35.2	FITTING, BARBED, 1"	520-181
35.3	CLAMP, HOSE 2"	520-512
36	HOPPER, PRESSURE	760-741

#	DESCRIPTION	PART #
37	GASKET, HOPPER	524-371
37.2	RECLAIMER SCREEN, 11 GA PERF, 5/16" HOLES, 13" DIA.	760-711
37.3	FLAT WASHER, 3/8"	33008
37.4	LOCK WASHER, 3/8"	1133622
37.5	HEX BOLT, 3/8"-16 x 1 HHCS	105-3816-1
38	RECLAIMER ASSEMBLY, 400 CFM	140-439
38.2	RECLAIMER ASSEMBLY, 600 CFM	140-440
38.3	COATING ONLY, 600 RECLAIMER, POLYUREA, (FACTORY INSTALLED)	525-861
38.4	RECLAIMER ASSEMBLY, 900 CFM	140-441
38.5	COATING ONLY, 900 RECLAIMER, POLYUREA (FACTORY INSTALLED)	525-891
39	DOOR, RECLAIMER	760-721
39.2	SCREEN, RECLAIMER, REMOVABLE, #8 MESH, 11-1/2" DIA x 2-1/8" HEIGHT (RECOMMENDED FOR 36 GRIT AND FINER ABRASIVES)	739-041
39.3	SCREEN, RECLAIMER, REMOVABLE, #4 MESH, 11-1/2" DIA x 2-1/8" HEIGHT (RECOMMENDED FOR ABRASIVES LARGER THAN 36 GRIT)	739-051
39.4	ROUND MAGNETIC SEPARATOR GRATE, 10" DIAMETER, 2-1/2" HEIGHT	511-572
40	GASKET, DOOR, RECLAIMER	524-331
41	WEAR PLATE, 400 CFM RECLAIMER, (FACTORY INSTALLED)	514-471
41.2	WEAR PLATE, 600 CFM RECLAIMER, (FACTORY INSTALLED)	514-481
41.3	WEAR PLATE, 900 CFM RECLAIMER, (FACTORY INSTALLED)	514-491
41.4	WEAR PLATE, 400 CFM RECLAIMER, (CUSTOMER INSTALLED)	514-501

1" PIPE STRING

EMPIRE STYLE (Pg. 4 of 4)

#	DESCRIPTION	PART #
41.5	WEAR PLATE, 600 CFM RECLAIMER, (CUSTOMER INSTALLED)	514-511
41.6	WEAR PLATE, 900 CFM RECLAIMER, (CUSTOMER INSTALLED)	514-521
42	HOSE, CONVEYING, MEDIUM DUTY, NOMINAL 4" ID, PRICE PER FOOT, SOLD IN 10' INCREMENTS ONLY, BOX SIZE 50'	1830-20
42.2	HOSE, CONVEYING, MEDIUM DUTY, NOMINAL 6" ID, PRICE PER FOOT, SOLD IN 10' INCREMENTS ONLY, BOX SIZE 50'	1830-100
42.3	HOSE, CONVEYING, HEAVY DUTY, NOMINAL 4" ID, HG 29, PRICE PER FOOT, SOLD IN 10' INCREMENTS ONLY, SECTION SIZE 100'	210-004
42.4	HOSE, CONVEYING, HEAVY DUTY, NOMINAL 6" ID, HG 29, PRICE PER FOOT, SOLD IN 10' INCREMENTS ONLY, SECTION SIZE 100'	210-006
43	HOSE, DUST, NOMINAL 6" ID, PRICE PER FOOT, SOLD IN 25' SECTIONS ONLY	220-006
43.2	HOSE, DUST, NOMINAL 10" ID, PRICE PER FOOT, SOLD IN 25' SECTIONS ONLY	220-010
44	CLAMP, HOSE 4"	520-531
44.2	CLAMP, HOSE 6"	520-551
44.4	CLAMP, SPIRAL, FITS 4" CONVEYING HOSE, HEAVY DUTY	SC-400
44.5	CLAMP, SPIRAL, FITS 6" CONVEYING HOSE, HEAVY DUTY	SC-600
45	NIPPLE, HEX 1/4" MNPT x 1/4" MNPT	888-3031-31202PB
46	TEE, GALV, 1/4"	888-3011-102PB
47	REGULATOR, 1" PILOT OPERATED	517-631
47.2	REPAIR KIT, 517-631 REGULATOR	508-211
48	REGULATOR, PRESSURE, 1/4" (PANEL MOUNT)	517-611

#	DESCRIPTION	PART #
49	GAUGE, AIR 1/8"	550-212
50	ADAPTOR, 1/4" TUBE x 1/8" FPT	520-762
51	ADAPTOR, TEE, 1/4" TUBE	522-991
52	VIBRATOR, TURBINE, 1/8" NPT	517-971
53	DIFFUSER 1/8" SINTERED	109-063
54	SPACER, 3/4" OD x 5/16" ID x 1/2" LG, ZINC PLATED	536-359
55	NIPPLE, TBE, GALV, 1/4" x 2"	888-3029-10209PB
56	PRESSURE GAUGE, 1/8" NPT	408013
57	NIPPLE, HEX, 1/4" MNPT x 1/8" MNPT	888-3031-31200PB
58	VALVE, AIR, PILOT OPERATED, 3-WAY, 1/8" NPT, NORMALLY CLOSED	519-011
59	RECLAIMER SCREEN VIBRATOR KIT (CUSTOMER INSTALLED)	140-419



www.pirate-brand.com
 (317) 829-0147 • (800) 892-6223
 2719 Tobey Dr. Indianapolis, IN 46219