

Directions: Please complete all the information and submit back via fax to **(800) 996-8090** or email to **info@tank-mart.com**. A representative will call back to go over every detail and make sure you're comfortable enough to place your order.



Part Number: _____

Quantity: _____

(800) 211-7998
ATTN: SCOTT

1. Enter part number and quantity
2. Enter length, width and height in inches
3. Use the fitting images to indicate location of fittings
 - INDICATES A HIDDEN FITTING (Bottom, Left & Backside)
 - INDICATES A VISIBLE FITTING (Top, Right & Frontside)
4. Most fittings we install will be female NPT
5. We will contact you to discuss the type of fittings to be installed

THIS TANK WILL BE USED FOR:

BOAT RV

OTHER: _____

IT WILL CONTAIN:

NAME: _____

COMPANY: _____

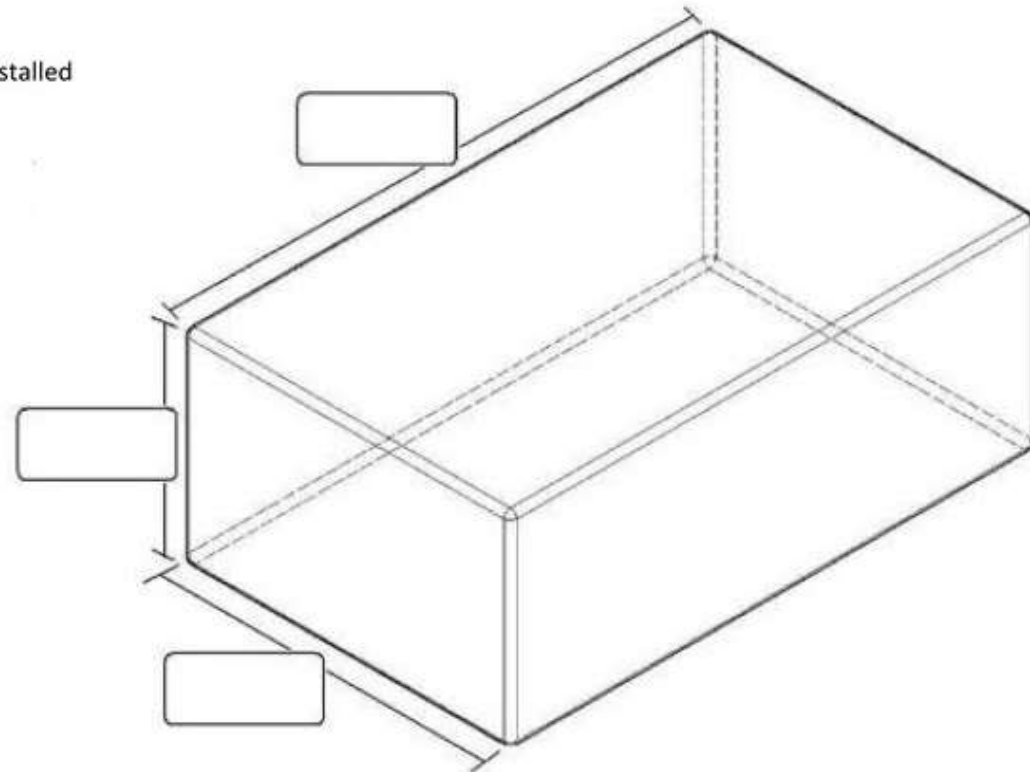
PHONE: _____

EMAIL: _____

SHIP TO ADDRESS: _____

SHIP TO PHONE: _____

SHIP TO: COMMERCIAL RESIDENTIAL



****THIS TANK IS NOT INTENDED FOR FUEL USE****