



ODEN BENCHTOP LIQUID FILLER Automation Package

Improve Your Filling Line Productivity with an Oden Liquid Filler

- Increase your uptime.
- Fill free flowing to very viscous products on the same machine.
- Fill wide range of container shapes in volumes from 15 mL to 2.5 gallons on the same machine.
- Fill at speeds up to 100 per minute.
- Expandable as your business grows.

Buy an Oden Liquid Filler "Risk Free"

For added value Oden takes the 'risk' out of buying a liquid filler. You will receive written performance guarantees for each product submitted for free product testing.

Guarantees incorporate speed, accuracy and no-drip machine performance.

Send us your products and containers and take advantage of this free service. Call today to make arrangements.

Phone: 800-658-3622

Phone: 716-874-3000

Email: sales@odenmachinery.com



The modular design concept of Oden's Automation Package allows for the full automation of new or previously purchased Oden Servo/Fill® and Pro/Fill® benchtop fillers.

STANDARD FEATURES:

- 4.3-inch TFT Active Matrix 256 Color 480 x 272 pixel display touch screen housed in a sealed NEMA 4 stainless steel enclosure.
- Touch screen provides easy operator access to all automation functions including conveyor speed and container indexing parameters.
- Fiber optic No-Bottle/No-Fill sensor and controls.
- Oden's air operated, electronically controlled dual point indexing system.
- Indexing system includes permanent reference scales for easy and repeatable set-up.
- Automation system is expandable to control up to two Oden benchtop fillers.
- Oden benchtop fillers can be operated independently from automation package for small batch runs.



ODEN BENCHTOP LIQUID FILLER Automation Package

**Increase your
filling line
productivity –
call us today!**

**We want to work with you
to increase your filling line
productivity.**

Our innovations in liquid filling and blending technologies will help:

- Increase your uptime.
- Reduce labor costs.
- Prepare for future needs.

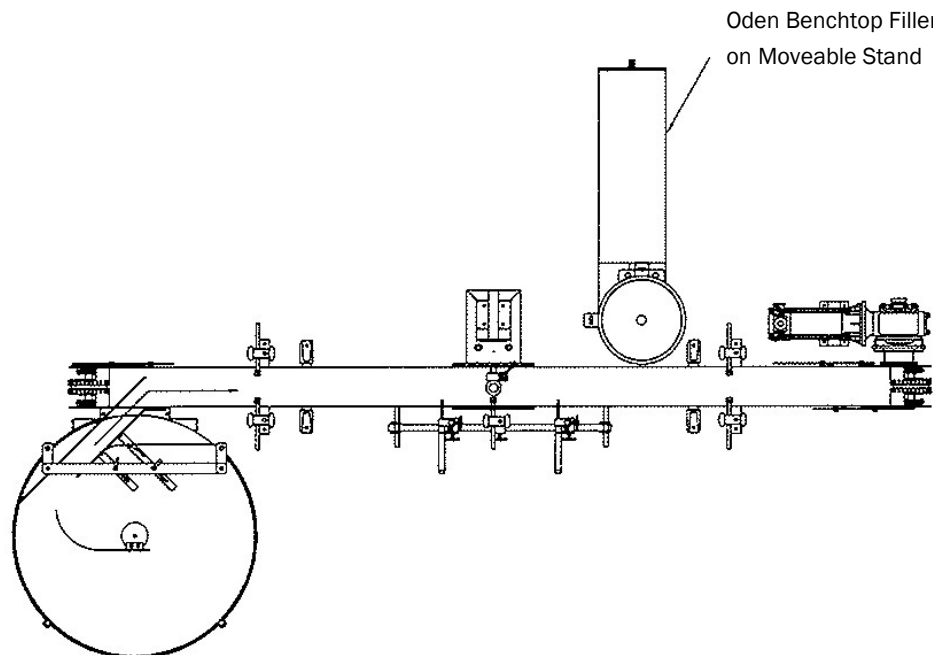
Oden Machinery

600 Ensminger Rd.
Tonawanda, NY 14150
www.odenmachinery.com

Phone: 800-658-3622

Phone: 716-874-3000

Email: sales@odenmachinery.com



AIR AND ELECTRICAL REQUIREMENTS:

Air Requirements: 80 PSI @ 1 SCFM

Electrical Requirements: 220 VAC 50–60 Hz.

OPTIONAL FEATURES:

- Servo/Fill® and Pro/Fill® semi-automatic benchtop fillers equipped with Oden designed CleanGear® Pump or Waukesha Universal Series sanitary lobe pumps.
- Oden “easy-clean” stainless steel conveyor 10 feet long with 6 inch Delrin chain and variable speed DC motor drive. Includes 4 guide rails with no-tool adjustment hardware.
- Sanitary (solid top, 1-1/2” raised chain bed) stainless steel conveyors in any length and in widths up to 12 inches.
- Diving nozzle system features easy set-up. 14 inch adjustable dive distance and nozzle lift sensor.
- Explosion proof (hazardous location) construction to Class 1, Division 1, Group D standards using X-purge method.
- Oden Rotary unscrambling and accumulation tables.

Oden Machinery maintains a constant program of product improvement which may affect design and/or specifications. We reserve the right to make these changes without prior notice or liability.