



# Installation Instructions SUPERTOP NX Twill

Vehicle Application:  
Jeep® Wrangler JK Unlimited 2007-2018  
Part Number 54823

## Installation Tips

Before you begin installing your new SUPERTOP NX Twill, please read all the instructions thoroughly.


### For a smooth fit:

For easier installation, the top should be installed at a temperature above 72° F. Below this temperature, the fabric may contract an inch or more, making it difficult to fit the vehicle.

It is normal for the fabric to contract and wrinkle when stored in the shipping carton. Within a few days after installation, the fabric will relax and the wrinkles will disappear.



**CAUTION** Safety glasses should be worn at all times when installing this product.

Tools				Installation Time	Support
				4 Hours	<p>We're here to help! Go to <a href="http://www.Bestop.com">www.Bestop.com</a> and click "Contact Us"</p>  <p>See a video showing installation of this top at <a href="http://www.bestop.com/video">www.bestop.com/video</a></p>
				<p><b>Skill Level</b></p> <p>1 2 <b>3</b> 4</p> <p>3 - Moderately Difficult</p>	

**WARNING** This product is designed primarily to enhance the appearance of the vehicle and to shield the occupants from ordinary weather conditions. Do not rely in any way on the components of this product to contain occupants within the vehicle, or to protect against injury or death in the event of an accident. This product will not protect the occupants from falling objects. Never operate the vehicle in excess of manufacturer's specifications.

### WEAR SEAT BELTS AT ALL TIMES

Read and follow, precisely, all installation instructions provided when installing this product. Failure to do so may result in a poor fit and could place occupants of the vehicle in a potentially dangerous situation.



## Installation Instructions SUPERTOP NX Twill

Vehicle Application:  
Jeep® Wrangler JK Unlimited 2007-2018  
Part Number 54823

### Sugerencias de Instalación

**Antes de empezar a instalar esta unidad, lea atentamente todas las instrucciones.**

**Para un buen ajuste:**

Para facilitar la instalación, el producto debe instalarse a temperaturas superiores a 72 °F (22 °C).

Por debajo de esta temperatura, la tela puede encogerse una pulgada o más, lo que dificultaría su ajuste al vehículo.

Es normal que la tela se contraiga o arrugue cuando está guardada en la caja de empaque. A los pocos días después de la instalación, la tela se relajará y las arrugas desaparecerán.



#### ADVERTENCIA

Este producto se diseñó principalmente para mejorar la apariencia del vehículo y proteger a los ocupantes de las condiciones climáticas comunes. De ninguna manera piense que los componentes de este producto pueden servir como medio de contención para los ocupantes del vehículo o que pueden protegerlos contra lesiones o la muerte en caso de accidente. Este producto no protegerá a los ocupantes contra caídas de objetos. Nunca conduzca este vehículo fuera de las especificaciones del fabricante.

#### USE LOS CINTURONES DE SEGURIDAD EN TODO MOMENTO

Lea y siga con precisión todas las instrucciones de instalación que se proporcionan para instalar este producto. Si no lo hace, podría producirse un mal ajuste que colocaría a los ocupantes del vehículo en una situación potencialmente peligrosa.



#### PRECAUCIÓN

Debe usar gafas protectoras en todo momento durante la instalación de este producto.

### Conseils pour l'installation

**Lire toutes les instructions au complet avant de commencer l'installation de cet assemblage.**

**Pour un ajustement sans problème :**

Afin de faciliter l'installation, ce produit doit être installé à des températures au-dessus de 72 °F (22 °C).

Sous cette température, le tissu peut rétrécir d'un pouce (2,5 cm) ou plus, ce qui rendra l'ajustement sur le véhicule difficile.

Il est normal que le tissu rétrécisse et plisse pendant qu'il est dans la boîte d'expédition. En quelques jours après l'installation, le tissu se détendra et les plis disparaîtront.



#### AVERTISSEMENT

Ce produit est conçu principalement pour améliorer l'apparence du véhicule et pour protéger les occupants des conditions météorologiques usuelles. Ne jamais se fier aux composants de ce produit pour se protéger de blessures ou de la mort en cas d'accident. Ce produit ne protégera pas les occupants des chutes d'objets. Ne jamais utiliser le véhicule au-delà des caractéristiques techniques indiquées par le fabricant.

#### PORTER UNE CEINTURE DE SÉCURITÉ EN TOUT TEMPS

Lire et suivre, très fidèlement, toutes les instructions d'installation fournies lors de l'installation de ce produit. Ne pas suivre cette consigne peut causer une installation inadéquate et mettre les occupants du véhicule dans une situation potentiellement dangereuse.



#### MISE EN GARDE

Des lunettes de sécurité doivent être portées en tout temps lors de l'installation de ce produit.



# Installation Instructions SUPERTOP NX Twill

Vehicle Application:  
Jeep® Wrangler JK Unlimited 2007-2018  
Part Number 54823

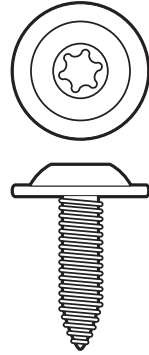
## Parts List



M5 x 16 Screw  
Qty. 6  
Part # 459.45



M5 x 30 Screw  
Qty. 2  
Part # 308.87



Bow Mount Screw  
Qty. 4  
Part # 308.64



Pan Head  
Washer Screw  
Qty. 31  
Part # 393.79



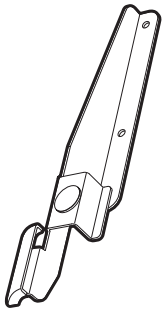
Plastic Bushing  
Qty. 8  
Part # 473.40



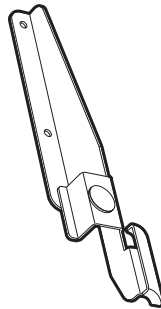
M5 Nylock Nut  
Qty. 8  
Part # 308.62



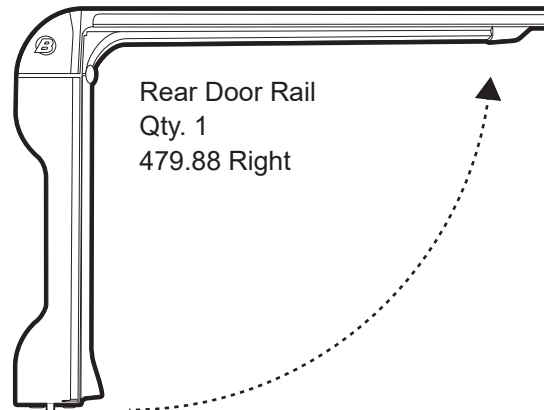
Pivot Knuckle Screw  
Qty. 2  
Part # 308.65



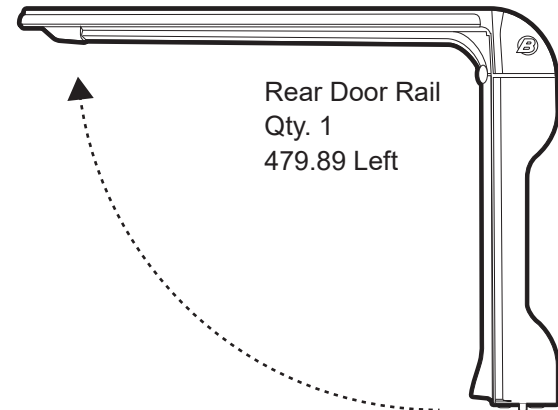
Cable Guide Bracket  
Qty. 1  
Part # 482.83 - Left



Cable Guide Bracket  
Qty. 1  
Part # 482.82 - Right



Rear Door Rail  
Qty. 1  
479.88 Right



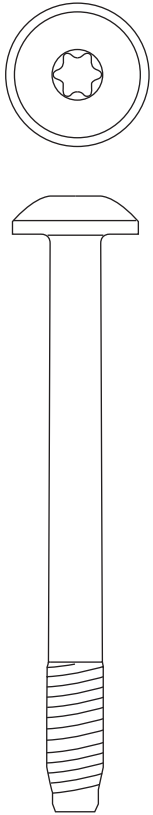
Rear Door Rail  
Qty. 1  
479.89 Left



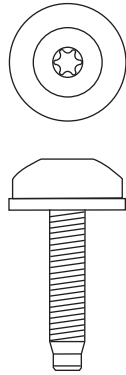
# Installation Instructions SUPERTOP NX Twill

Vehicle Application:  
Jeep® Wrangler JK Unlimited 2007-2018  
Part Number 54823

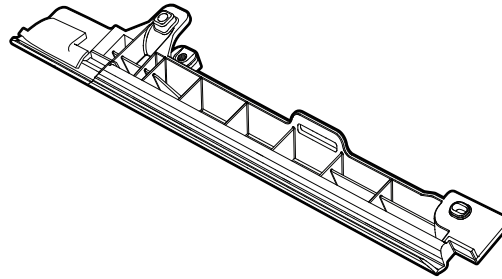
## Parts List



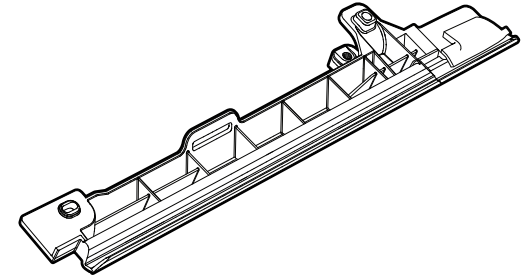
M8 x 80mm Screw  
Qty. 4  
Part # 532.23



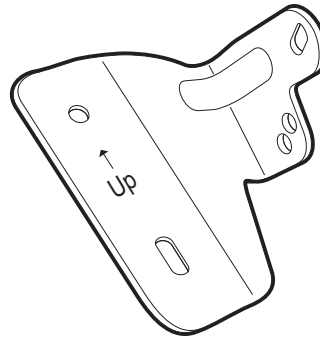
M8 x 38mm Screw  
Qty. 2  
Part # 532.17



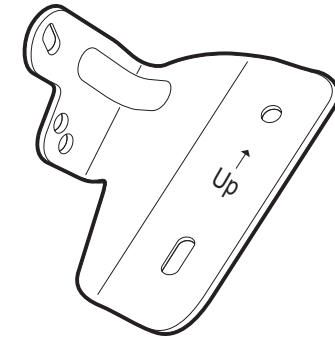
Front Door Rail  
Qty. 1  
Part # 479.87 - Left



Front Door Rail  
Qty. 1  
Part # 479.86 - Right



Bow Mount Bracket  
Qty. 1  
Part # 492.93 - Left



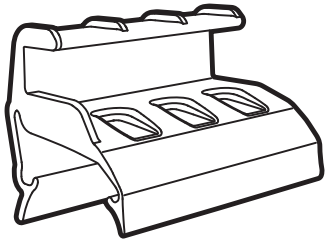
Bow Mount Bracket  
Qty. 1  
Part # 492.92 - Right



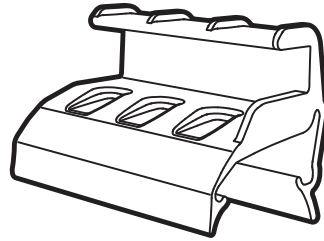
# Installation Instructions SUPERTOP NX Twill

Vehicle Application:  
Jeep® Wrangler JK Unlimited 2007-2018  
Part Number 54823

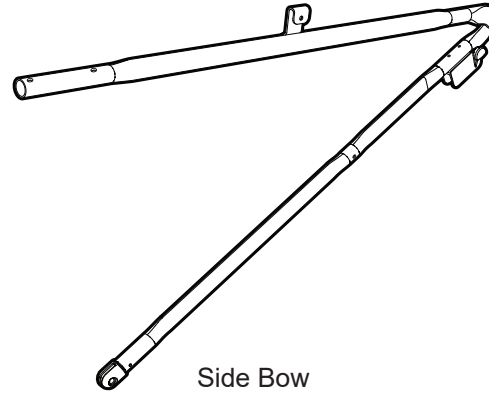
## Parts List



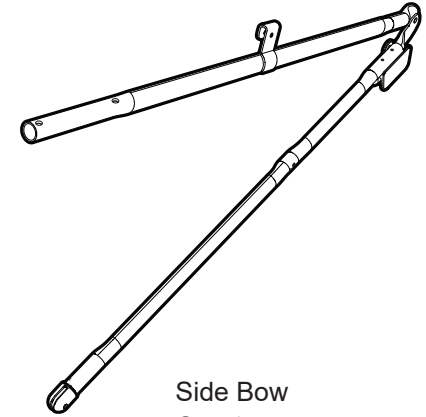
Tailgate Bar Mount  
Qty. 1  
Part # 488.47 - Left



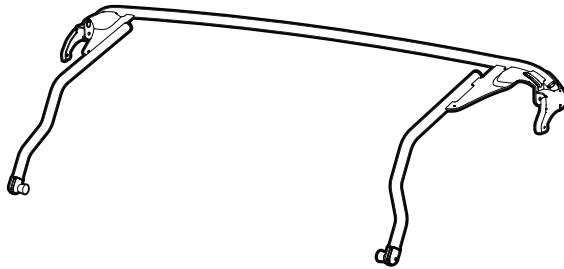
Tailgate Bar Mount  
Qty. 1  
Part # 488.46 - Right



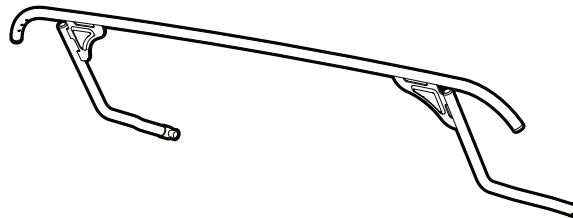
Side Bow  
Qty. 1  
Part # 492.89 - Left



Side Bow  
Qty. 1  
Part # 492.90 - Right



#3 Bow Assembly  
Qty. 1  
Part # 486.38



#4 Bow Assembly  
Qty. 1  
Part # 486.39



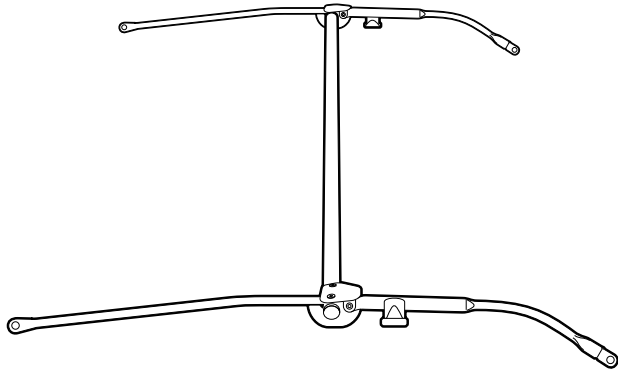
Stay Strap  
Qty. 2  
Part # 456.32



# Installation Instructions SUPERTOP NX Twill

Vehicle Application:  
Jeep® Wrangler JK Unlimited 2007-2018  
Part Number 54823

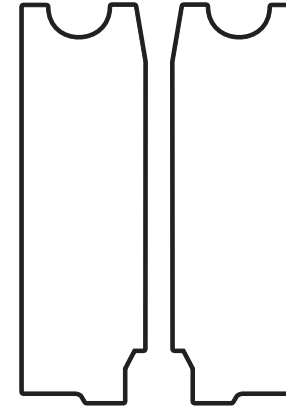
## Parts List



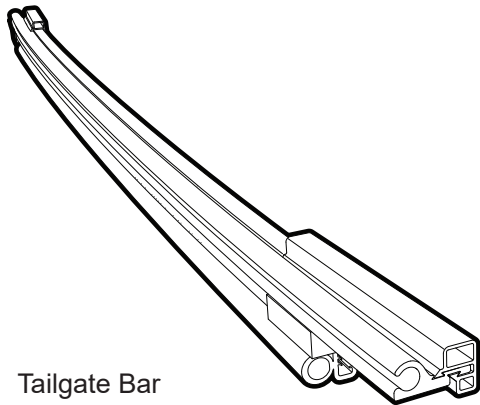
#2 Bow Assembly  
Qty. 1  
Part # 455.46



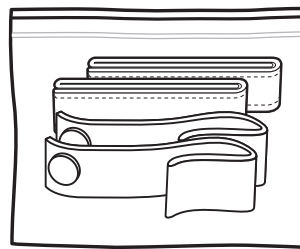
Foam Tape Strips  
Qty. 2  
Part # 417.43



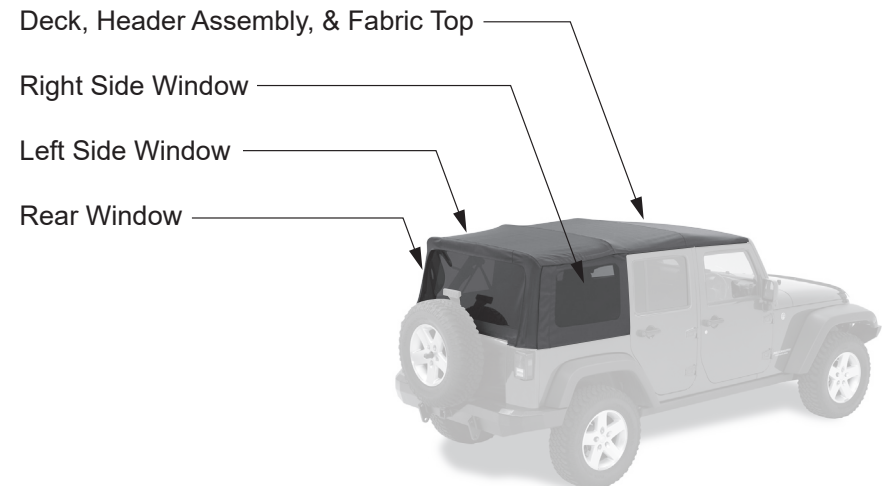
Foam Seals  
Qty. 1 per side  
Part # 457.76 (R) & 457.77(L)



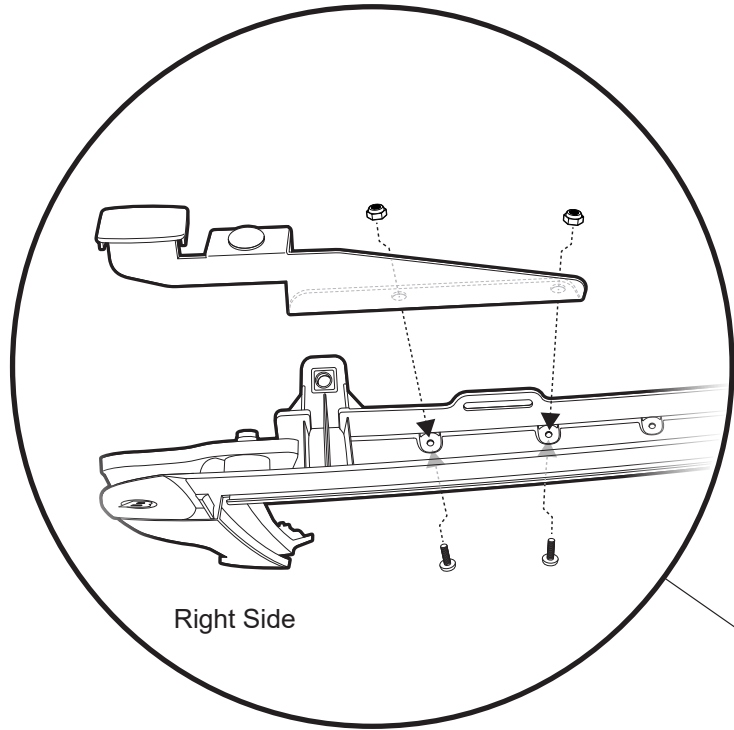
Tailgate Bar  
Qty. 1  
Part #489.46



Strap Kit  
Qty. 1  
Part #413.09



**Step 1**



Right Side

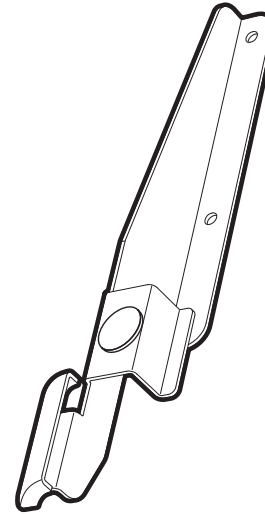
**Hardware**



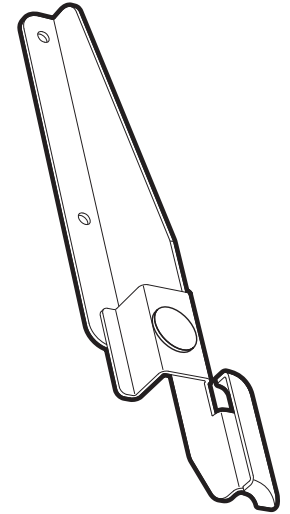
M5 x 16 Screw  
Qty. 2 per side  
Part # 459.45



M5 Nylock Nut  
Qty. 2 per side  
Part # 308.62



Cable Guide Bracket - Left  
Qty. 1  
Part # 482.83

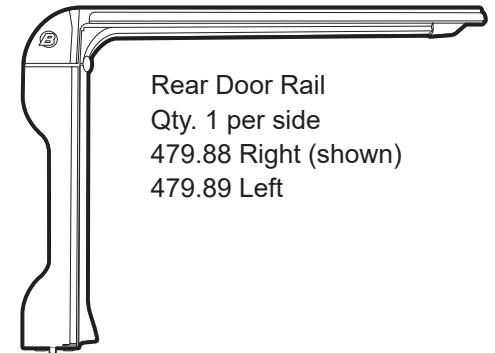


Cable Guide Bracket - Right  
Qty. 1  
Part # 482.82

**Step 1**

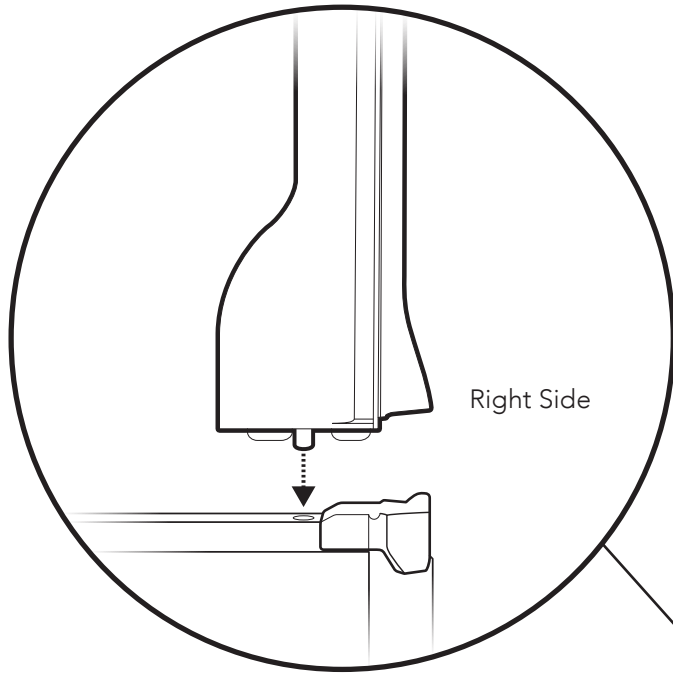
Attach the Right Cable Guide Bracket to the Right Rear Door Rail using two M5 x 16 screws and two M5 Nylock nuts.

Repeat for left side.

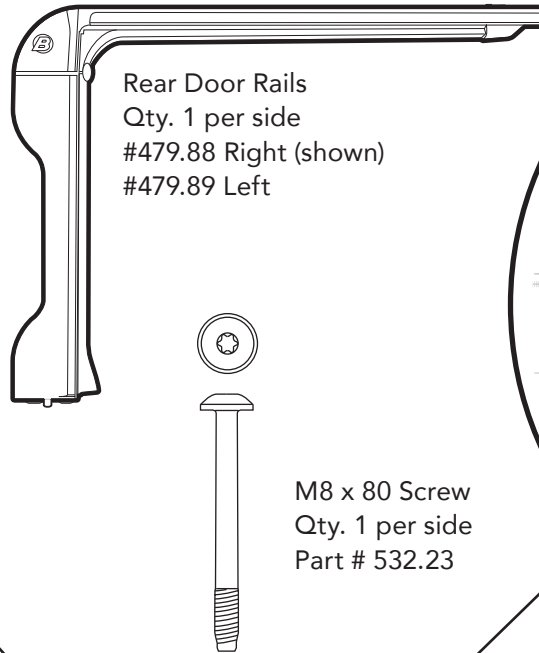


Rear Door Rail  
Qty. 1 per side  
479.88 Right (shown)  
479.89 Left

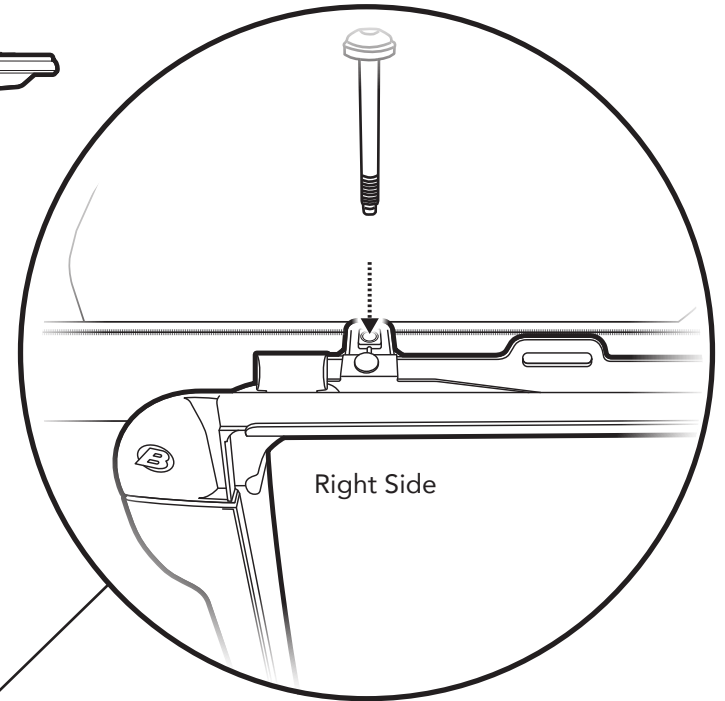
Step 1



Hardware



Step 2



Step 1

Locate the Right Rear Door Rail. Attach the Right Rear Door Rail assembly to the Jeep belt rail behind the right rear door, inserting the alignment pin on the bottom of the Door Rail Assembly into the hole in the top of the belt rail.



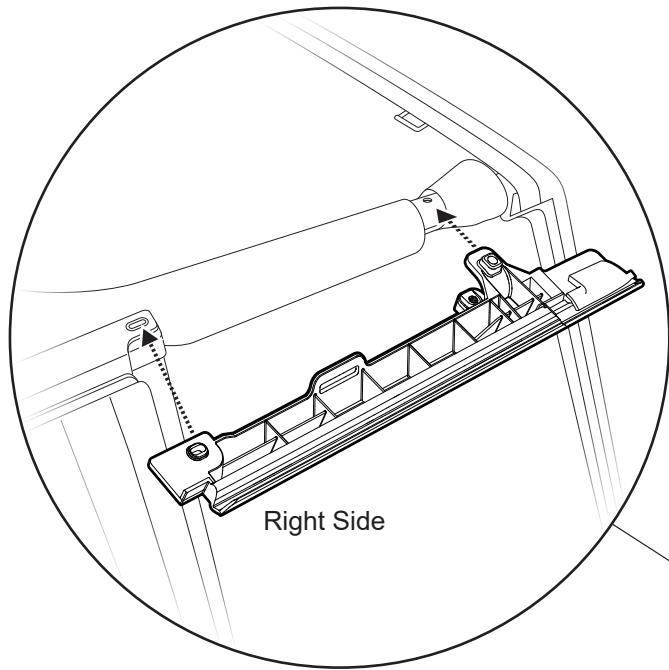
Step 2

Secure Left and Right Rear Door Rails to the Jeep Sport Bar using one (1) Long M8x80mm Screw per side. The Screws go through the tab at the rear of each Rear Door Rail, and screw into the threaded holes in the top of the sport bar.

Repeat for left side Door Rail.

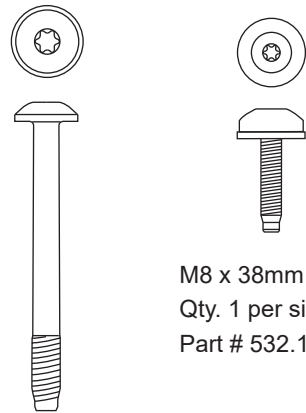


**Step 1**



Right Side

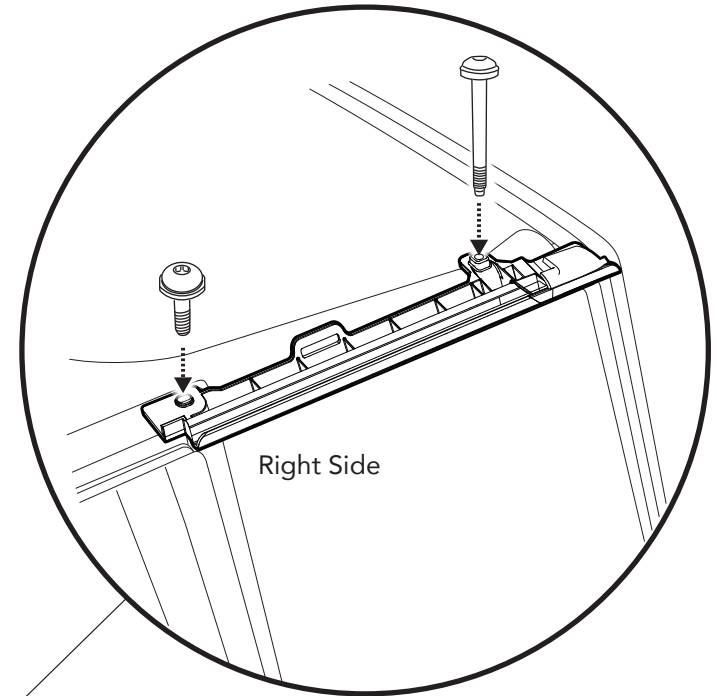
**Hardware**



M8 x 38mm Screw  
Qty. 1 per side  
Part # 532.17

M8 x 80mm Screw  
Qty. 1 per side  
Part # 532.23

**Step 2**



Right Side

**Step 1**

Attach the Right Front Door Rail to the Jeep sport bar, aligning the hole and slot in the tabs on the Front Door Rails with the threaded hole on the top of the sport bar, and with the slotted tab on the Rear Door Rail.



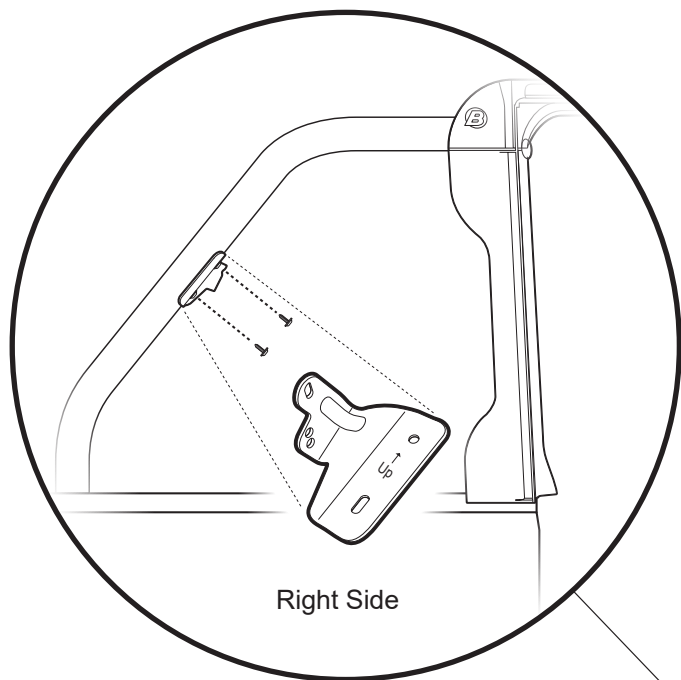
**Step 2**

Secure the Front Door Rails to the sport bar using (1) M8x38mm Short Screw at the rear, and (1) M8x80mm Long Screw at the front.

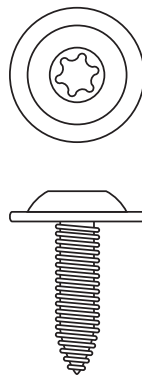
Repeat for the left side, using the Left Front Door Rail.

## Step 1

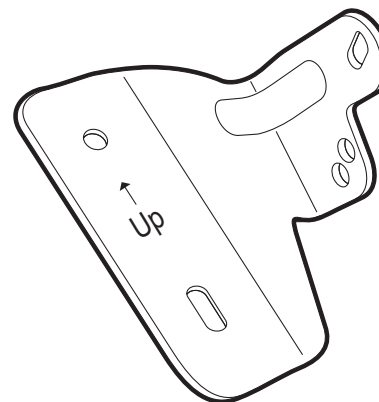
## Hardware



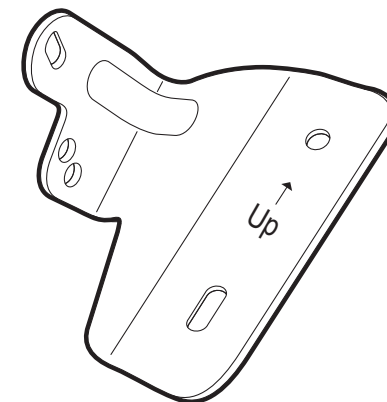
Right Side



Bow Mount Screw  
Qty. 2 per side  
Part # 308.64



Left Bow Mount Bracket  
Qty. 1  
Part # 492.93



Right Bow Mount Bracket  
Qty. 1  
Part # 492.92

## Step 1

Unzip the protective cover on the rear sport bar down-tubes and locate the two threaded holes on the underside of each sport bar down-tube.

Screw the Right Bow-Mount Support Bracket to the right-side sport bar down-tube using (2) Bow-Mount Screws.

Screw the Left Bow-Mount Support Bracket to the left-side sport bar down-tube using (2) Bow-Mount Screws.

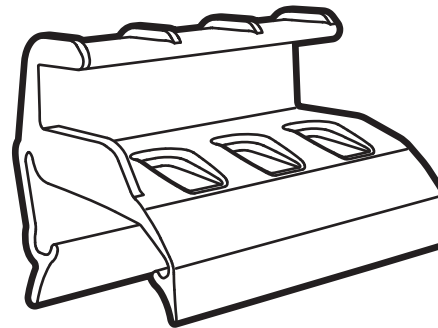
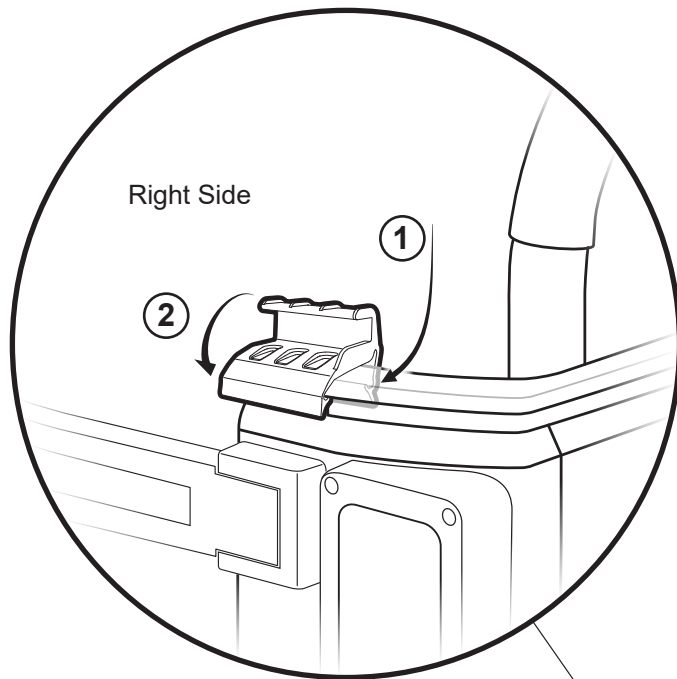


## Step 2

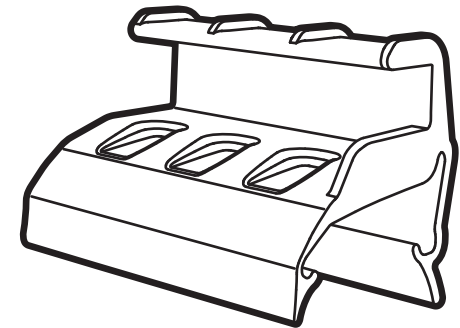
Replace the sport bar protective cover, making sure that the Bow Mount Brackets stick out through the openings in the cover.

## Step 1

## Hardware



Tailgate Bar Mount - Left  
Qty. 1  
Part # 488.47



Tailgate Bar Mount - Right  
Qty. 1  
Part # 488.46

## Step 1

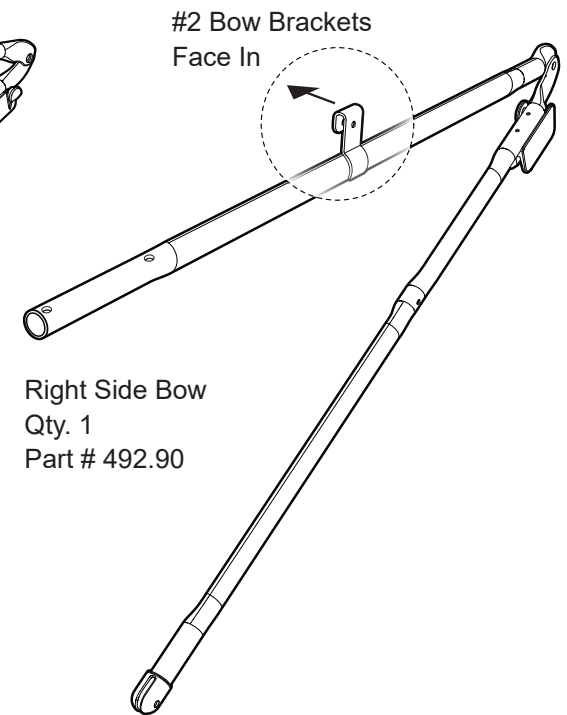
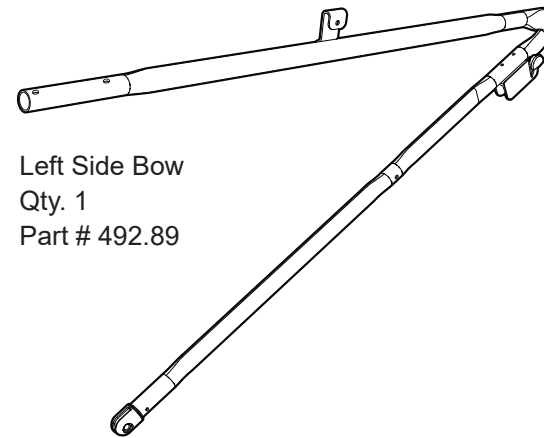
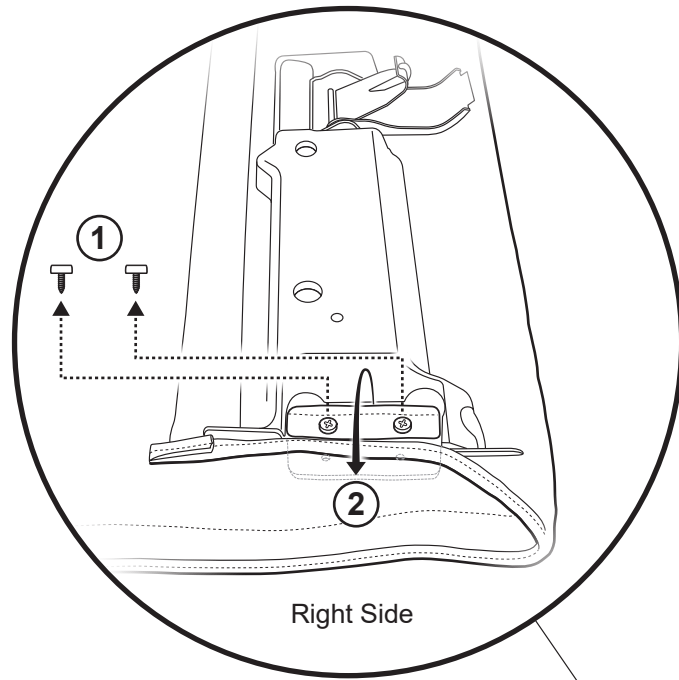
Locate the left and right Tailgate Bar Mounts. Each mount snaps onto the Jeep belt rail just outboard of the tailgate opening.

Snap each mount into place by hooking the inner catch portion of the mount under the belt rail on the inside, and then rolling the mount downward until it snaps into place under the bottom edge of the outside belt rail.



## Step 1

## Hardware



## Step 1

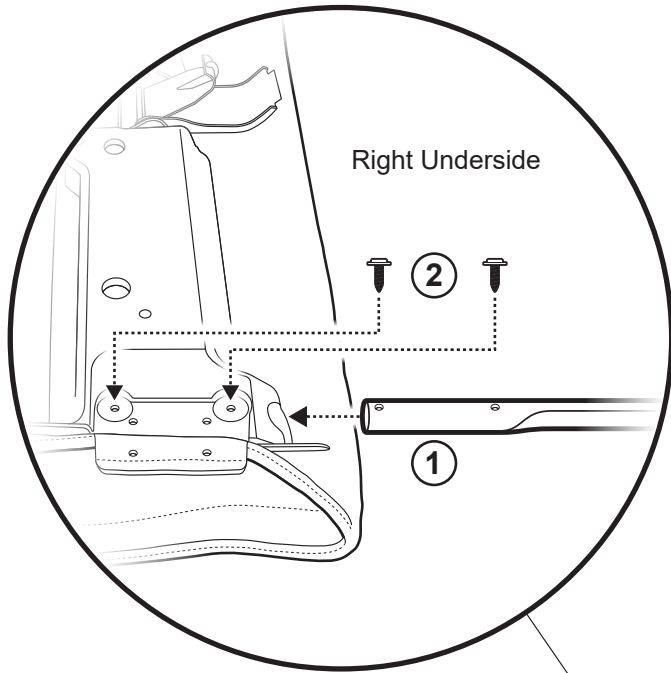
Lay the Header/Fabric Assembly out with inside of fabric facing up. You may want to use the shipping box to keep the fabric off the ground.

Remove and set aside the two screws holding the protective flap down on the inside of the header. Fold the protective flap back to expose the screw holes used for attaching the Right Side Bow.

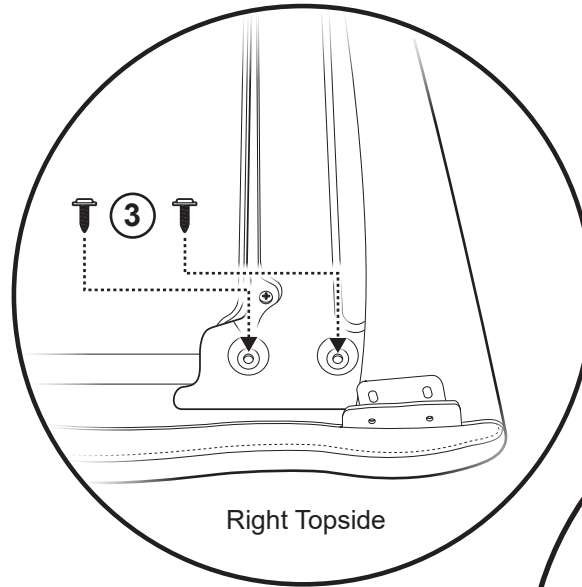
Repeat on left side of Header/Fabric Assembly.



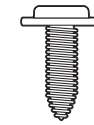
**Step 2**



**Step 2**

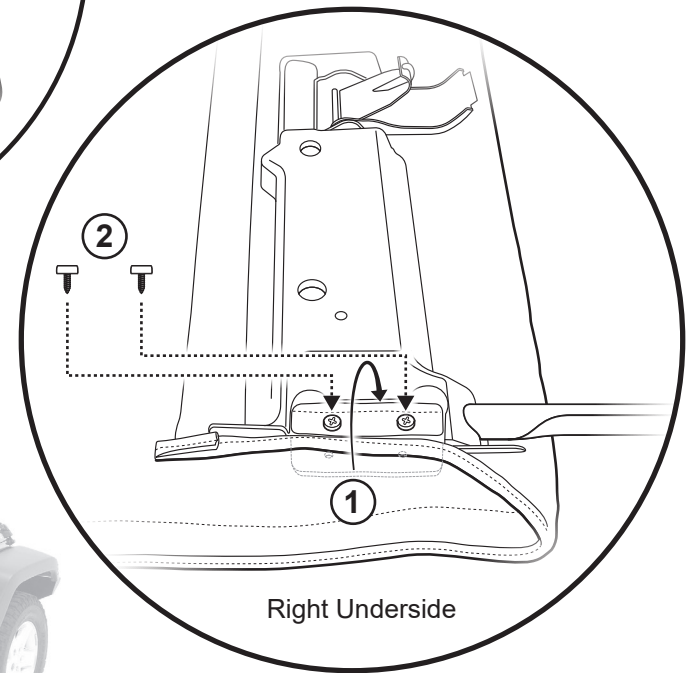


**Hardware**



Pan Head  
Washer Screw  
Qty. 4 per side  
Part # 393.79

**Step 3**



**Step 2**

Insert the end of the Right Side Bow into the hole in the right side of the Header/Fabric Assembly, aligning the two holes in the tubing with the two holes in the header. Make sure that the #2 Bow Bracket faces in. Secure the Right Side Bow in place with (4) #8 x 1/2" Pan Head Washer Screws: two from the underside of the Header/Fabric assembly, and two from the topside.

Repeat on left side, using Left Side Bow.



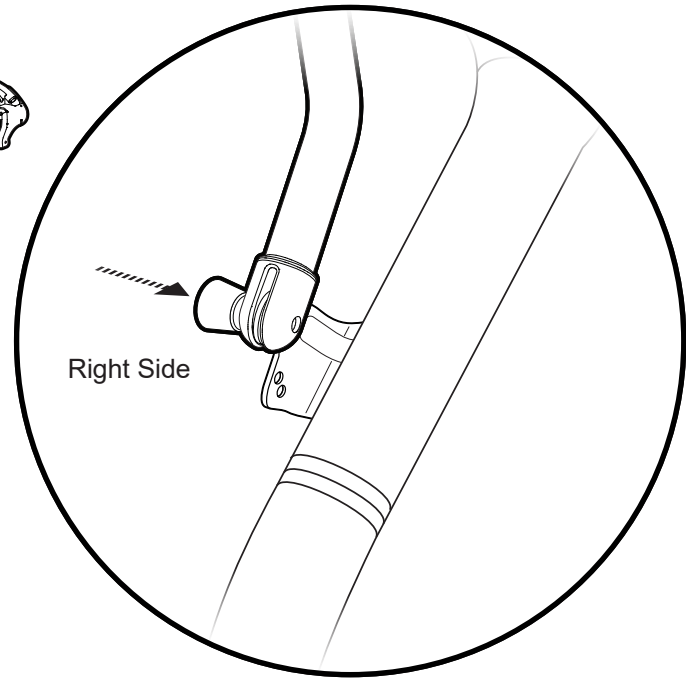
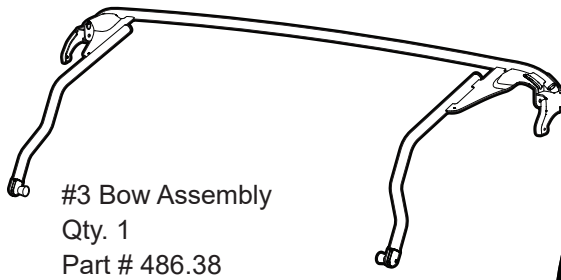
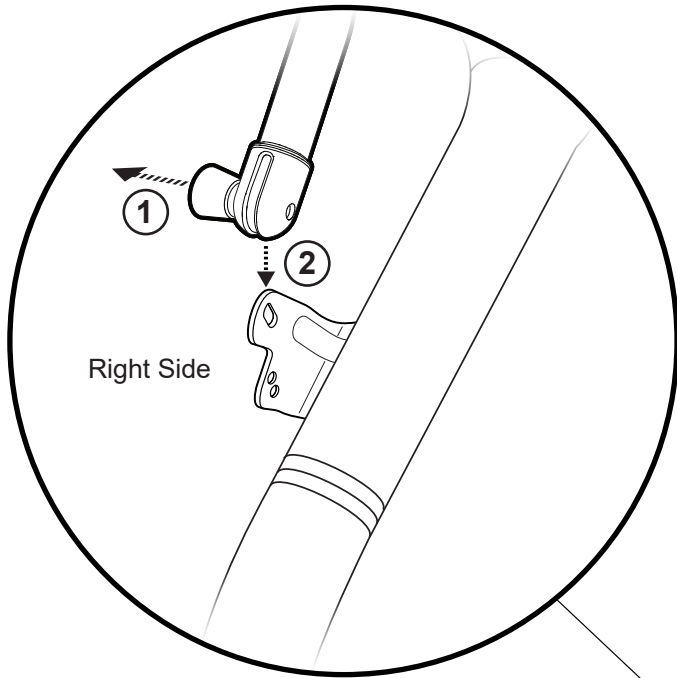
**Step 3**

Replace the protective flaps on both sides, and re-insert the screws you set aside, two for each side.

Step 1

Hardware

Step 2



Step 1

Locate the #3 Bow Assembly. Release the spring-loaded catch at the end of each bow leg by pulling out on the knob.

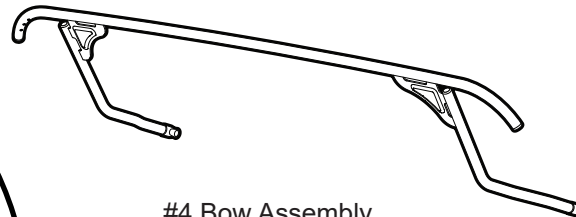
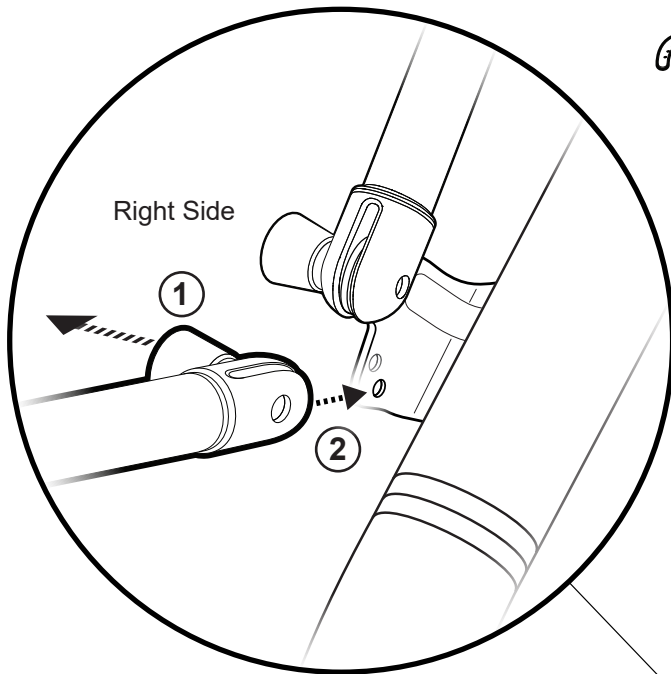
Slide the slotted end of the catch over the top portion of the Bow Mount Bracket, so that it snaps into place in the top slotted hole in the Bow Mount Bracket.



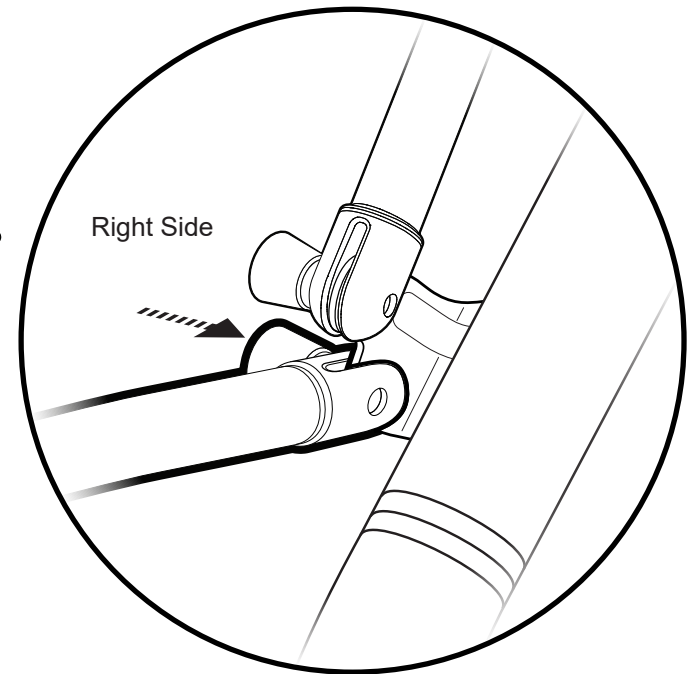
Step 1

Hardware

Step 2



#4 Bow Assembly  
Qty. 1  
Part # 486.39



Step 1

Locate the #4 Bow Assembly. Release the spring-loaded catch at the end of each bow leg by pulling out on the knob.

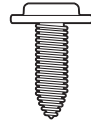
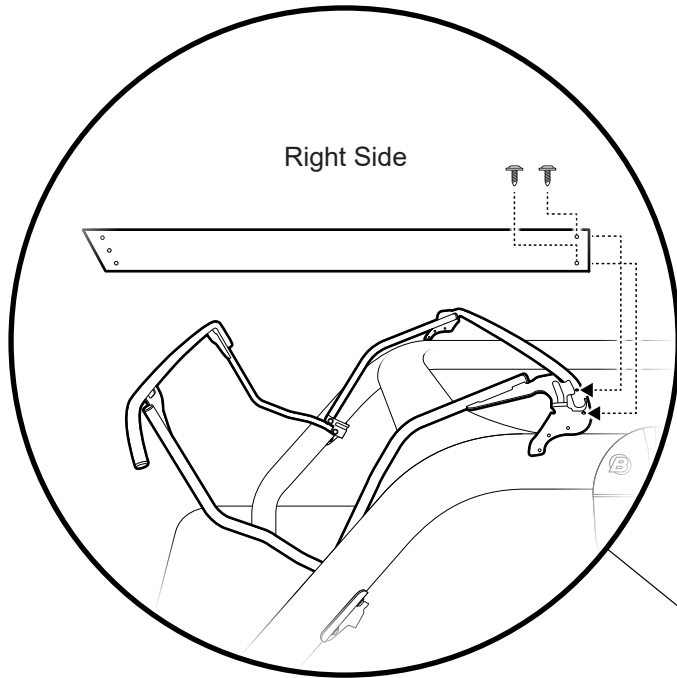
Slide the slotted end of the catch over the lower portion of the Bow Mount Bracket, so that it snaps into place in the bottom hole in the Bow Mount Bracket.



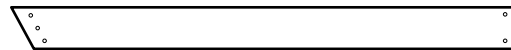
**Step 1**

**Hardware**

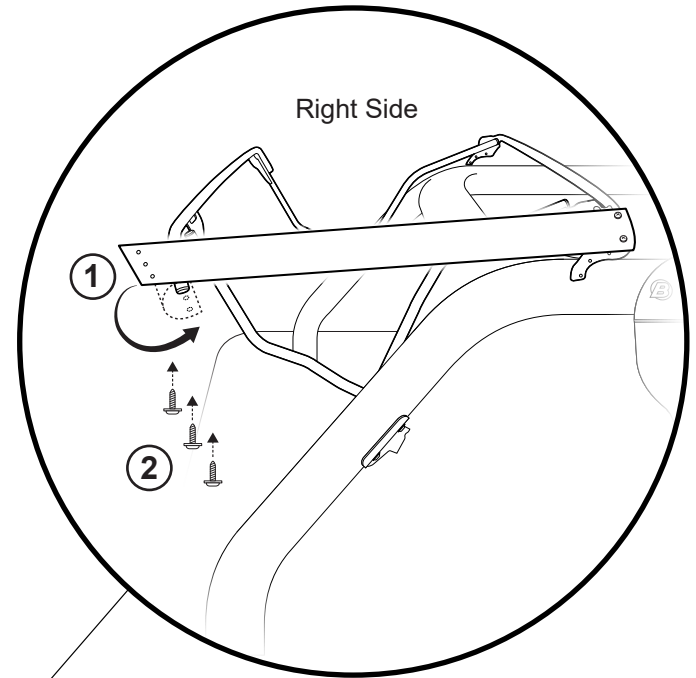
**Step 2**



Pan Head Washer Screw  
Qty. 5 per side  
Part # 393.79



Stay Strap  
Qty. 1 per side  
Part # 456.32



**Step 1**

Position Stay Strap as shown, with square-cut end at front. Attach the Stay Strap to the top of the right side of the #3 Bow, using (2) #8 x 1/2" Pan Head Washer Screws, and the pre-drilled holes in the #3 Bow.

Repeat for left side Stay Strap.



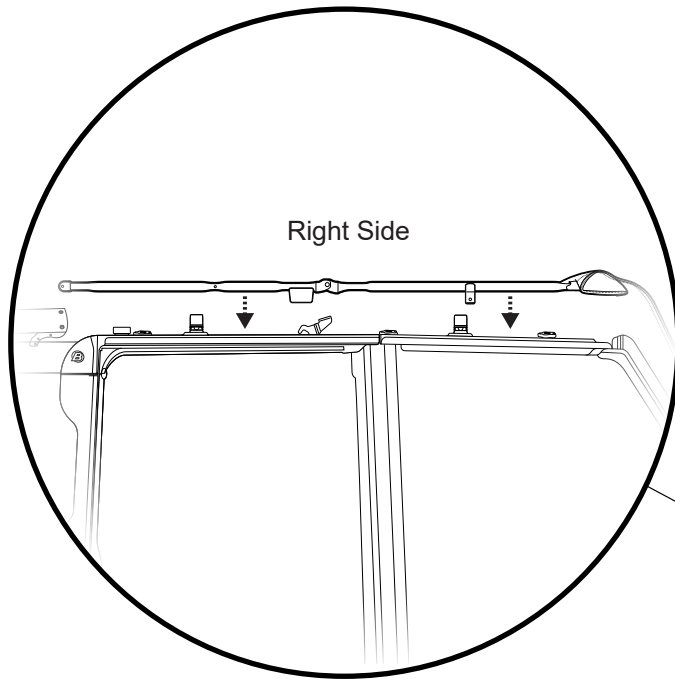
**Step 2**

Lift up the #4 Bow, and wrap the angled-cut end of the Stay Strap around the end of the #4 Bow. Wrap the Stay Strap over the top of the tubing, and fasten it on the underside of the tubing, using (3) #8 x 1/2" Pan Head Washer Screws, and the pre-drilled holes on the underside of the #4 Bow.

Repeat for left side Stay Strap.



**Step 1**



**Step 1**

Lift fabric and Header Assembly onto top of Jeep, with Header sitting on top of Jeep windshield, and fabric draped forward over Jeep hood.

You may want to protect the finish of the Jeep by putting a blanket across the Jeep hood.

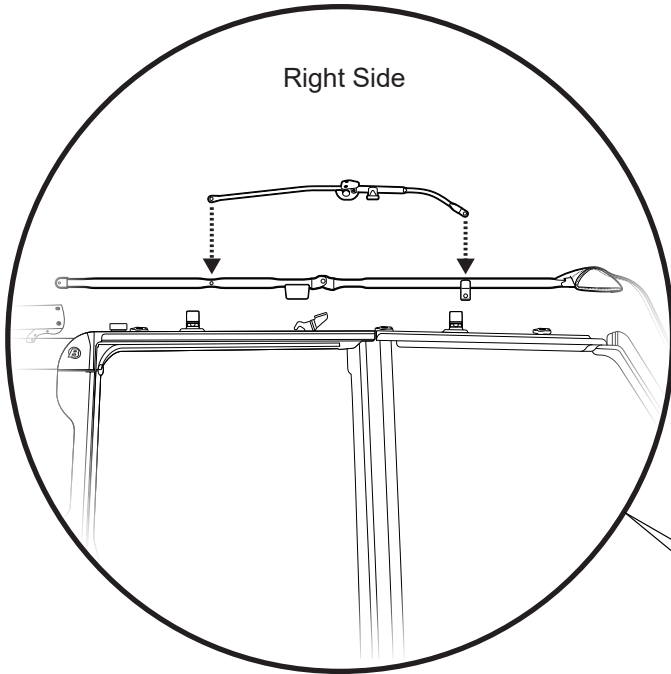
Extend the Side Bows out straight and lay the Side Bows on top of the Door Rails.



**Step 1**

**Hardware**

**Step 2**



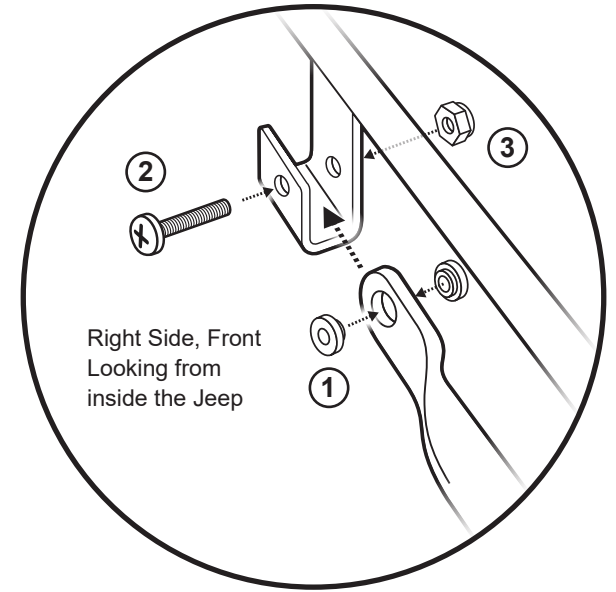
#2 Bow Assembly  
Qty. 1  
Part # 455.46

M5 x 16 Screw  
Qty. 1 per side  
Part # 459.45

Plastic Bushing  
Qty. 4 per side  
Part # 473.40

M5 Nylock Nut  
Qty. 2 per side  
Part # 308.62

M5 x 30 Screw  
Qty. 1 per side  
Part # 308.87



**Step 1**

Extend the legs of the #2 Bow and orient the front legs with the J-bracket on the front inside of each Side Bow.

**Step 2**

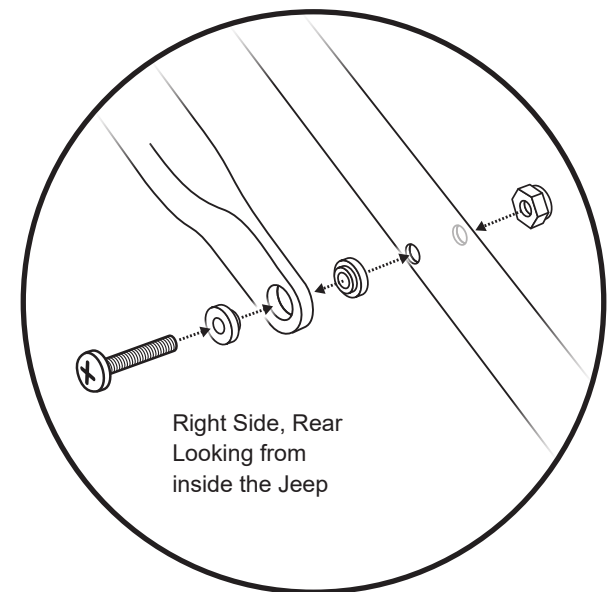
Attach the front legs to the Side Bows with (1) M5x16 Machine Screw, (2) bushings, and (1) M5 Nylock Nut per side.

**Step 3**

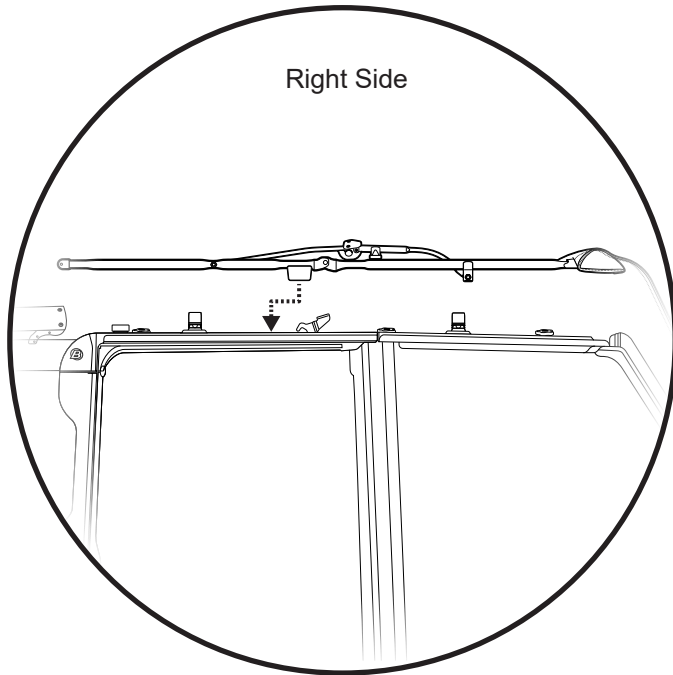
Attach the rear legs of the #2 Bow to the Side Bows using (1) M5x30 Machine Screw, (2) Bushings, and (1) M5 Nylock Nut per side.



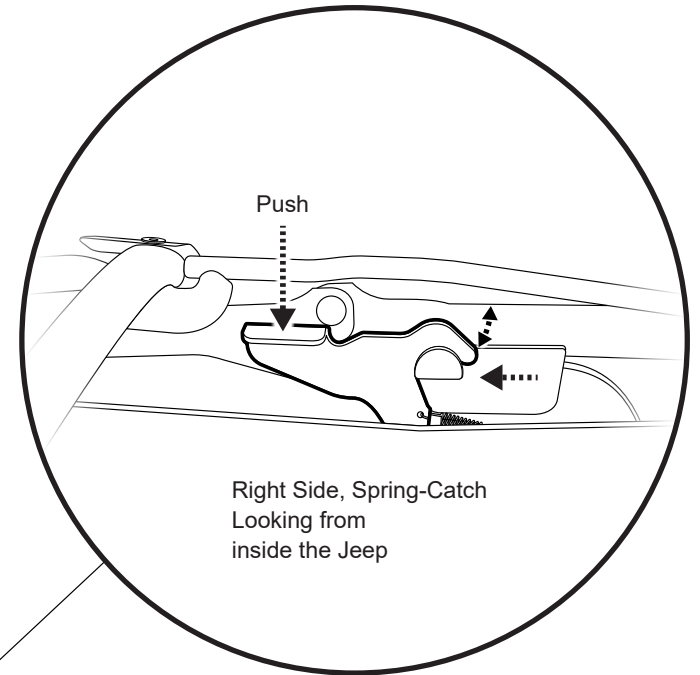
**Step 3**



**Step 1**



**Step 2**



**Step 1**

Align the Header-Bow Assembly in the tracks in the top of the Door Rails.

The plastic track guide on the Side Bow Assembly must be located to the rear of the spring-catch, and in position to slide forward over the vertical plastic rib in the top of the Rear Door Rail



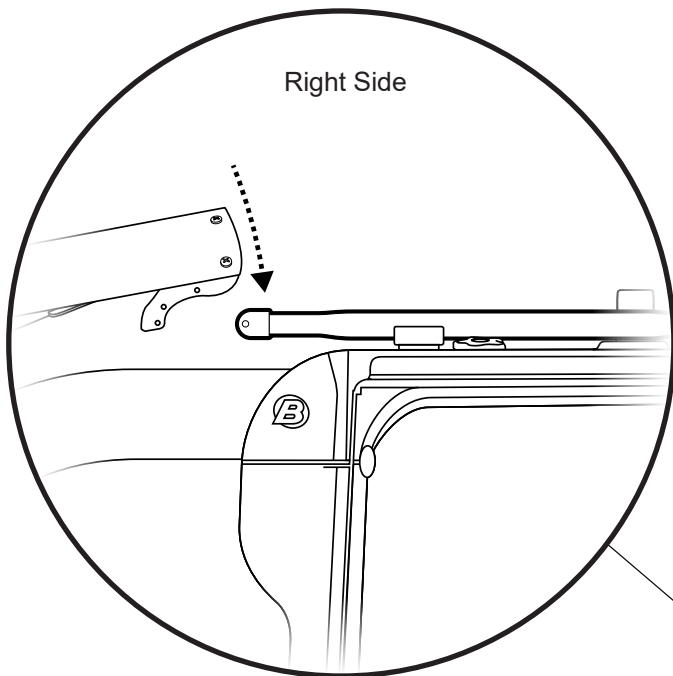
**Step 2**

Slide the whole Header/Side Bow Assembly forward in the tracks in the top of the Door Rails, until the button on the inside of each plastic track guide on the Side Bows slips under the spring-catch and latches in place.

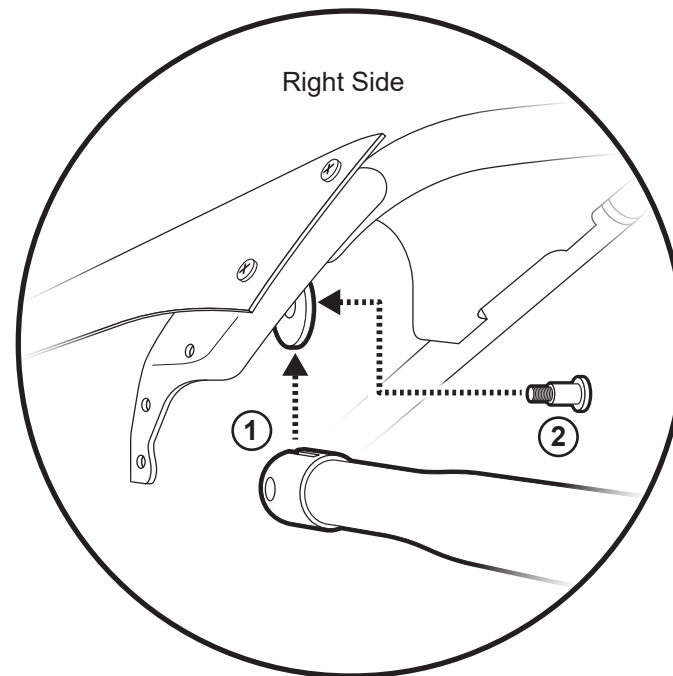
**Step 1**

**Hardware**

**Step 2**



Pivot Knuckle Screw  
Qty. 1 per side  
Part # 308.65



**Step 1**

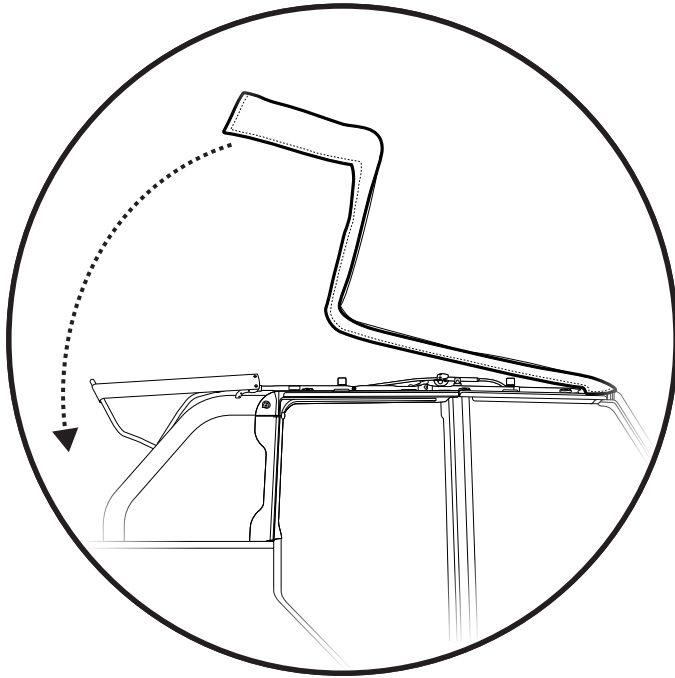
With the Header/Side Bow Assembly latched in place, pivot the #3 Bow forward, and slide the slotted portion of each pivot knuckle over the flange on the bottom of each #3 Bow corner plate, so that the hole in the flange and the hole in the pivot knuckle are aligned.



**Step 2**

Fasten the pivot knuckle on the end of each back leg of the Header/Side Bow Assembly to the flange on the underside of each #3 Bow corner plate, using (1) Pivot Knuckle Screw per side.

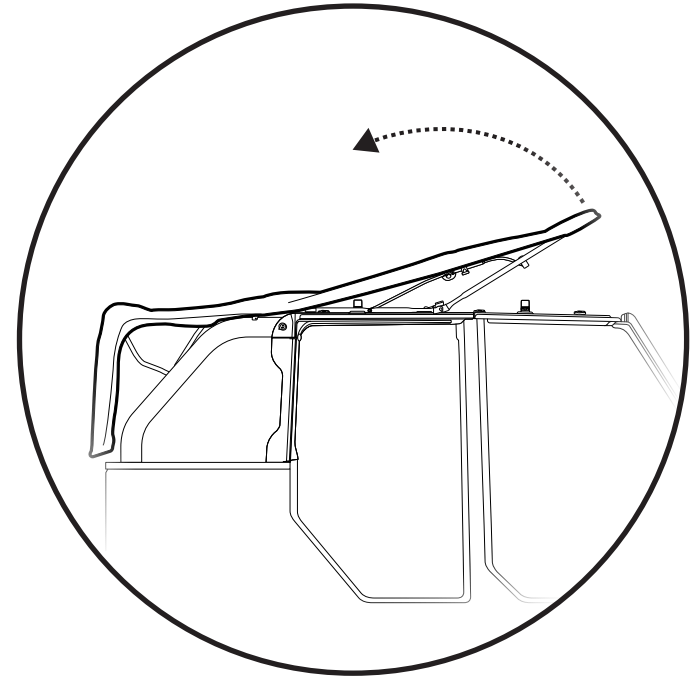
**Step 1**



**Step 1**

Lift up the fabric and drape it back over the top of the Jeep, pulling it over the top of the extended #3 Bow and Stay Strap connecting to the #4 Bow.

**Step 2**



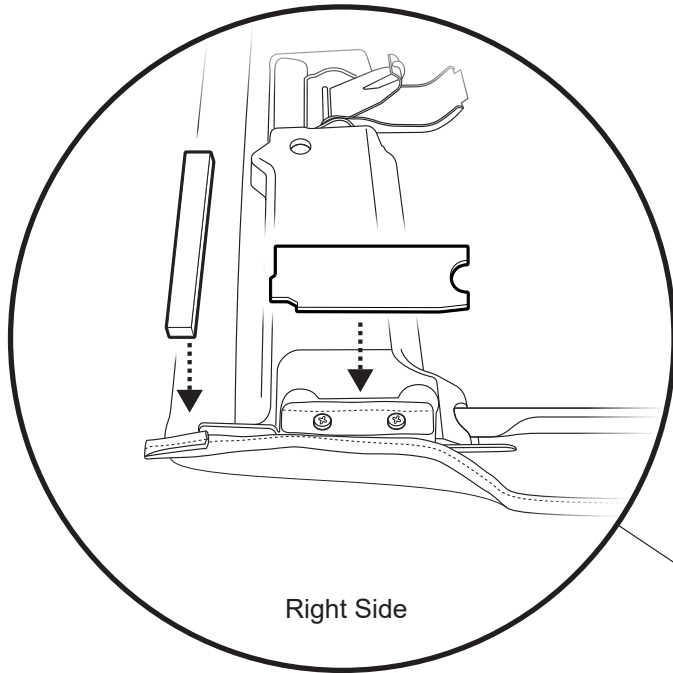
**Step 2**

Fold the top back from the front pivot point, resting the front portion of the top on the rear portion.



**Step 1**

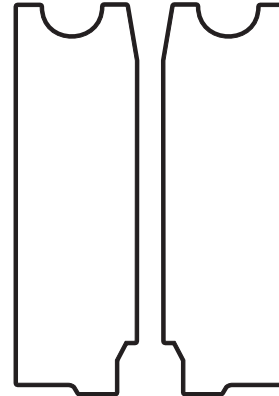
**Hardware**



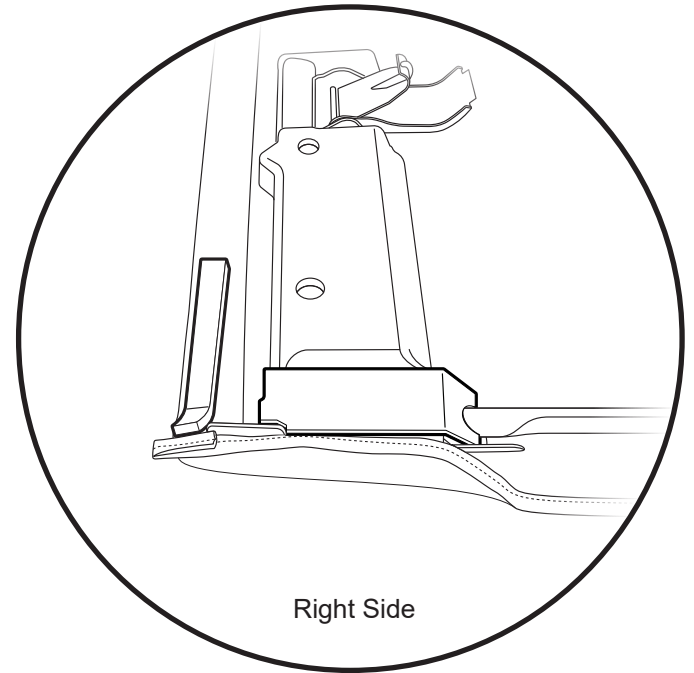
Right Side



Foam Tape Strips  
Qty. 2  
Part # 417.43



Foam Seals  
Qty. 1 per side  
Parts # 457.77(L)  
& #457.76(R)



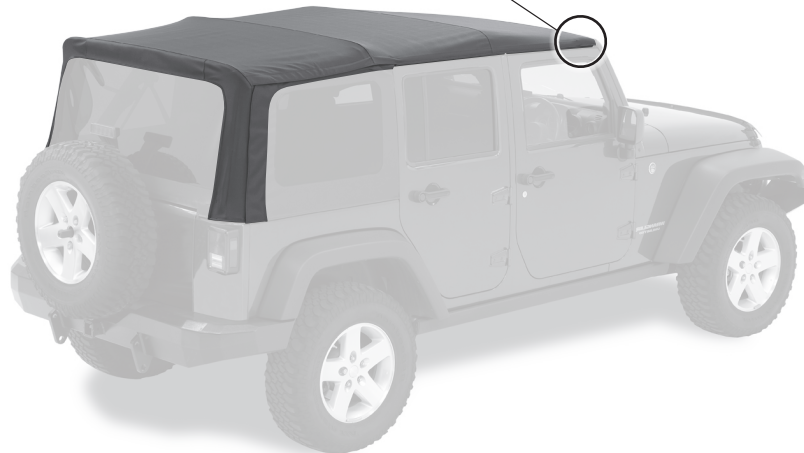
Right Side

**Step 1**

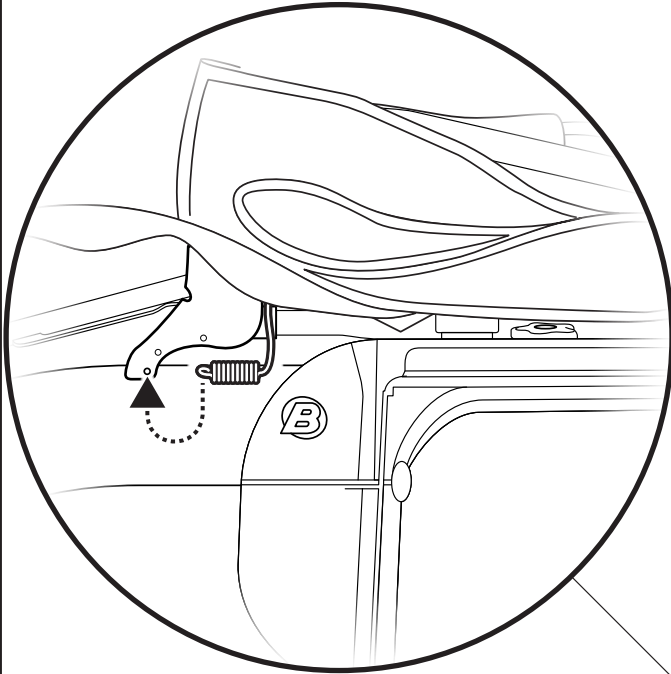
With the front portion of the top folded back, locate the (2) Foam Seals and the (2) Foam Tape strips. Remove protective liner from the back side of the Foam Seal and place the Foam Seal in the location shown in the diagram.

Remove protective liner from the back side of the Foam Tape Strip and place the Foam Tape Strip in the location shown in the diagram.

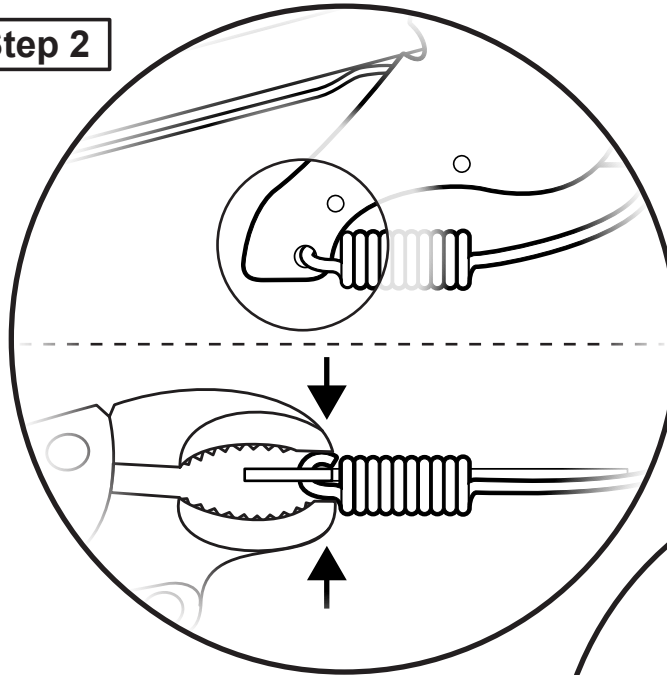
Repeat for the left side.



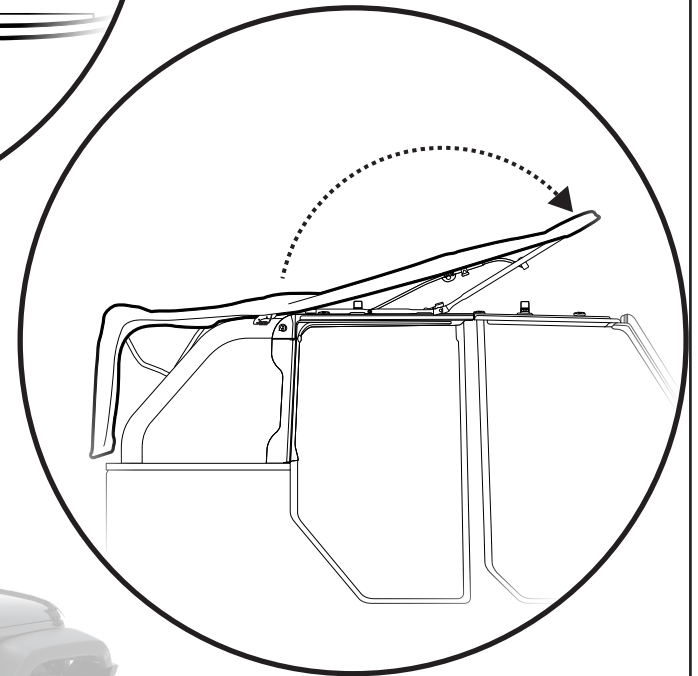
**Step 1**



**Step 2**



**Step 3**



**Step 1**

Attach the free end of the Cable Spring to the bottom hole in the #3 Bow corner plate, just behind the Rear Door Rail.

Repeat on left side.

**Step 2**

Crimp the end of the spring where it passes through the hole in the corner plate, to prevent it from coming loose.

Repeat on left side.

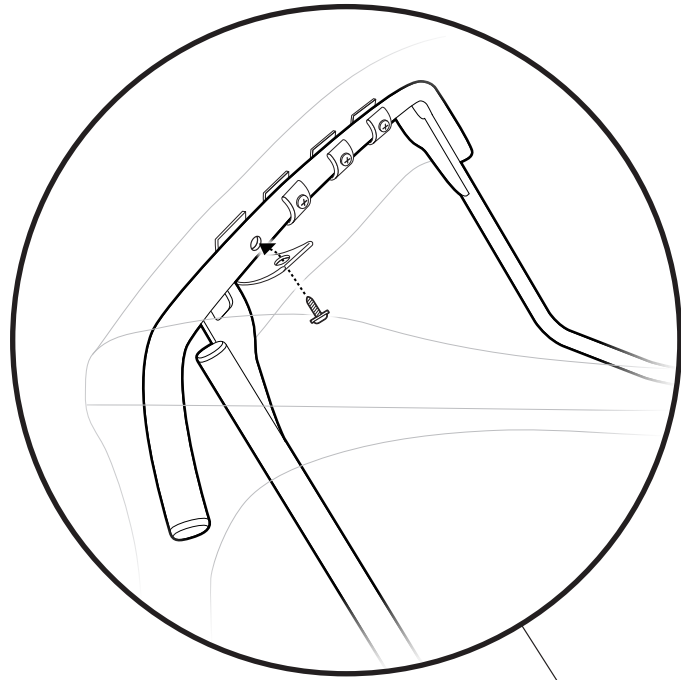


**Step 3**

Fold the front portion of the top back toward the closed position, letting it stop in a partially open position.

**Step 1**

**Hardware**



Pan Head  
Washer Screw  
Qty. 4  
Part # 393.79

**Step 1**

From inside the Jeep, wrap the 4 fabric flaps at the rear of the top around the #4 Bow from underneath, and secure to the #4 Bow, using (4) #8x1/2" Pan Head Washer Screws.



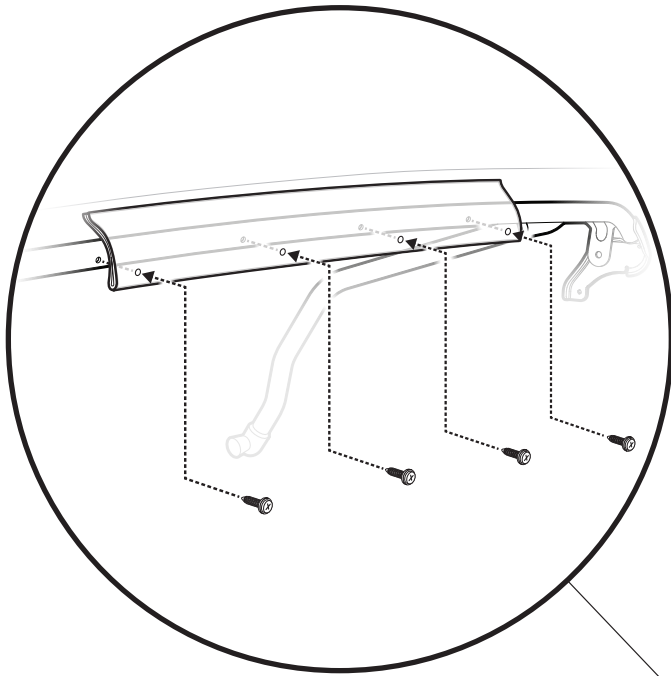


Step 1

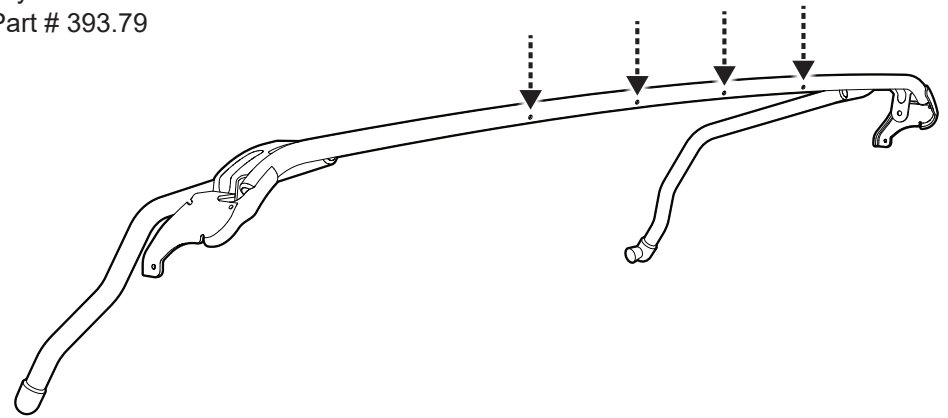
Hardware



Pan Head  
Washer Screw  
Qty. 4  
Part # 393.79



Pre-Drilled Holes  
on front-facing  
side of #3 Bow



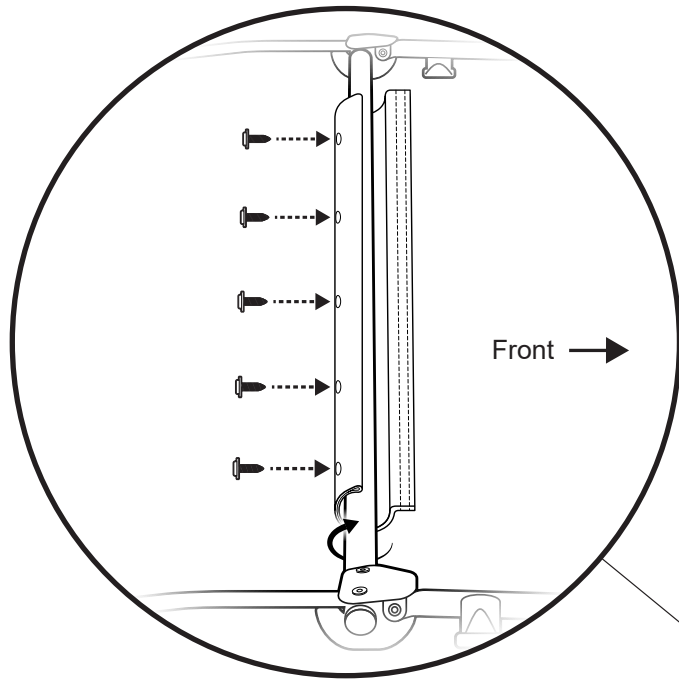
Step 1

From inside the Jeep, wrap the flap located above the #3 Bow over the front of the #3 Bow, and secure it, using (4) #8x1/2" Pan Head Washer Screws, in the pre-drilled holes in the front-facing side of the #3 Bow.

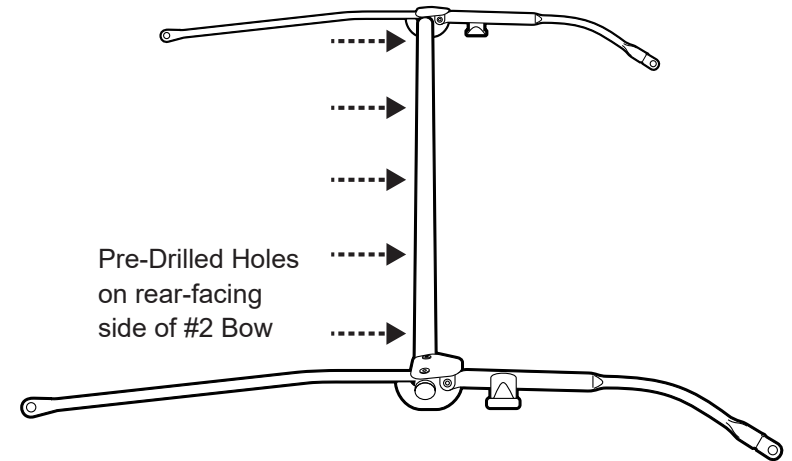


Step 1

Hardware



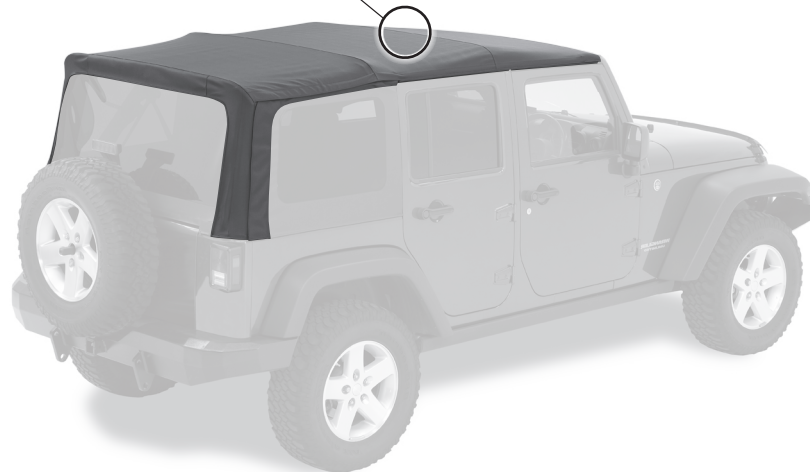
Pan Head  
Washer Screw  
Qty. 5  
Part # 393.79



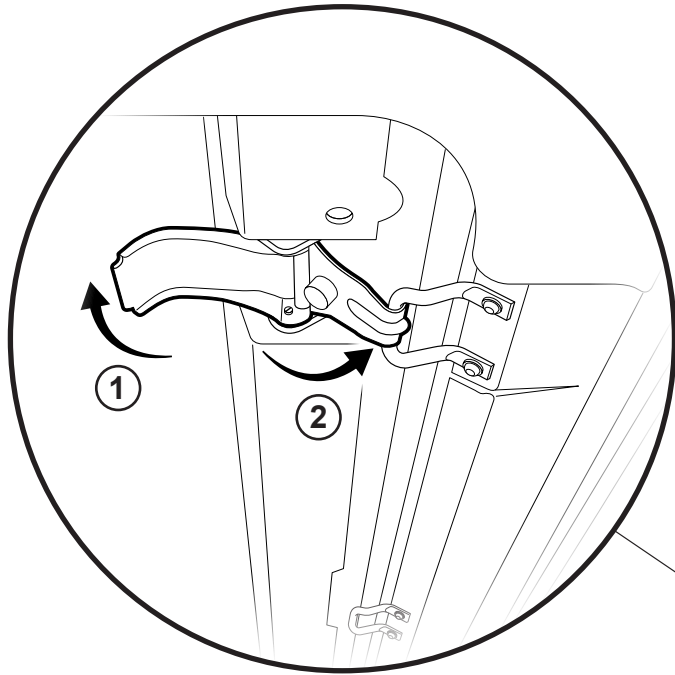
Pre-Drilled Holes  
on rear-facing  
side of #2 Bow

Step 1

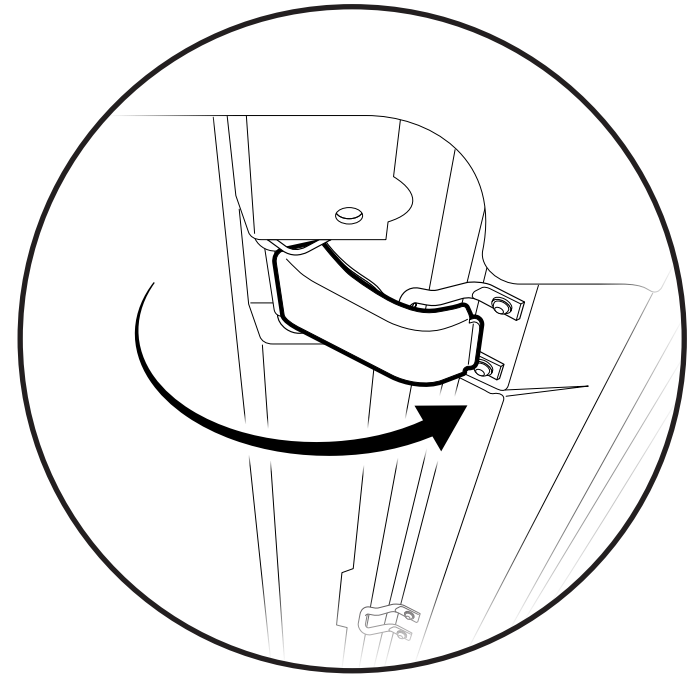
From inside the Jeep, wrap the flap located above the #2 Bow under the bottom of the #2 Bow, from front to back, and secure it, using (5) #8x1/2" Pan Head Washer Screws in the pre-drilled holes in the rear-facing side of the #2 Bow.



Step 1

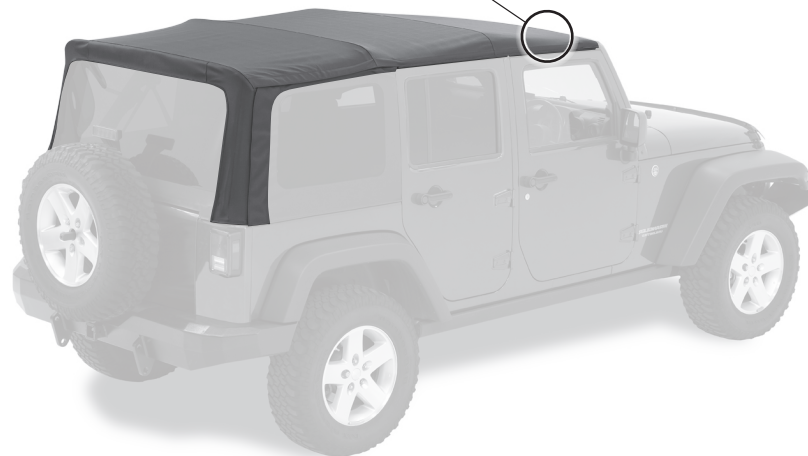


Step 2



Step 1

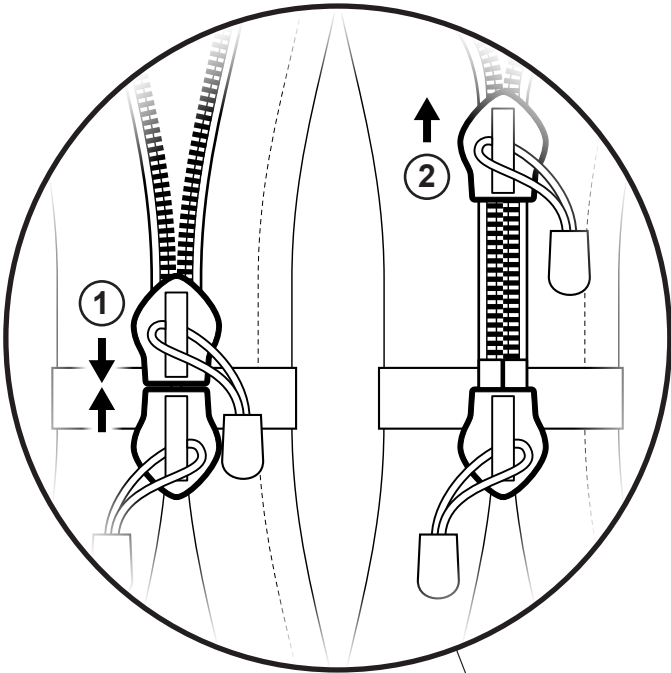
From inside the Jeep, locate the two Windshield Header Latches. To close the latch, pivot the latch handle to the completely open position to allow the hook to engage the windshield loop. Now pivot the hook forward to engage the windshield loop.



Step 2

When the hook is engaged with the windshield loop, close the latch by pivoting it forward toward the windshield.

Step 1



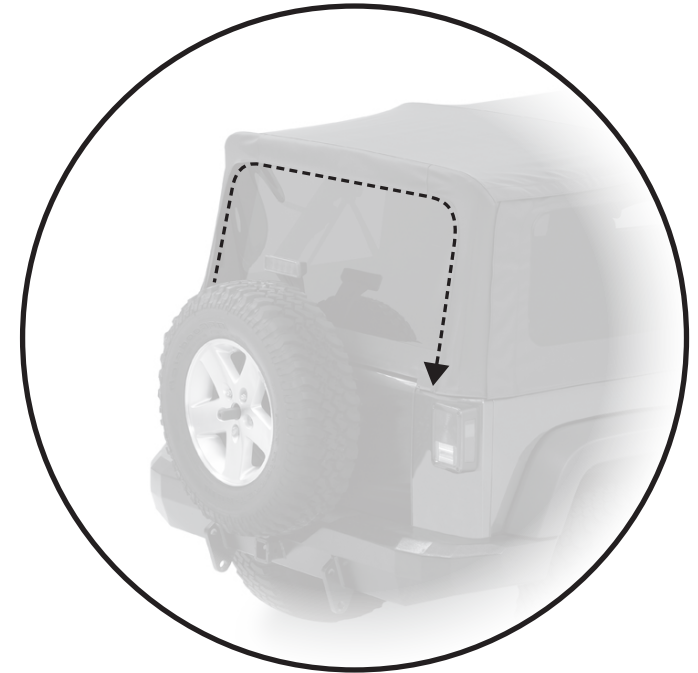
Step 1

Locate the Rear Window, and orient it so that the zipper pull is at the bottom left corner.

Make sure that the two zipper pulls are next to each other at the bottom left corner of the Rear Window.



Step 2



Step 2

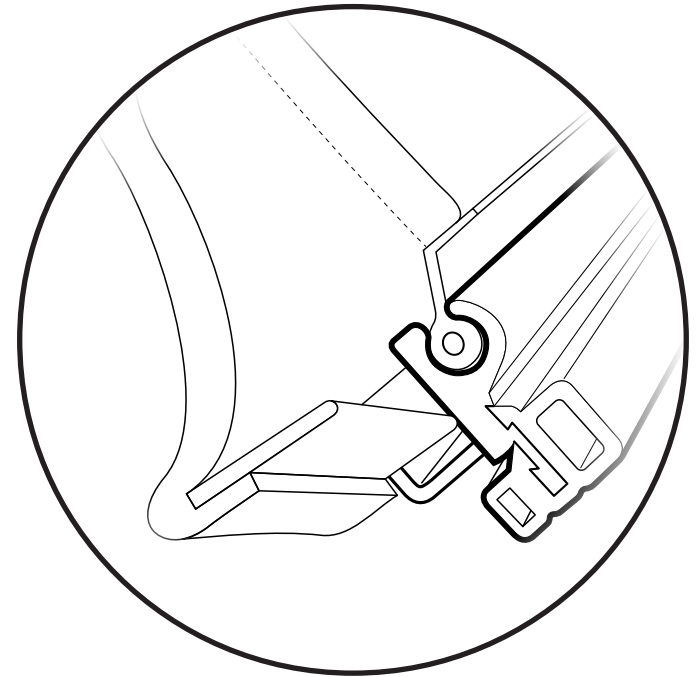
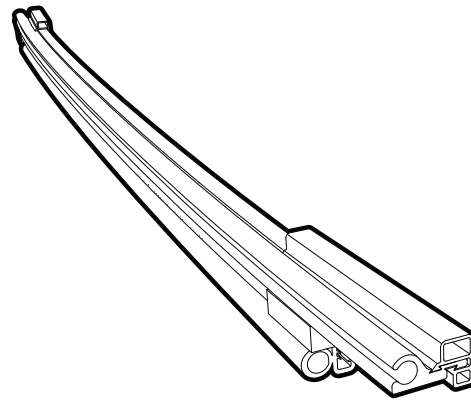
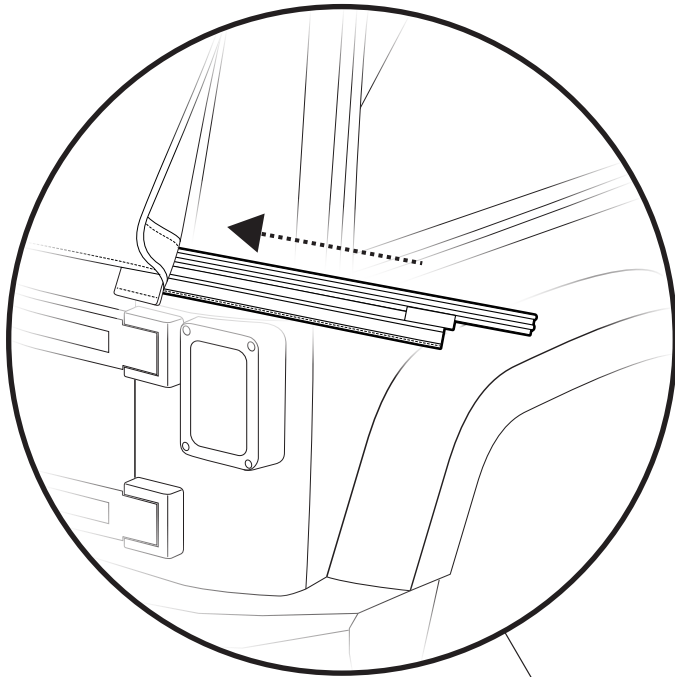
Zip the Rear Window into place by pulling the top zipper pull around the frame of the window, from the bottom left corner over to the bottom right corner.

**Step 1**

**Hardware**

**Step 2**

Tailgate Bar  
Qty. 1  
Part #489.46

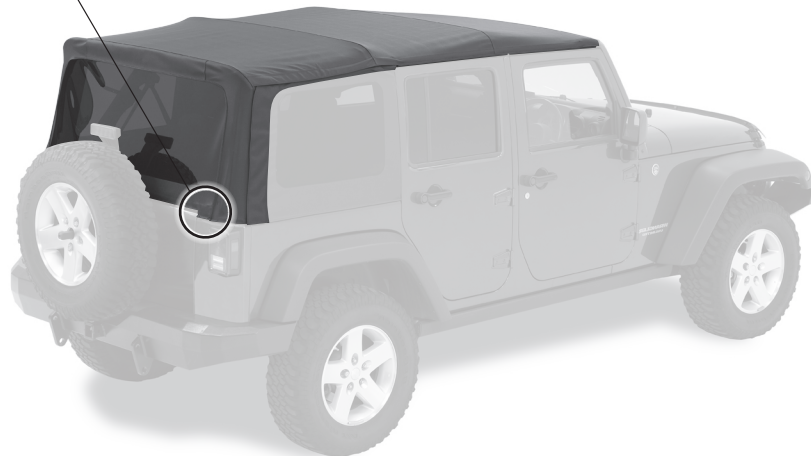


**Step 1**

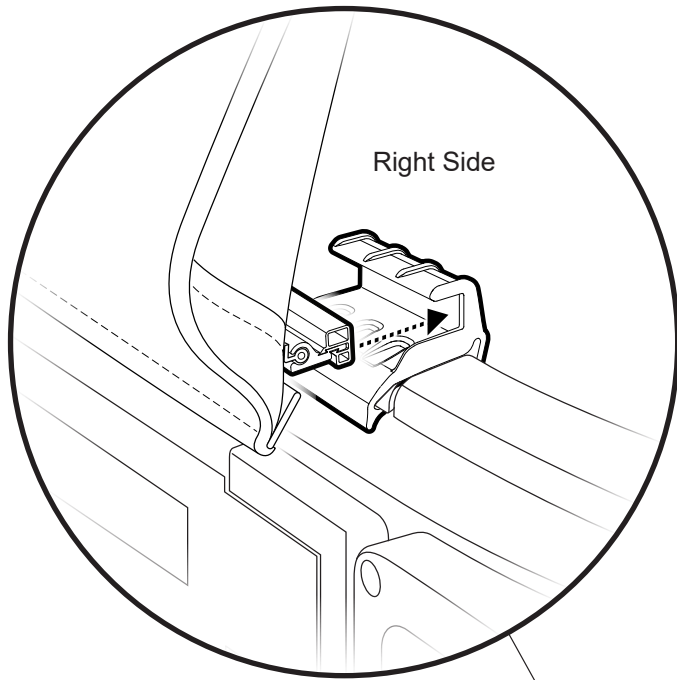
Locate the Tailgate Bar, and slide it onto the tubing attached to the bottom inside of the Rear Window.

**Step 2**

The round channel on the side of the Tailgate Bar slides over the tubing.



**Step 1**



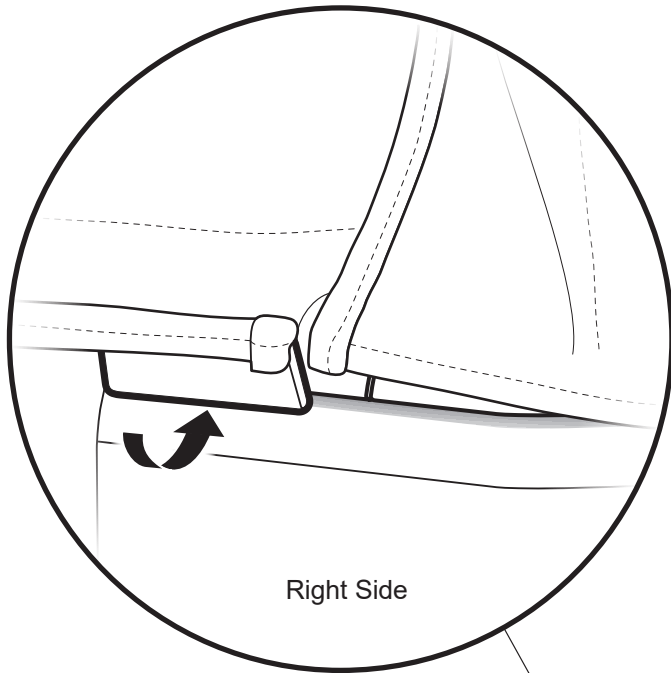
**Step 1**

Snap the front edge of the Tailgate Bar into the channel on the Tailgate Bar Mount.

Repeat for the left side.



**Step 1**



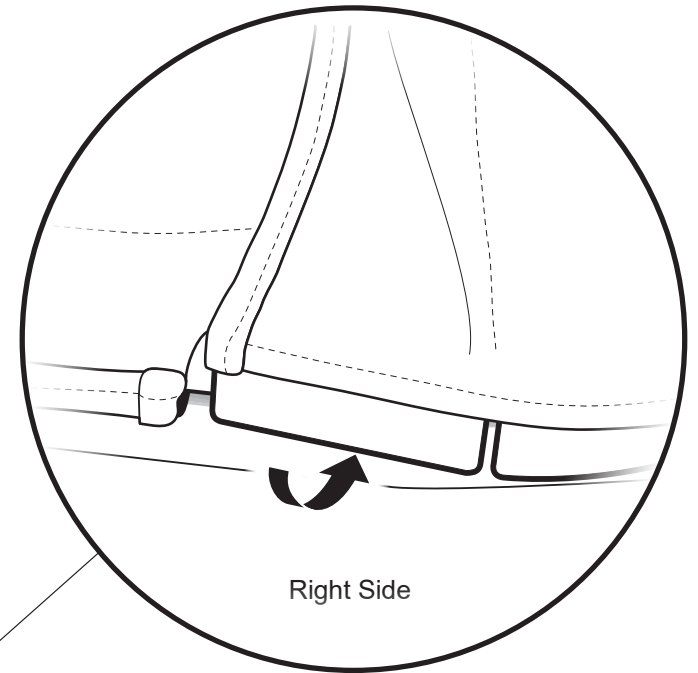
Right Side

**Step 1**

Tuck the plastic tab at the bottom right corner of the Rear Window under the Jeep belt rail, by rolling it up underneath the belt rail.

Repeat for the left side.

**Step 2**

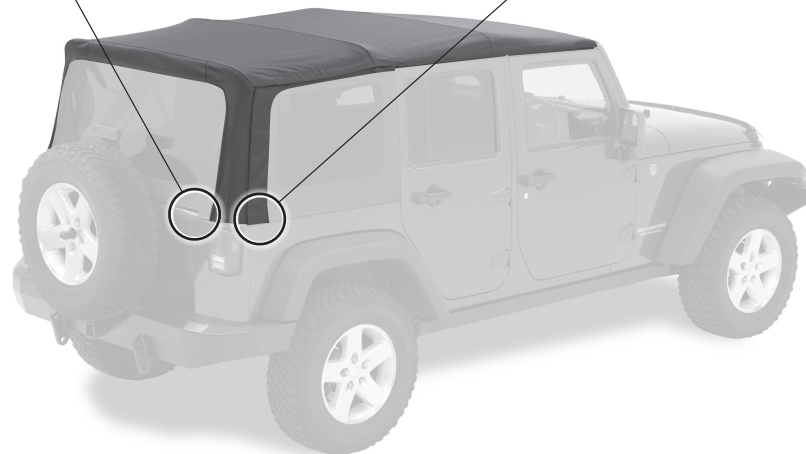


Right Side

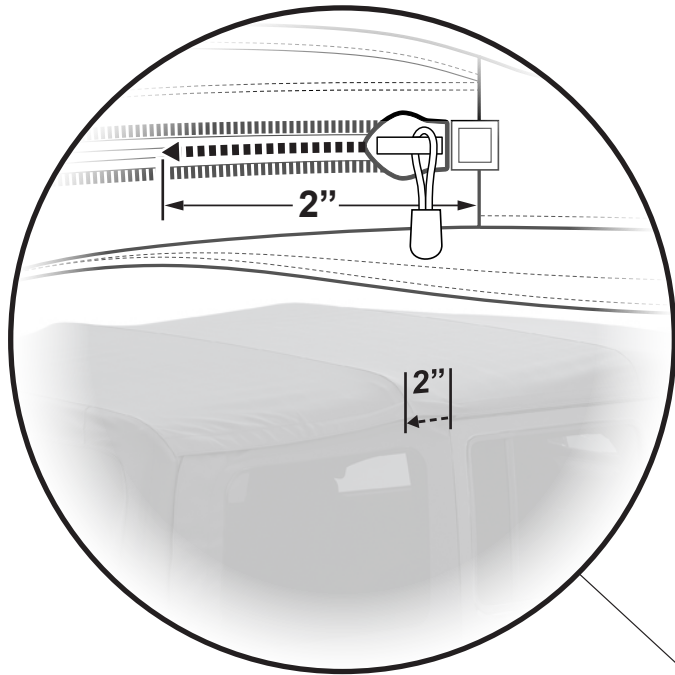
**Step 2**

Tuck the plastic tabs at the bottom right corner of the top under the Jeep belt rail, by rolling them up underneath the belt rail.

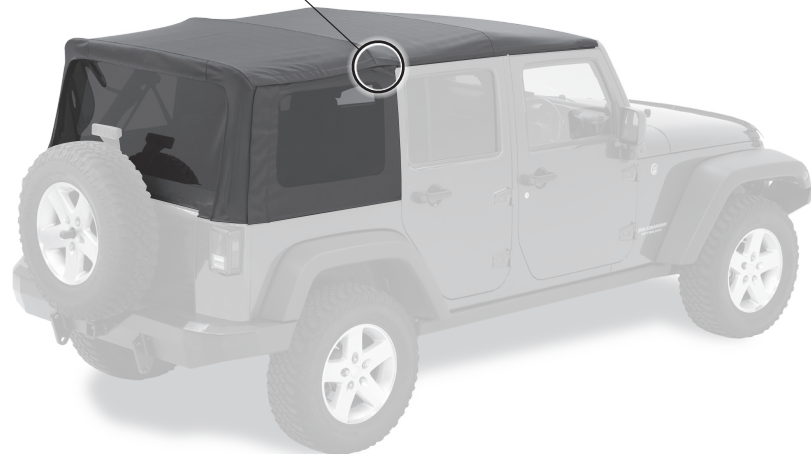
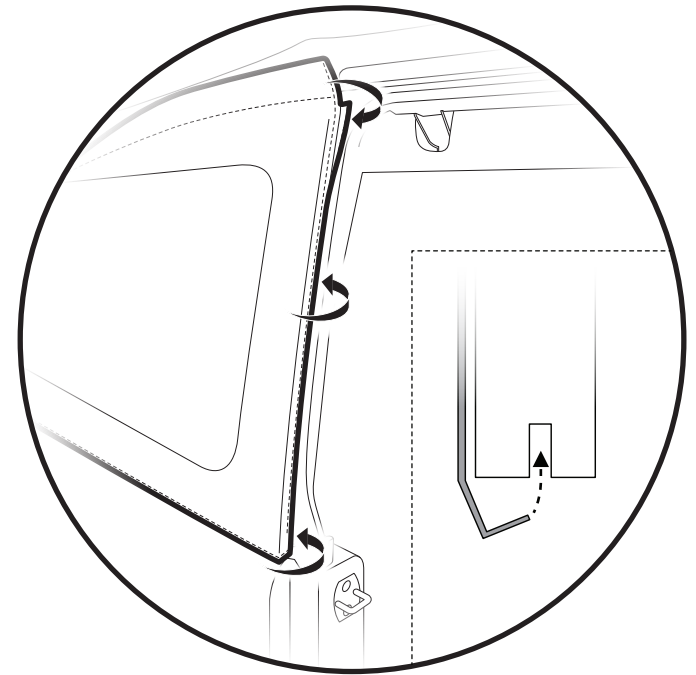
Repeat for the left side.



Step 1

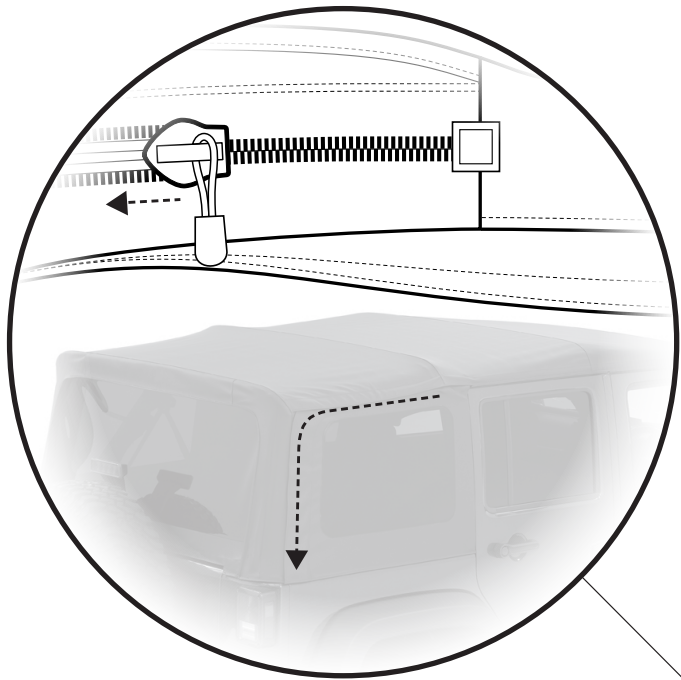


Step 2

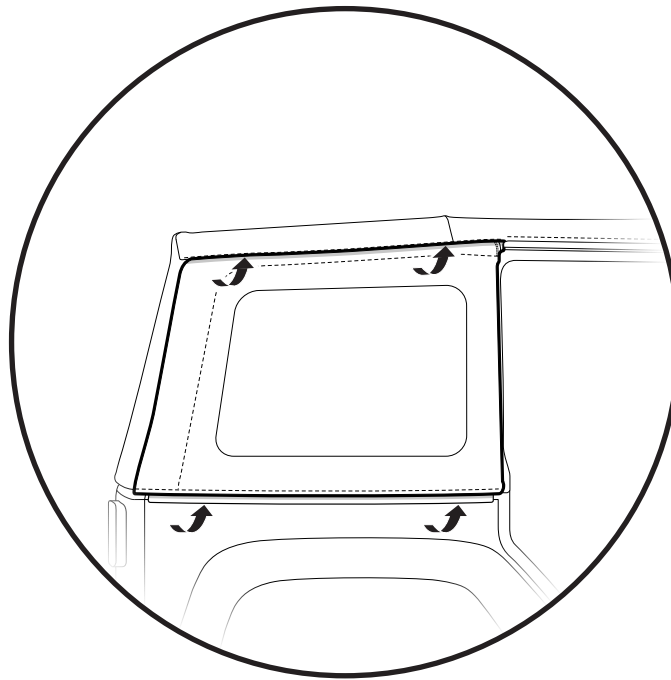




**Step 3**



**Step 4**



**WARNING**

When operating the vehicle without the Side Windows, remove the Rear Window for proper ventilation.



**AVERTISSEMENT**

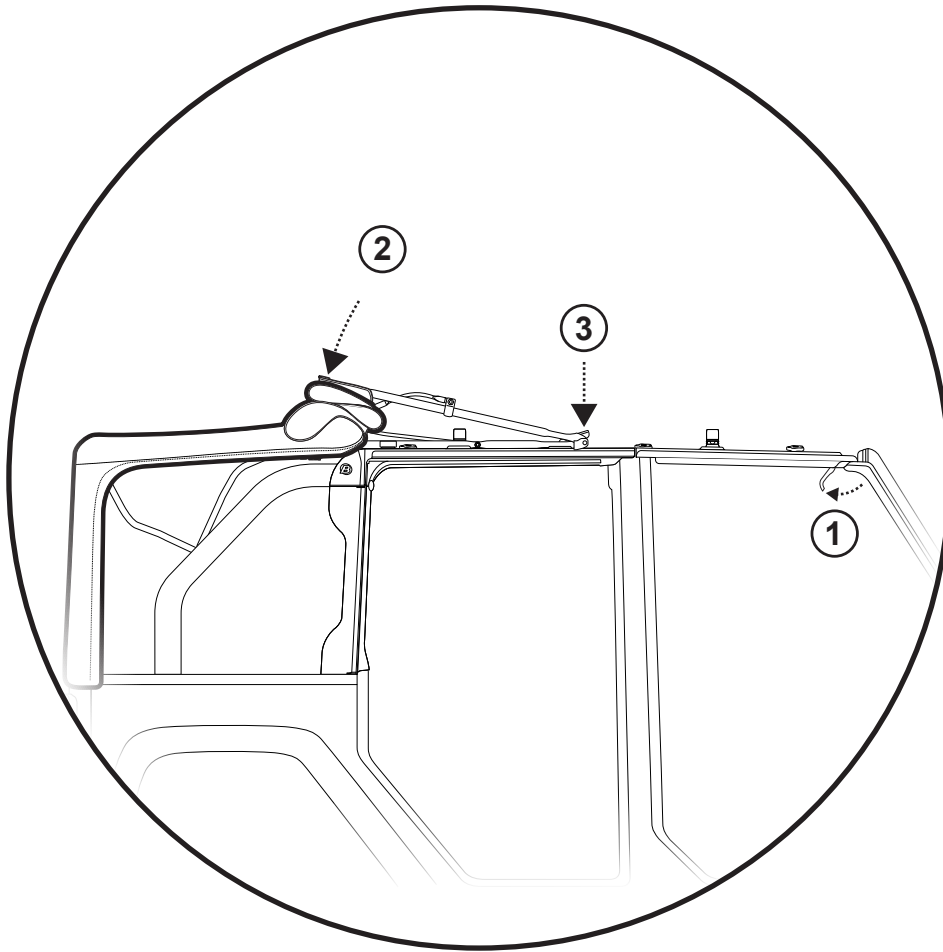
Retirez la vitre arrière afin d'obtenir une bonne ventilation si les vitres de custode ne sont pas utilisées alors que le véhicule fonctionne.



**ADVERTENCIA**

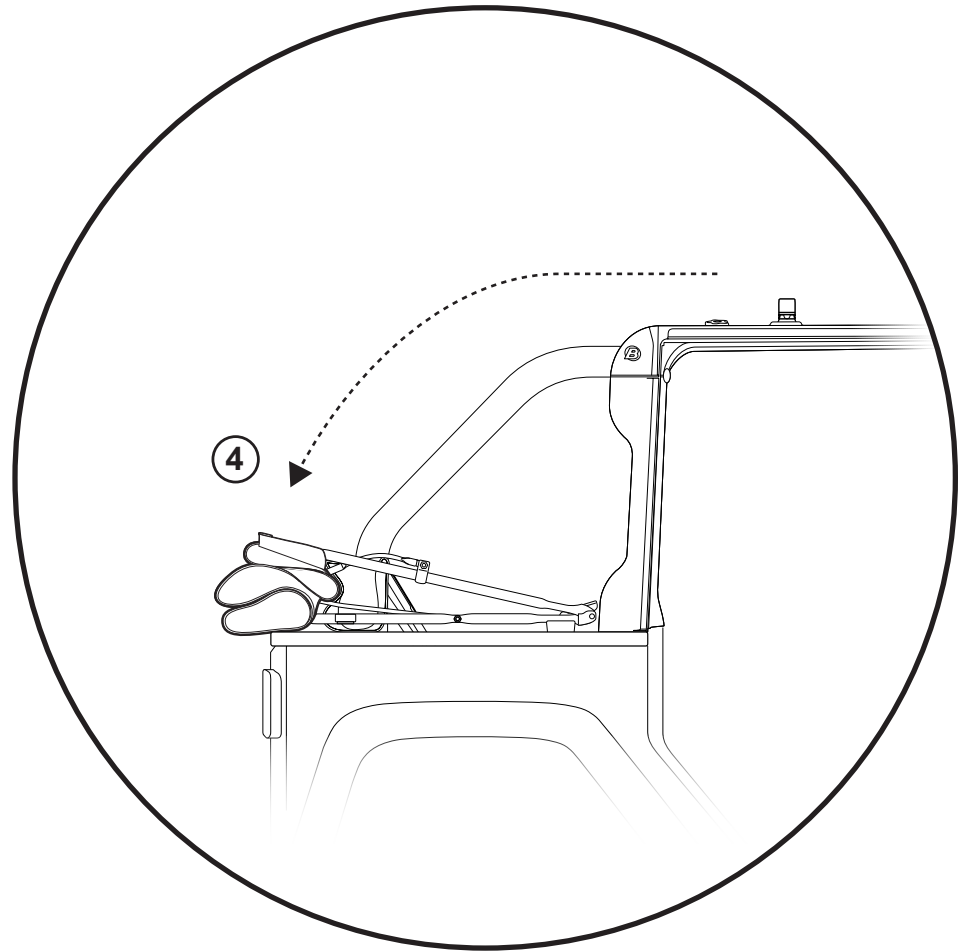
Cuando el vehículo funcione sin ventanas de los cuartos traseros, quite el medallón para asegurar la ventilación adecuada.

**Step 1**



Remove the Side Windows, and roll up the Rear Window. To roll up the Rear Window, remove the Tailgate Bar, unzip the sides of the window up to the top, and roll the window up from the bottom, being careful not to wrinkle it. Secure the rolled up window in place with the elastic straps at the top.

**Step 2**



Release the windshield latches. Fold the front header back, keeping the fabric folded neatly. Push down on the spring catch lever to release the side bows. Release the #3 and #4 Bows by pulling on the spring catch knobs.

Lift the fabric and bow assembly and swing it back to the rear of the Jeep, resting the entire assembly on the top edge of the Jeep belt rail. Wrap the fabric around the bows, and tuck the #3 and #4 Bows under the fabric. Tuck fabric in around the edges.



## Installation Instructions SUPERTOP NX Twill

Vehicle Application:  
Jeep® Wrangler JK Unlimited 2007-2018  
Part Number 54823

### Care and Maintenance of your Bestop Product

Your Bestop product is made of the finest materials available. To keep it looking new and for the maximum possible wear, it will need periodic cleaning and maintenance.

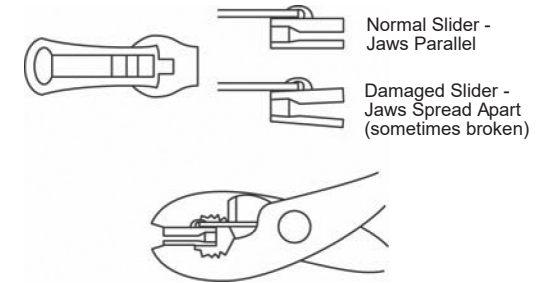
**Fabric:** The fabric should be washed often using soap, warm water and a soft bristle brush. Rinse with clear water to remove all traces of soap. Bestop recommends using Bestop Cleaner (part no. 11201-00) and Bestop Protectant (part no. 11202-00). Bestop Cleaner and Bestop protectant are specially formulated to provide a total cleaning and protection system. Bestop Cleaner safely removes the toughest stains, will not harm vehicle finishes, is biodegradable and environmentally friendly. Bestop Protectant protects against fading, cracking and hardening, and repels dust, grease, dirt and mildew.

**Windows:** Keep windows clean to avoid scratching. DO NOT use a brush on the windows! Wash with a water-soaked cloth or sponge and a mild dishwashing detergent. Bestop recommends Bestop Vinyl Window Cleaner (part no. 11203-00), which safely cleans and protects vinyl windows and helps prevent UV damage. NEVER WIPE THE WINDOWS WHEN THEY ARE DRY. Be careful when cleaning snow or frost from the vinyl windows since they are easily scratched and may crack at low temperatures. DO NOT roll the sides or rear window in cold weather. The windows become stiff and will crack. Cracks caused by misuse in cold temperatures are not covered under warranty.

**Zippers:** Keeping zippers cleaned and lubricated with Bestop's Zipper Cleaner (part no. 11206-00) will help prevent damage and keep the zippers in smooth working condition. If a zipper opens behind the slider, the slider may have been spread apart. This problem can usually be repaired by using an ordinary pair of pliers to bring the sides back into parallel. Return slider to the end of the zipper in the normal Open position. Squeeze lightly at first and test the zipper. If the zipper continues to remain open squeeze more firmly with the pliers and try the zipper again. Repeat this procedure until the zipper operates correctly.

**Water:** Seeping through at the seams may be stopped by applying 3-M Scotchgard® on the inside of the seams. Rips in the fabric may be repaired with Bondex® iron on patches. Iron the patches to the Inside of the top, carefully following the Bondex® instructions.

**Snaps:** Keep snaps cleaned and lubricated with silicone to help prevent snaps from sticking to the studs. If a snap does become stuck to a stud, use a screwdriver and GENTLY pry apart to prevent permanent damage to the snap or the top fabric.





## Installation Instructions SUPERTOP NX Twill

Vehicle Application:  
Jeep® Wrangler JK Unlimited 2007-2018  
Part Number 54823

### WHAT BESTOP WARRANTS

Subject to the terms and conditions of sale, including any terms and conditions set forth by Bestop, Inc. (“Bestop” or “us” or “we”) in our then-current terms of sale on our website (collectively, the “Terms”), Bestop represents and warrants that: the covered products listed in the “Covered Products and Warranty Periods” section (a “Product”) will substantially be free from defects in materials and workmanship for the specified warranty periods set forth in that section.

### THE WARRANTY IS LIMITED AND CONDITIONAL

This warranty applies to the original purchaser of the Product only. The warranty is valid only as long as the original retail purchaser owns the vehicle upon which the Product is installed. The warranty expires should the Product be removed from the original vehicle or if the original vehicle is transferred to another owner.

This warranty is not transferable or assignable. The warranty does not apply to Product bought from auction-style or price-bid websites.

THE LIMITED WARRANTY AND STATED REMEDIES ARE SOLE AND EXCLUSIVE AND IN LIEU OF ALL OTHER WARRANTIES AND REMEDIES, AND COMPANY EXPRESSLY DISCLAIMS ALL IMPLIED OR STATUTORY OR OTHER WARRANTIES, INCLUDING WITHOUT LIMITATIONS WARRANTIES OF MERCHANTABILITY, NON-INFRINGEMENT OR FITNESS FOR A PARTICULAR PURPOSE. IN NO EVENT WILL COMPANY BE LIABLE FOR ANY SPECIAL, INCIDENTAL, CONSEQUENTIAL, PUNITIVE, INDIRECT OR EXEMPLARY DAMAGES OF ANY KIND, INCLUDING LOST PROFITS OR REVENUE, HOWEVER CAUSED, WHETHER FOR BREACH OR REPUDIATION OF CONTRACT, TORT, BREACH OF WARRANTY, NEGLIGENCE, OR OTHERWISE, WHETHER OR NOT COMPANY WAS ADVISED OF THE POSSIBILITY OF SUCH LOSS OR DAMAGES.

*Some states do not allow exclusion or limitation, so this may not apply to you. This warranty gives you specific legal rights, and you may have other rights which vary from state to state.*

### EXCLUSIONS TO THE WARRANTY

The Limited Warranty excludes, and Bestop is not liable in any way for any warranty claims, damages, or defects related to:

- Misuse, abuse, accidents, vandalism, negligence, fire, or improper installation or modification, or improper or inadequate maintenance;
- Failure to comply with any Product documentation, Bestop instructions, or applicable law or regulations; use in extreme conditions
- Force Majeure including but not limited to, earthquake, hurricane, tornado, flooding, or other disasters natural or man-made, civil unrest, strikes, declared or undeclared war, or lack of performance by, or discontinued product of, supply chain partners whose products, software, operations or management is beyond the control of Bestop;
- Damage resulting in breakage (including without limitation, spontaneous breakage, accidental breakage or breakage by any other means) of a Product or any component part;
- Damage to vinyl windows due to misuse, or cracking due to varying weather conditions.

### YOUR SOLE REMEDY

During the applicable warranty period, Bestop shall, at its option, either repair or replace any Product that it confirms, in its discretion, is non-compliant with the warranties herein. Bestop will not pay for labor charges associated with installation or removal of the Product. Should a specific Product be discontinued, Bestop may, at its option, replace the discontinued Product with a current product or like product.

Please retain your proof of purchase. Original proof of purchase for the Product must accompany any warranty claim. If you have a warranty claim, first you must email Bestop Customer Service at [csbestop@bestop.com](mailto:csbestop@bestop.com) for instructions. All claims must be emailed to [csbestop@bestop.com](mailto:csbestop@bestop.com) within 30 days of discovery of a defective Product, but in no event later than thirty days after the end of the applicable Warranty Period (the “Warranty Notice Period”). Warranty claims made after the Warranty Notice Period are null and void and Bestop shall have no responsibility with respect to such claims.

THIS SECTION SETS FORTH BESTOP’S SOLE OBLIGATION & YOUR SOLE REMEDY WITH RESPECT TO ANY DEFECTS OR OTHER PRODUCT ISSUE. ANY PRODUCTS REPLACED UNDER TERMS OF THIS WARRANTY WILL BE COVERED UNDER TERMS & BALANCE OF THE DURATION OF THE ORIGINAL LIMITED WARRANTY FOR SUCH PRODUCT.



## Installation Instructions SUPERTOP NX Twill

Vehicle Application:  
Jeep® Wrangler JK Unlimited 2007-2018  
Part Number 54823

**COVERED PRODUCTS AND WARRANTY PERIODS:** The warranty time periods are as follows for Products manufactured by Bestop:

### **BESTOP® LIMITED LIFETIME WARRANTY**

Trektop® Pro Twill Fabric Top Sunrider® for Hardtop Twill Fabric Top  
Trektop® NX Glide Twill Fabric Top Replace-a-Top™ Twill Fabric Top  
Trektop® NX Twill Fabric Top Supertop® NX Twill Fabric Top  
EZFold™ Soft Tonneaus Floor & Cargo Liners  
ZipRail™ Soft Tonneaus Pet Barriers  
EZRoll™ Soft Tonneaus

### **BESTOP® 5-YEAR LIMITED WARRANTY**

Trektop® NX Glide™ Top (non-Twill) Sunrider® for Hardtop (non-Twill) Replace-a-Top™ Top (non-Twill) Trektop® NX Top (non-Twill)  
Sailcloth Replace-a-Top™ Supertop® NX Top (non-Twill)  
Tigertop™ and Halftop™ Supertop® Classic Soft Top Sunrider® Complete Soft Top Supertop® for Truck  
EZ Fold Hard Tonneau

### **BESTOP® 3-YEAR/100K MILES LIMITED WARRANTY**

Powerboard® & Powerboard® NX  
Trekstep®, Side Mount  
Trekstep®, Rear Mount

### **BESTOP® 3-YEAR LIMITED WARRANTY**

Pavement Ends Sprint Top

### **BESTOP® 2-YEAR LIMITED WARRANTY**

Trektop® Classic Soft Top  
RoughRider™ Soft Storage

### **BESTOP® 1-YEAR LIMITED WARRANTY**

All other Bestop® & Pavement Ends™ products not specified above.

**For further information or request for warranty work, please contact:**

**Bestop Inc. Customer Service**

**Toll-Free: (800)845-3567**

**E-mail: [customerservice@Bestop.com](mailto:customerservice@Bestop.com)**

**Website: [www.Bestop.com](http://www.Bestop.com)**