





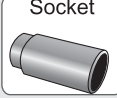


Installation Instructions Cable Bikini

Vehicle Application

- Jeep Wrangler JK (2 Door)
Fits 56822, 54722, 55010 Door Surrounds
2010-current OEM Softtop
Part Number: 52593

www.Bestop.com - We're here to help! Visit our web site and click on "[Ask a Question](#)". Click here for more [Jeep Accessories by Bestop](#).

INSTALLATION TIME	SKILL LEVEL
 1/2 Hour	 1 - Easy

TOOLS		
 Socket 10mm	 Ratchet	 Safety Glasses



This product requires 2010-Current OEM or Bestop Door Surrounds.


Installation Tips

Before you begin installing this assembly, read all instructions thoroughly.

For a smooth fit:

For ease in installation, the product should be installed at temperatures above 72° F. Below this temperature, the fabric may contract an inch or more, making it difficult to fit to the vehicle. It is normal for fabric to contract and wrinkle when stored in the shipping carton. Within a few days after the installation, the fabric will relax and the wrinkles will disappear.

 **CAUTION** Safety glasses should be worn at all times while installing this product.

 **WARNING** This product is designed primarily to enhance the appearance of the vehicle and to shield the occupants from ordinary weather conditions. Do not rely in any way on the components of this product to contain occupants within the vehicle, or to protect against injury or death in the event of an accident. This product will not protect the occupants from falling objects. Never operate the vehicle in excess of manufacturer's specifications.

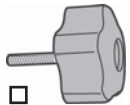
WEAR SEAT BELTS AT ALL TIMES

Read and follow, precisely, all installation instructions provided when installing product. Failure to do so may result in a poor fit and could place occupants of the vehicle in a potentially dangerous situation.

Cable Bikini – Installation Instructions

Parts List

Bikini	Qty - 1
Spring Tension Straps	Qty - 2
Spring Buckle Straps	Qty - 2
Center J-Hook Straps	Qty - 2



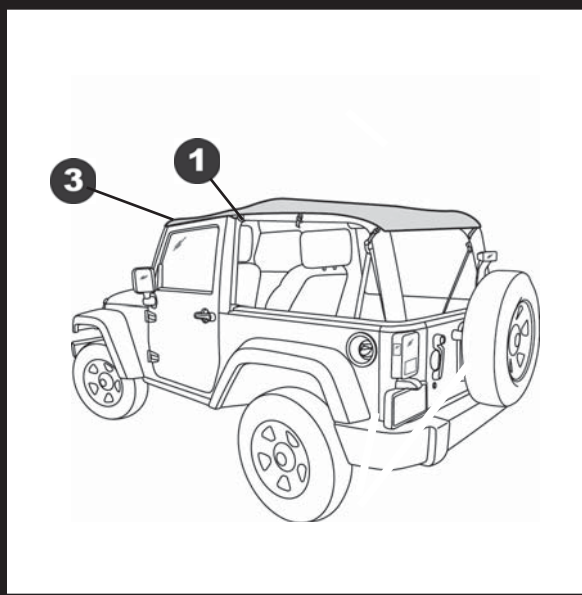
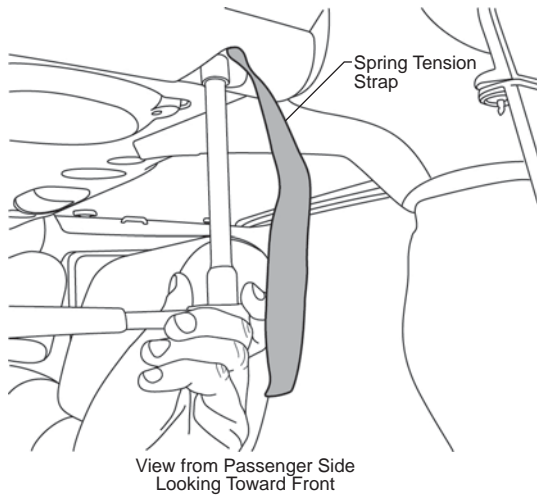
Header Knob, Part Number 440.55, Qty - 2



Header Knob Plate, Part Number 445.10, Qty - 2

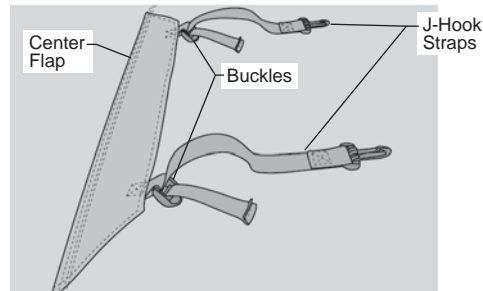
1 Install Spring Tension Straps

Use a 10mm socket to remove the front bolt from the outside of the sound bar where it attaches to the sport bar. Use the same bolt to secure a Spring Tension Strap to the sound bar in the same location on each side of the vehicle.



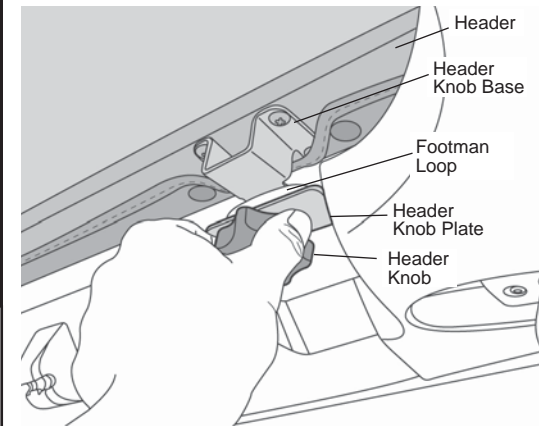
2 Install Center J-Hook Straps

Thread the end of one of the J-Hook Straps through one of the buckles on the center flap inside the Bikini. Repeat with the other J-Hook Strap.



3 Secure Header to Windshield

Center the Bikini on the vehicle. Place the tabs on the Header Knob Bases above the footman loops in the windshield frame. Place a Header Knob Plate under a footman loop. Install a Header Knob through the plate and footman loop and thread it into the Header Knob Base. Repeat this with both Header Knob Bases.



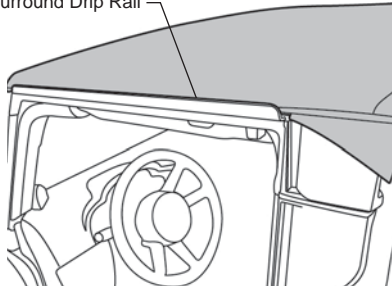
Cable Bikini – Installation Instructions

Aftermarket Door Surround

4 Drape Cable Bikini over Vehicle

Drape the Cable Bikini over the vehicle. Make sure that the Bikini cable lies inside the channel on the door surround.

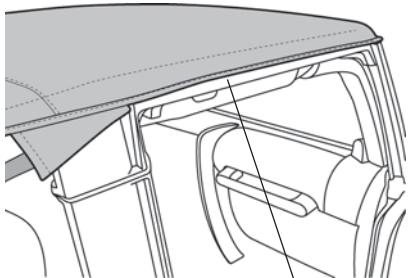
Aftermarket Door Surround Drip Rail



Original Equipment Door Surround

4 Drape Cable Bikini over Vehicle

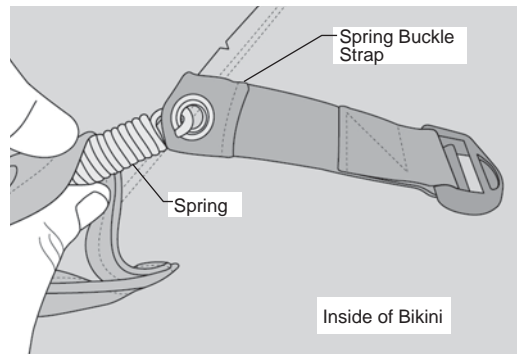
Drape the Cable Bikini over the vehicle. Make sure that the Bikini cable lies along the outside of the channel on the door surround.



Original Equipment Door Surround Drip Rail

5 Install Spring Buckle Straps

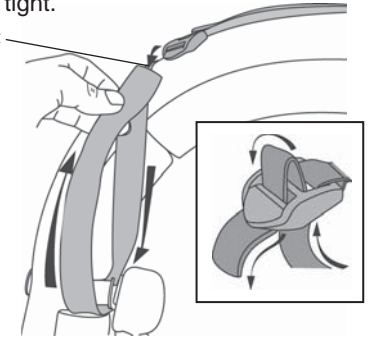
Install a Spring Buckle Strap on the spring on each side of the Cable Bikini.



6 Secure Rear Buckle Straps

Locate the two (2) buckle straps sewn to the rear corners of the Cable Bikini. Wrap the straps over the outside of the sport bars and under the seat belt mounts. Thread the end of each strap through its buckle and pull it tight.

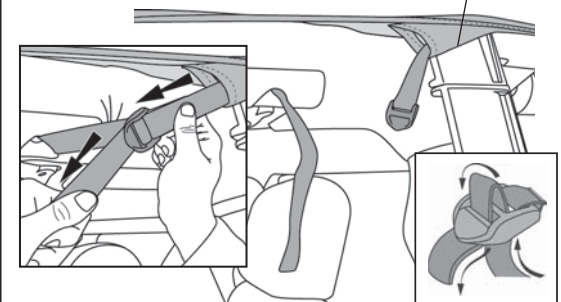
Wrap Strap over Sport Bar and under Seat Belt Mount. Thread Through Buckle



7 Secure Side Buckle Straps

Locate the Spring Tension Strap installed on the sound bar in Step 1. Make sure the pocket is outside the door surround. Thread the end of the strap through the buckle on the Spring Buckle Strap and leave it loose.

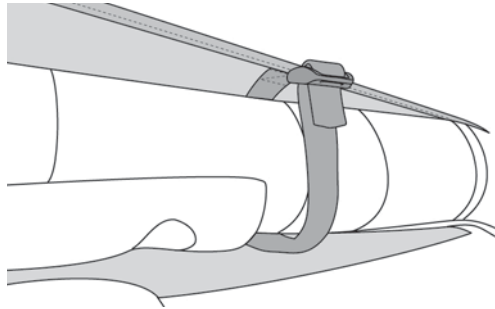
Make sure pocket is outside Door Surround



Cable Bikini – Installation Instructions

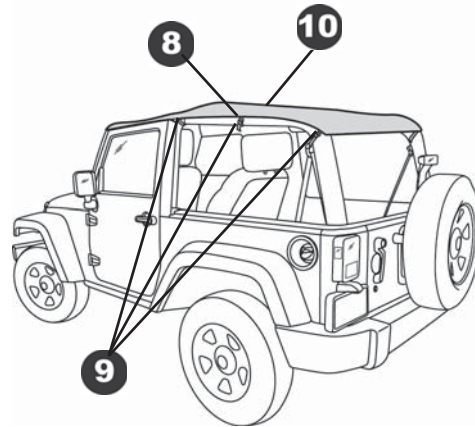
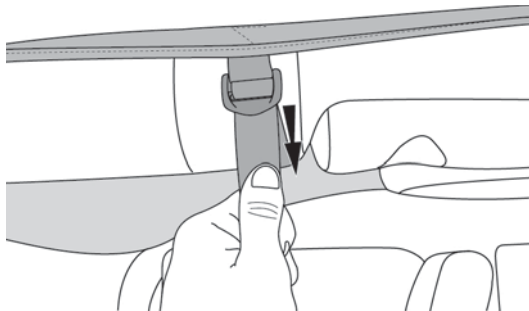
8 Secure Side Tension Straps

Locate the buckle strap sewn to each side of the Cable Bikini. Wrap the straps under the sport bars and thread the end of each strap through its buckle. Leave the straps loose.



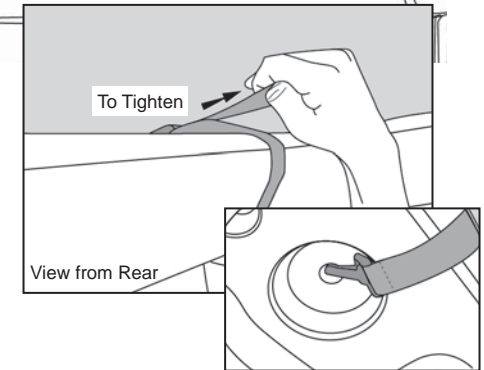
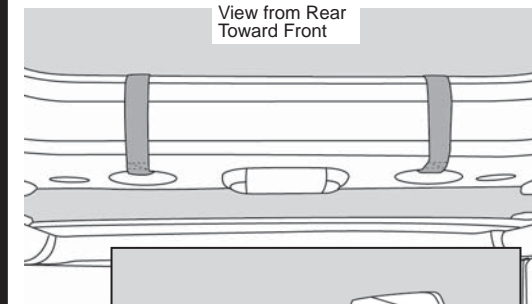
9 Tighten Tension Straps

Start from the rear of the vehicle and, working toward the front, pull all Tension Straps tight.



10 Secure Center Straps

Locate the two (2) Center J-Hook Straps on the center flap of the Cable Bikini. Pull the straps over the rear of the sound bar and hook each strap into the opening as shown. Pull the end of each strap to tighten securely.



Cable Bikini – Installation Instructions

Care and Maintenance of your Bestop Product

Your Bestop product is made of the finest materials available. To keep it looking new and for the maximum possible wear, it will need periodic cleaning and maintenance.

Washing: The fabric should be washed often using soap, warm water and a soft bristle brush. Rinse with clear water to remove all traces of soap or use Bestop-recommended Bestop Cleaner and Bestop Protectant. Bestop Cleaner and Bestop Protectant are specially formulated to provide a total cleaning and protection system. Bestop Cleaner will not harm vehicle finish, is biodegradable and environmentally friendly. Bestop Protectant protects against UV-fading, cracking and hardening.

Water: Seeping through at the seams may be stopped by applying 3-M Scotchgard® on the inside of the seams. Rips in the fabric may be repaired with Bondex® iron on patches. Iron the patches to the Inside of the top, carefully following the Bondex® instructions.

LIMITED WARRANTY

We warrant our product to be free from defects in material and workmanship, for the terms specified below, provided there has been normal use and proper maintenance. This warranty applies to the original purchaser only. All remedies under this warranty are limited to the repair or replacement of any item or items found by the factory to be defective within the time period specified. If you have a warranty claim, first you must call our factory at the number below for instructions. You must retain proof of purchase and submit a copy with any items returned for warranty work. Upon completion of warranty work, if any, we will return the repaired or replaced item or items to you freight prepaid. Damage to our products caused by accidents, fire, vandalism, negligence, misinstallation, misuse, Acts of God, or by defective parts not manufactured by us, is not covered under this warranty.

THE WARRANTY TIME PERIOD IS AS FOLLOWS FOR REPLACE-A-TOP™, SAILCLOTH REPLACE-A-TOP™, SUPERTOP®, SUPERTOP® REPLACEMENT SKINS, SUNRIDER®, AND TIGERTOP®: TWO YEARS FROM DATE OF PURCHASE.

THE WARRANTY TIME PERIOD IS AS FOLLOWS FOR ALL OTHER “SOFT GOODS” MANUFACTURED BY OUR COMPANY (USING PRIMARILY VINYL, PLASTICS, AND/OR FOAM): ONE YEAR FROM DATE OF PURCHASE.

THE WARRANTY TIME PERIOD IS AS FOLLOWS FOR ALL OTHER “HARD GOODS” MANUFACTURED BY OUR COMPANY (USING PRIMARILY METALS, PLASTICS, AND/OR FIBERGLASS): ONE YEAR FROM DATE OF PURCHASE.

ANY IMPLIED WARRANTIES OF MERCHANTABILITY AND/OR FITNESS FOR A PARTICULAR PURPOSE CREATED HEREBY ARE LIMITED IN DURATION TO THE SAME DURATION AND SCOPE AS THE EXPRESS WRITTEN WARRANTY. OUR COMPANY SHALL NOT BE LIABLE FOR ANY INCIDENTAL OR CONSEQUENTIAL DAMAGE.

Some states do not allow limitations on how long an implied warranty lasts, or the exclusion or limitation of incidental or consequential damages, so the above limitations or exclusions may not apply to you. This warranty gives you specific legal rights, and you may also have other rights which vary from state to state.



For further information or request for warranty work, please contact:
Bestop Inc. Customer Service
Toll-Free: (800)845-3567
Main: (303)465-1755
E-mail: csbestop@Bestop.com
Website: www.Bestop.com
