

QuickWeigh

Installation & User Guide



**For Tractors or Trailers
with Air Ride Suspensions**

Air-Weigh
Customer Support:
1-888-459-3247

PN 901-0185-000 R0

Table of Contents

Scale Overview	1
QuickWeigh App.....	1
Install Kit Includes	1
Tools needed	1
Mounting the Scale	2
Connecting Power to the Scale	4
Connecting Power to the Junction Box.....	5
Installing the Air Line and Brass T Fitting	8
Downloading the QuickWeigh app	9
Using the QuickWeigh app	10
Calibrating your scale	13
Limited Warranty	14
Procedure for Warranty Claims	17

Scale Overview

The QuickWeigh Scale is an on-board weighing system for air-ride suspensions on tractors or trailers. The sensor in the QuickWeigh scale measures the air pressure change and converts this into a displayed weight that can be viewed on the external scale or on the QuickWeigh app.

QuickWeigh App

Download the QuickWeigh-Scale app and view weight data on any smart device. Available for download on iOS for iPhone at the App Store and Google Play for Android.

Install Kit Includes:

- Scale with 11" Power cord attached
- Mounting bracket
- Mounting hardware
- 25' Air line
- 25' Power Cord extension
- Air line tee fittings
- Zip-ties

Tools Needed:

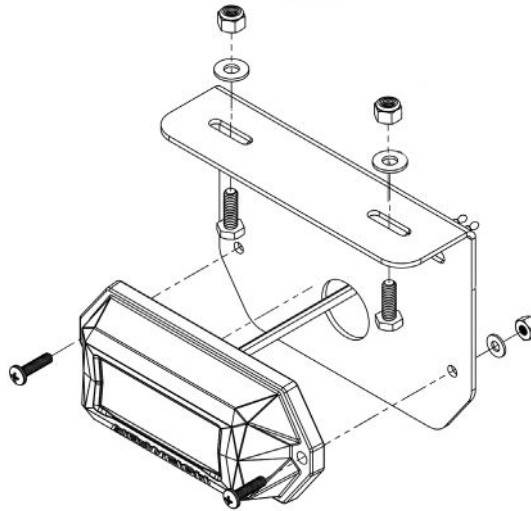
- Screw driver
- Flush wire cutter and wire stripper
- Driver & drill bit (1/4" hole)
- Teflon tape

Mounting the Scale

You can mount the scale using the mounting bracket or it can be installed flush by drilling a 1/4" hole for the air line and power cable to extend out of the back of the scale.

If using the mounting bracket - follow the below instructions:

1. Locate and decide where you'd like to install the scale display. It's recommended that for tractors and trailers you place the scale on the driver's side. Also, for trailers, 10 feet ahead of the front axle.
2. Secure the scale display to the mounting bracket with the provided nuts and bolts. Tighten to 6 in-lbs. **Do NOT over tighten!**
3. Hold the mounting bracket in the location you plan to install the scale and mark where the screws will be placed. Drill tapping holes where you have marked and install the installation bracket and scale to the vehicle.



Note: Do NOT over tighten! Secure to 6 in-lbs.

Note: When choosing a location to mount the scale display, first consider the length of cables in your scale kit. Make sure there is enough length in your power and air line to run from where you are mounting the display to where you are connecting to power and installing the brackets.

Note about cables: Do not place strain on the cables. If there is a sharp bend in the wires, the environmental seal could fail, allowing water to damage the scale. If the scale is disconnected from the trailer, the power cable or air line will not support the weight of the scale.

Connecting Power to the Scale

You can connect the trailer scale to the trailer's power through a junction box, nose box, marker light, or by using the optional ABS T-Breakout kit that can be purchased separately.

Note: If using marker light you will need lights to be on when using scale.

Option 1 (Blunt Cut Connection)

1. Connect the 25' Power cable extension with the female end to the male end of the power cable that exits the back of the scale.
2. Route the power extension cable along the frame of the tractor or trailer toward the location where the blunt end of the cable will connect to power.



Male power cable
out of back of scale



Female 25' power
cable extension

Connecting Power to a Junction Box

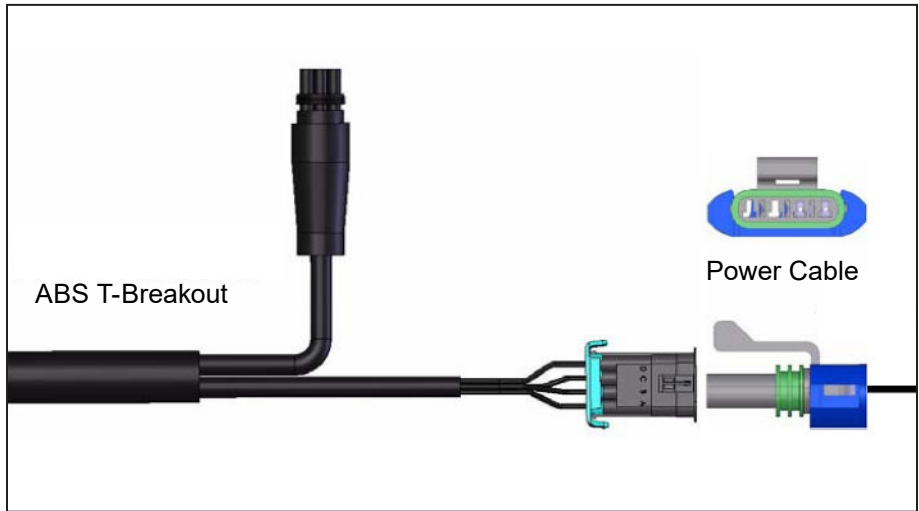
1. Starting at the 7-way connector at the front of the trailer, follow the wiring harness until you reach/find the junction box. Remove the cover of the junction box to expose the wiring. Find the blue ABS power wire.
2. Using the supplied ring terminals, connect the blue power wire on the end of the trailer scale power cable to the blue ABS wire in the junction box. Connect the white ground wire on the end of the scale power cable to the white ground wire in the junction box.
3. Route the power extension cable along the frame of the trailer toward the location where the scale is installed. If possible, route along an existing wiring harness. If the trailer has a sliding suspension you **must** use an existing wiring harness or umbilical to avoid damaging or breaking the cable.
4. Secure the cable loosely to the frame using zip ties.

Option 2 (5-pin ABS Connection)

Air-Weigh provides 5-pin plug T-breakout connectors that do not require splicing or soldering and do not interrupt power to the ABS system for this connector type. When you order your QuickWeigh trailer kit you must specify that you want the ABS connection option.

1. Locate the ABS system harness. Trace the harness to the breakout connection.
2. Disconnect the 5-pin breakout connection. If your system is 6-pin, you cannot use this option.
3. Connect the supplied ABS T-breakout connector to both ends of the ABS harness breakout. Make sure the locking tabs are locked securely.
4. Connect the scale's power extension cable to the T-breakout connector.

ABS T-Breakout Example



Installing the Air Line and Brass T Fitting

1. Detach the air line connection from the top of the most convenient air bag.
2. Apply Teflon tape, then thread the brass T fitting provided in your trailer kit into the top of the air bag and tighten securely.
3. Apply Teflon tape, then thread the existing airline fitting into the top of the Air-Weigh brass T fitting.
4. Connect the air line fitting to the side of the brass T fitting and tighten securely.
5. Remove the end cap and compression band from the air line (compression) fitting.
6. Slide the end cap and the compression band onto the fitting for the air line.
7. Slide the air line onto the T fitting as far as it will go.
8. Securely tighten the end cap. Check that the air lines are secure.
9. Route the blue air line to the coupler that is connected to the display. Cut the air line as needed to the desired length. The cut end should be flat and perpendicular to the hose.
10. Insert the air line into the open end of the quick release in the back of the scale as far as it will go. Tug on the air line to ensure it is properly installed.
11. Secure the air line to existing wiring beneath the vehicle using plastic zip ties provided in your installation kit. Make sure to not overtighten zip ties or kink the air line.

Download the QuickWeigh App

After you finish installing your scale, power up the tractor or trailer to check that the scale lights up.

NOTE: Prior to calibration the scale will read PSI and can be used for basic weight data. Once calibrated, the scale will display weight. PSI will be available via the diagnostic menu.

- On your smart device, navigate to the app play store for your device and download the QuickWeigh-Scale app.

QuickWeigh App
(iPhone)



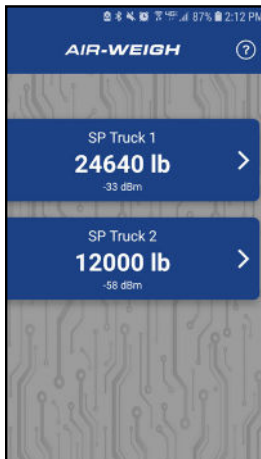
QuickWeigh App
(Android)



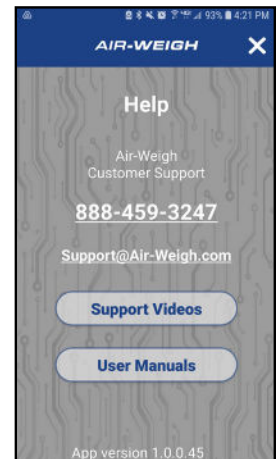
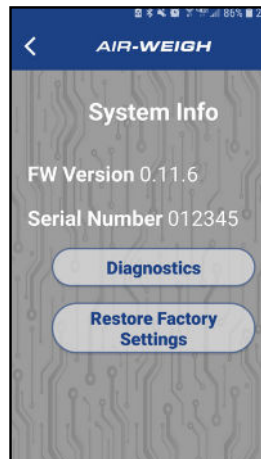
Using the QuickWeigh App

Out of the box, the app will display PSI and can be used for basic weight data. Once calibrated, your scale will display weight. PSI will be available for view via the diagnostic screen.

- The home screen will have a “start scanning” button to help locate and connect to your scale. It will show all scales within range. Prior to naming your scale, it will show as **QW: and the serial number of your scale.**



- The app will find all scales in line of sight, and will display in order of signal strength.
- Once connected to your scale, you can calibrate and change settings by clicking on a selected scale Bluetooth signal listed on the home screen of scale selections.
- In the Setup area of the app, you can set the scale name, display mode and to read lbs. or kg.



Calibration

1-point Calibration

- Calibrate Only Heavy
- Accurate near calibrated weight
- Scale will display "Cal 1" icon

2-point Calibration (recommended)

- Calibrate Heavy and Empty
- Accurate across weight range
- Scale will display "Cal 2" icon

Empty

Heavy

Clear Calibration

Calibrating Your Scale

1. With power to the scale, select the scale on the app screen to go to the menu.
2. Select “Calibration” and follow the screen instructions.
3. For single point, you can choose to enter your Heavy weight
4. For dual point, you can choose to enter either your Empty or your Heavy weight. It does not matter which order.

Note: Make sure your weights are obtained from a certified scale and that your vehicle is fully Empty when obtaining and entering Empty weights and fully loaded with obtaining and entering Heavy weights.

Limited Warranty

Air-Weigh warrants (the “Limited Warranty”) that the Products will be free from defects in material and workmanship under normal use and service with proper maintenance for the following time periods:

- (a) for new Scale kits, the Limited Warranty period will be 3 years;
- (b) for new parts and accessories sold separately, the Limited Warranty period will be 1 year; and
- (c) for repaired or refurbished items, including repaired or refurbished Scale kits and repaired or refurbished parts and accessories sold separately, the Limited Warranty period will be 90 days.

If any Product is determined to not conform to this Limited Warranty during its applicable Limited Warranty period, Air-Weigh will, at its exclusive option, either repair or replace the Product.

Limitations of Limited Warranty. Air-Weigh will have no obligation under the Limited Warranty with respect to any product if (a) Buyer fails to notify Air-Weigh in writing during the warranty period of a non-conformity, or (b) Buyer or any other person, entity, or governmental authority uses, misuses, or neglects the product in a manner inconsistent with the product’s specifications or directions for use or maintenance, modifies the product or improperly installs, handles, or maintains the product.

No Repair or Modification of the products. Except as explicitly authorized or in a separate written agreement with Air-Weigh, Buyer will not service, repair, modify, alter, replace, reverse engineer, or otherwise change any of the products.

Disclaimer of All Other Warranties. EXCEPT FOR THE LIMITED WARRANTIES SET OUT ABOVE, NEITHER AIR-WEIGH NOR ANY PERSON OR ENTITY ON AIR-WEIGH’S BEHALF HAS MADE OR MAKES FOR BUYER’S BENEFIT ANY EXPRESS OR IMPLIED REPRESENTATION OR WARRANTY WHATSOEVER, INCLUDING ANY WARRANTIES OF: (i) MERCHANTABILITY; (ii) FITNESS FOR A PARTICULAR PURPOSE; (iii) TITLE; OR (iv) NON-INFRINGEMENT; WHETHER ARISING BY LAW, COURSE OF DEALING, COURSE OF PERFORMANCE, USAGE OF TRADE OR OTHERWISE, ALL OF WHICH ARE EXPRESSLY DISCLAIMED. BUYER ACKNOWLEDGES THAT IT HAS NOT RELIED ON ANY OTHER REPRESENTATION OR WARRANTY MADE BY AIR-WEIGH, OR ANY OTHER PERSON OR ENTITY ON AIR-WEIGH’S BEHALF.

Limitation of Liability.

IN NO EVENT WILL AIR-WEIGH BE LIABLE FOR CONSEQUENTIAL, INDIRECT, INCIDENTAL, SPECIAL, EXEMPLARY, PUNITIVE, OR ENHANCED DAMAGES, LOST PROFITS OR REVENUES, OR DIMINUTION IN VALUE, ARISING OUT OF OR RELATING TO ANY BREACH OF THESE TERMS, REGARDLESS OF WHETHER OR NOT THE DAMAGES WERE FORESEEABLE, WHETHER OR NOT AIR-WEIGH WAS ADVISED OF THE POSSIBILITY OF THE DAMAGES, OR THE LEGAL OR EQUITABLE THEORY (CONTRACT, TORT, OR OTHERWISE) ON WHICH THE CLAIM IS BASED.

IN NO CASE WILL AIR-WEIGH'S AGGREGATE LIABILITY ARISING OUT OF OR RELATED TO THESE TERMS, WHETHER ARISING OUT OF OR RELATED TO BREACH OF CONTRACT, TORT (INCLUDING NEGLIGENCE), OR OTHERWISE, EXCEED THE TOTAL OF THE AMOUNTS PAID TO AIR-WEIGH FOR THE PRODUCTS.

THE FOREGOING LIMITATIONS APPLY EVEN IF BUYER'S REMEDIES UNDER THESE TERMS FAIL OF THEIR ESSENTIAL PURPOSE.



This page intentionally blank.

Procedure For Warranty Claims

ALL customers should first contact Air-Weigh Customer Support Department at (888) 459-3247 for questions regarding the use, operation, repair or return of any Air-Weigh product.

In the event Air-Weigh requests to examine the product prior to disposition OR for repair or replacement, Air-Weigh requires a Return Material Authorization (RMA) number be issued before the item is returned. Customer Support will issue the RMA number. Please reference this RMA number in all correspondence.

Claimed items shall be shipped freight pre-paid to:

Air-Weigh

Customer Support Department
1720 Willow Creek Circle, Suite 510
Eugene, Oregon 97402, USA

The Air-Weigh RMA number **must** appear on the outside of the return packaging. Air-Weigh shall examine returned material within 30 days after receipt, or sooner if mutually agreed upon. If Air-Weigh determines that the part or assembly was defective in material or workmanship and within the warranty period, Air-Weigh will repair or replace the part or assembly and return freight pre-paid. In the event Air-Weigh determines that the part or assembly cannot be repaired or replaced and is within the warranty period, a credit not to exceed the purchase price will be issued to the Air-Weigh customer.

For our customers using purchase orders Air-Weigh will process a credit memo and notify the customer by email or fax. The customer will process a corresponding debit memo and notify Air-Weigh accordingly.

If the part or assembly received by Air-Weigh does not meet the requirements of the warranty program set forth above, at the Air-Weigh customer's request the part or assembly will either be discarded, returned freight collect, or repaired or replaced at the Air-Weigh customer's expense and returned freight collect.

AIR-WEIGH
AIR AND MECHANICAL SUSPENSION SCALES



1720 Willow Creek Circle • Eugene, OR 97402-9152 USA
P.O. Box 24308 • Eugene, OR 97402-0437 USA

Telephone (541) 343-7884 • Order Desk (888) 459-3444
Customer Support (888) 459-3247 • Fax (541) 431-3121

www.Air-Weigh.com

PN 901-0185-000 R0