

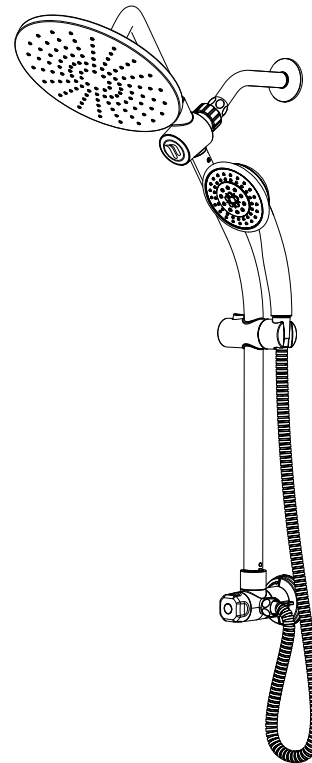
## USAGE INSTRUCTIONS:

- Diverter valve controls the shower head and hand shower functions. Turn diverter counterclockwise for hand shower and turn clockwise for shower head.
- Rotate face of hand shower to switch settings.
- Adjust the hand shower position by depressing the button on the hanger and sliding up or down.
- Always turn cold water on first to help prevent any accidental burning or scalding, especially for children and elderly.
- **DO NOT** use any part of the Niagara ShowerRail as a support device.

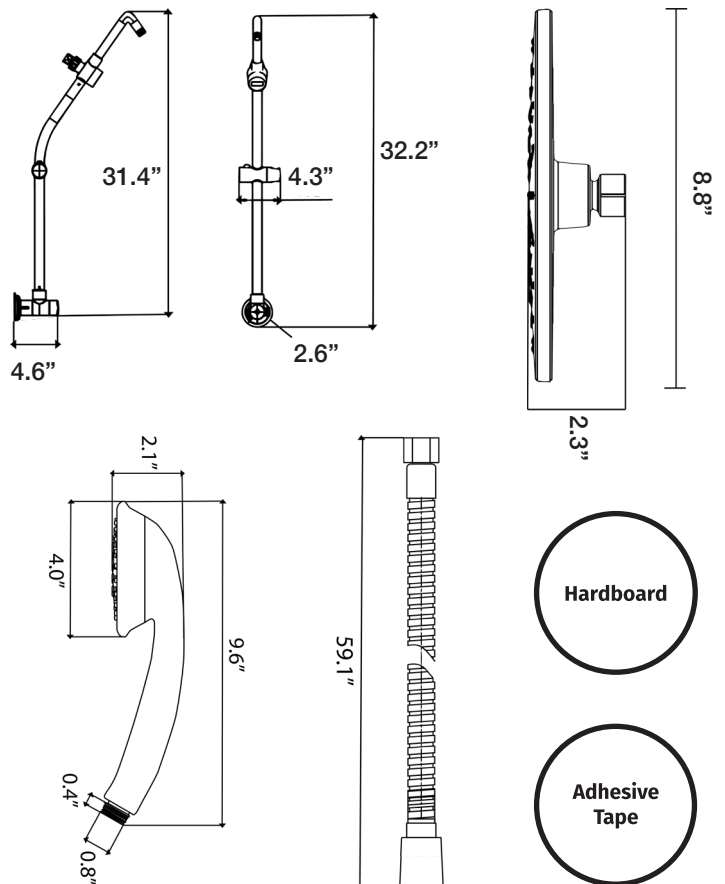
## CARE AND MAINTENANCE:

- To keep your ShowerRail looking new, wipe down after each use with a soft cotton cloth.
- Protect your ShowerRail from hard water stains and mineral deposits by periodically using an auto spray wax.
- Clean using mild liquid soap and a non-abrasive sponge or cloth. Rinse with clean water.
- **DO NOT** use any kind of chemicals or abrasives.

## SHOWERRAIL KIT INSTALLATION INSTRUCTIONS



## PARTS INCLUDED:



## MANUFACTURER'S LIMITED WARRANTY

AM Conservation Group, Inc. guarantees to the original purchaser or recipient of a showerhead that it is free from defects in material and workmanship for a period of 10 years. AM Conservation Group, Inc. will at our choice replace any part of the showerhead which is in our opinion defective provided that the product has not been abused, misused, altered, or damaged after its purchase. This includes damage due to the use of tools or harsh chemicals. In the event a product has been discontinued, AM Conservation Group, Inc. will replace it with what we determine to be the closest product. AM Conservation Group, Inc. is not responsible for labor charges, installation, or other consequential cost. AM Conservation Group, Inc.'s responsibility shall not exceed the original cost of the product.

## SMOOTH WALL SURFACE INSTALLATION:



1. Remove existing shower fixture/head by unscrewing counter-clockwise from pipe nipple. Remove any existing plumber's/Teflon tape residue.

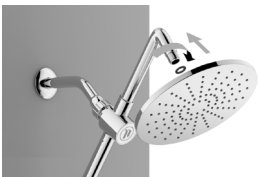


2. Apply fresh pipe tape in clockwise direction to existing pipe nipple, then mount new rail by screwing hex nut clockwise onto existing pipe nipple. Included washer should be inside hex nut before threading onto pipe nipple. Tighten hex nut with crescent wrench to ensure snug fit.

**CAUTION: DO NOT OVERTIGHTEN**



3. Be sure shower wall is clean where drill-free suction cup will mount. Firmly press diverter knob against the wall and turn suction cup knob clockwise until you hear a click.



4. Connect the new showerhead and hand shower attachment. In a clockwise direction, apply pipe tape to threads of showerhead connection at the top and to hand shower connection, right of the diverter. Ensure supplied washers are installed in showerhead ball joint and both ends of hose connections.

**CAUTION: HAND TIGHTEN**

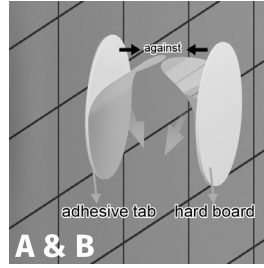


5. Once connections are complete, turn on the water and check for any leaks.

## UNEVEN SURFACE INSTALLATION:

Follow steps 1 & 2 on the previous page

3. Be sure shower wall is clean where drill-free suction cup will mount.

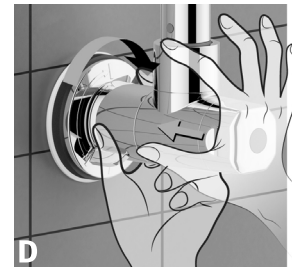
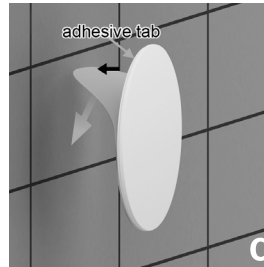


3a. Peel off white paper and clear film from each of the supplied disks.

3b. Adhere the adhesive pad to the hard board.

3c. Ensuring alignment with suction cup, remove yellow paper from back of adhesive disk and affix to wall.

3d. Remove remaining film from hard board and firmly press diverter knob against the wall and turn suction cup knob clockwise until you hear a click.



4. Connect the new showerhead and hand shower attachment. In a clockwise direction, apply pipe tape to threads of showerhead connection at the top and to hand shower connection, right of the diverter. Ensure supplied washers are installed in showerhead ball joint and both ends of hose connections.

**CAUTION: HAND TIGHTEN**



5. Once connections are complete, turn on the water and check for any leaks.

If you have installation questions or performance problems, call AM Conservation Group toll-free at (843) 410-4137 or visit [www.amconservationgroup.com](http://www.amconservationgroup.com).