

## OVERVIEW

Designed to attach to most showerheads, our Soap & Soak® Showerhead Pause Valve allows users to reduce the flow of water to a trickle when soaping up—which saves water and energy while showering.



## KEY FEATURES

- Compatible with most conventional showerheads
- Patented Soap & Soak® valve reduces flow to approximately half of the installed shower head's flow
- Easy to install

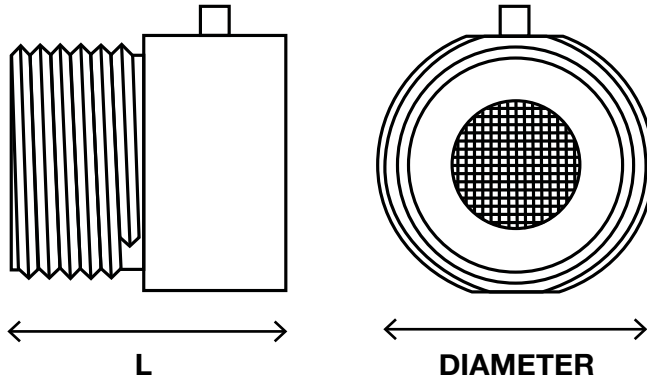
## CERTIFICATION & PERFORMANCE REQUIREMENTS

- ASME A112.18.1 / CSA B125.1
- Chrome-plated parts meet ASTM B368 for corrosion testing

MODEL #	SPRAY	FINISH
N3110	Pause Valve	Chrome

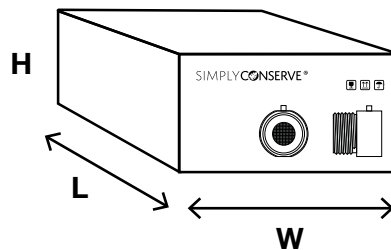
### DIMENSIONS

#### PRODUCT



CATALOG #	L	DIA	MALE THREAD	FEMALE THREAD
N3110	0.9"	0.9"	1/2"-14 NPSM	1/2"-14 NPSM

#### PACKAGING



CATALOG #	L	W	H	CASE QTY	GROSS WT
N3110	6.7"	10.4"	4.4"	100	13.35 lb

### SAVINGS POTENTIAL

\*Factors in calculating savings potential:

- 3-person households each person using a faucet 8 minutes per day, 365 days per year (AWWARF Residential Study)
- Comparing water use with these aerator vs. a standard 2.2 GPM unit
- US city average water and sewer cost of \$8.3 per 1,000 gallons (study done by NUS Consulting Group 2011)

- Average cost of electricity 0.113¢ per kWh (ENERGY STAR® Nov. 2013 Lightbulb Calculator - [http://www.energystar.gov/?c=cfls.pr\\_cfls\\_savings](http://www.energystar.gov/?c=cfls.pr_cfls_savings))
- Average cost of gas \$1.137 per therm (Bureau of Labor Statistics April 2014)
- Calculations done by <http://www.fishnick.com/savewater/tools/watercalculator>

**For warranty claims, please contact:**

customercare@amconservation.com

**To learn more, please visit:**

www.amconservation.com