

OVERVIEW

Our Earth® handheld showerhead features a 9-jet adjustable turbo massage that easily rotates from a gentle needle spray to a forceful jet. Because the stream is non-aerated, the showerhead experiences less temperature loss—translating to maximum energy savings.

KEY FEATURES

- Three spray settings: 9-jet spray, shower and combo
- Technology guarantees a consistent flow rate across a wide range of pressure
- Even, vacillating motion with a large spray diameter
- Corrosion-resistant, high-impact ABS thermoplastic body with brass ball joint
- Includes 72" stainless steel hose for chrome models and 72" nylon-reinforced PVC hose and bracket for white model—hoses include a backflow preventer



FINISHES



Chrome

Brushed Nickel

White

CERTIFICATION & PERFORMANCE REQUIREMENTS

- ASME A112.18.1 / CSA B125.1; ASME A112.18.3; ANSI/NSF 61

MODEL #	FINISH	FLOW RATE
N2935	White	2.0 GPM
N2935CH	Chrome	2.0 GPM
N2945BN	Brushed Nickel	1.5 GPM
N2945CH	Chrome	1.5 GPM
N2947CH	Chrome	1.75 GPM

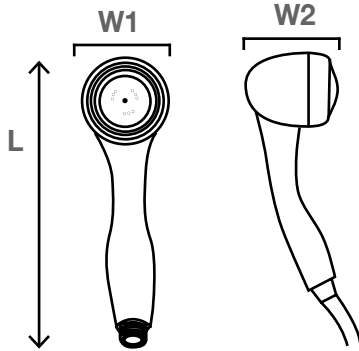


POTENTIAL ANNUAL SAVINGS

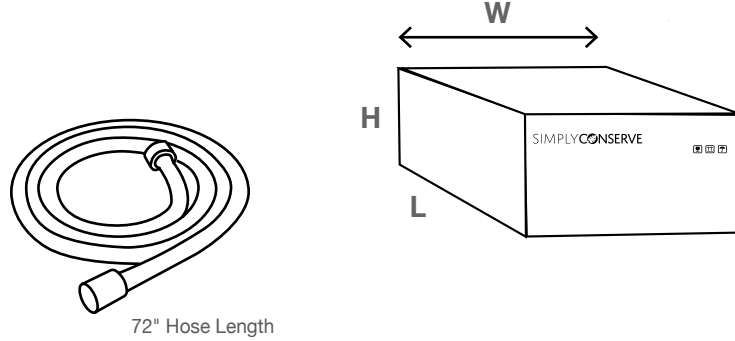
	FLOW RATE	WATER	ELECTRIC HEATING	GAS HEATING
DOLLAR SAVINGS	1.5 GPM	\$73	\$129	\$72
UTILITY SAVINGS	1.5 GPM	8,760 gallons	1,138 kWh	63 therms
DOLLAR SAVINGS	1.75 GPM	\$54	\$96	\$55
UTILITY SAVINGS	1.75 GPM	6,570 gallons	854 kWh	48 therms
DOLLAR SAVINGS	2.0 GPM	\$37	\$72	\$37
UTILITY SAVINGS	2.0 GPM	4,380 gallons	596kWh	32 therms

DIMENSIONS

PRODUCT



CASE



CATALOG #	L	W1	W2
N2935	9.1"	2.7"	3.4"
N2935CH	9.3"	2.7"	3.3"
N2945BN	9.3"	2.7"	3.3"
N2945CH	9.3"	2.7"	3.3"
N2947CH	9.3"	2.7"	3.3"

CATALOG #	L	W	H	CASE QTY	GROSS WT
N2935	13.8"	11.6"	9.4"	12	13 lbs
N2935CH	13.8"	11.6"	9.4"	12	15.35 lbs
N2945BN	13.8"	11.6"	9.4"	12	15.7 lbs
N2945CH	13.8"	11.6"	9.4"	12	15.5 lbs
N2947CH	13.8"	11.6"	9.4"	12	15.5 lbs

*Factors in calculating savings potential:

- 3-person households each using a shower 9 minutes per day, 365 days per year (AWWARF Residential Study)
- Comparing water use with these showerheads vs. a standard 2.5 GPM unit
- US city average water and sewer cost of \$8.3 per 1,000 gallons (study done by NUS Consulting Group 2011)
- Average cost of electricity 0.113¢ per kWh (Energy Star Nov. 2013 Lightbulb Calculator)
- Average cost of gas \$1.137 per therm (Bureau of Labor Statistics April 2014)
- Calculations done by energy.gov

10-Year Limited Warranty



AM Conservation guarantees to the original purchaser or recipient of a showerhead that it is free from defects in material and workmanship for a period of 10 years. AM Conservation will at our choice replace any part of the showerhead which is in our opinion defective provided that the product has not been abused, misused, altered, or damaged after its purchase. This includes damage due to the use of tools or harsh chemicals. In the event a product has been discontinued, AM Conservation will replace it with what we determine to be the closest product. AM Conservation is not responsible for labor charges, installation, or other consequential cost. AM Conservation's responsibility shall not exceed the original cost of the product.

For warranty claims, please contact:

customercare@amconservation.com

To learn more, please visit:

www.amconservation.com