

LED WALL PACK WITH PHOTOCELL

L35-WPT-50-120/277-D-PC, L50-WPT-50-120/277-D-PC, L80-WPT-50-120/277-D-PC

OVERVIEW

Our LED Wall Pack provides even, bright lighting for outdoor settings. It is the ideal energy-efficient solution for public spaces, schools, hospitals, parking garages, outdoor walkways and more. With construction that prevents light pollution, saves energy and results in lower maintenance costs, outdoor spaces remain reliably lit for less cost over time.

KEY FEATURES

- Operation temperature: -4°F - 113°F
- Ignition time: Instant-on
- Photocell included (can be removed from circuit)
- 0-10V dimmable
- IP65-rated for use in wet conditions
- Heavy-duty aluminum casting

Catalog #		Type
Project		
Comments		Date
Prepared by		



50,000
HOURS



PHOTOCELL
COMPATIBLE



POLYCARBONATE
LENS



ORDERING INFORMATION

SOURCE	WATTAGE	TYPE	CCT	OPERATION
L = LED	35 = 35W 50 = 50W 80 = 80W	WPT = Wall Pack Traditional	50 = 5000K	D = 0-10V Dimming PC = Photocell

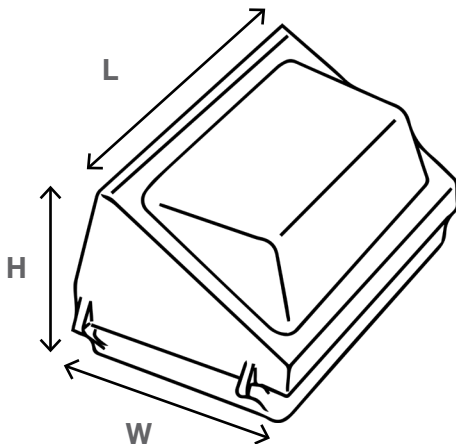
L35-WPT-50-120/277-D-PC, L50-WPT-50-120/277-D-PC, L80-WPT-50-120/277-D-PC

SPECIFICATIONS

CATALOG #	WATTS	CCT	LM	CRI	EFFICACY	VOLTAGE	DIM
L35-WPT-50-120/277-D-PC	35W	5000K	4550	≥80	130 lm/W	100-277V	0-10V
L50-WPT-50-120/277-D-PC	50W	5000K	5000	≥80	100 lm/W	100-277V	0-10V
L80-WPT-50-120/277-D-PC	80W	5000K	8000	≥80	100 lm/W	100-277V	0-10V

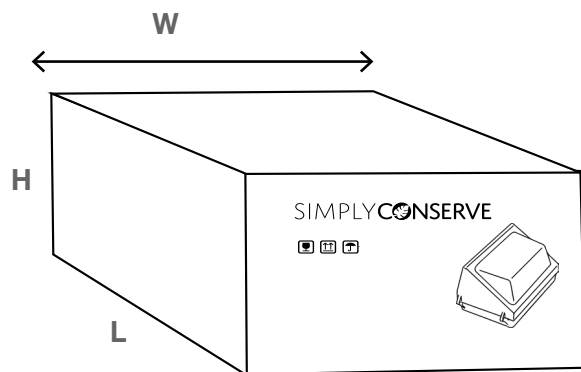
DIMENSIONS

PRODUCT



PACKAGING

Case



CATALOG #	L	W	H
L35-WPT-50-120/277-D-PC	14.3"	9.3"	7.4"
L50-WPT-50-120/277-D-PC	14.3"	9.3"	7.4"
L80-WPT-50-120/277-D-PC	14.3"	9.3"	7.4"

CATALOG #	L	W	H	CASE QTY	GROSS WT
L35-WPT-50-120/277-D-PC	15.2"	11.0"	9.6"	1	9.6 lb
L50-WPT-50-120/277-D-PC	15.2"	11.0"	9.6"	1	9.6 lb
L80-WPT-50-120/277-D-PC	15.2"	11.0"	9.6"	1	9.6 lb

5-Year Limited Warranty



AM Conservation ("AMC") warrants this product to be free from manufacturing defects for a period of five years from the date of consumer purchase or distribution by an energy conservation program, and has been properly installed, AMC will replace the product free of charge.

For warranty claims, please contact:

customer@amconservation.com

To learn more, please visit:

www.amconservation.com