

ADJUSTABLE LED WALL PACK

L45/75-WPT-30/50-D-ADJ-120-277-PC

OVERVIEW

Simply Conserve's field-adjustable traditional wall pack includes two switches on the unit which allow for adjustment of the lumen output and color temperature. This 9-in-1 wall pack allows for easy and flexible installation for new construction, remodel, and retrofit projects. Factory-installed photocell provides simple dusk-to-dawn control for exterior applications or add to existing controls with the included 0-10V dimming driver.

KEY FEATURES

- Field-adjustable lumens and CCT
- For retrofit or new construction installation
- Wet location-rated
- L70-rated lifetime of 50,000 hours
- 0-10V dimmable
- Durable aluminum housing

Catalog #		Type
Project		
Comments		Date
Prepared by		



FIELD ADJUSTABLE



INTEGRATED PHOTOCELL



WET-RATED



50,000 HOURS



ORDERING INFORMATION

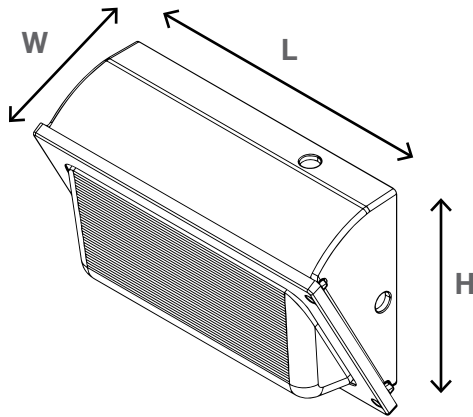
SOURCE	WATTAGE	TYPE	CCT	INC. OPTIONS
L = LED	45/75 = 45W, 60W, 75W	WPT = Wall Pack Traditional	30/50 = 3000K, 4000K, 5000K	D = 0-10V Dimming ADJ = Adjustable PC = Photocell

SPECIFICATIONS

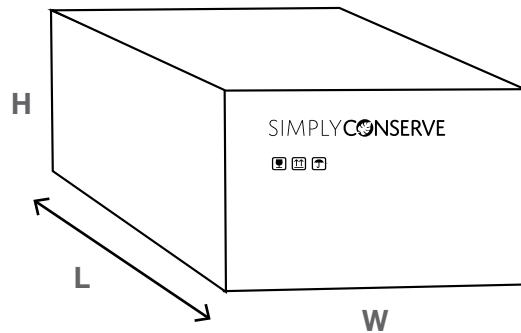
CATALOG #	WATTS	CCT	LM	CRI	EFFICACY	VOLTAGE	DIM
L45/75-WPT-30/50-D-ADJ-120-277-PC	45/60/75	30/40/50K	6075/8100/10125	≥80	135 LPW	100-277V	0-10V

DIMENSIONS

PRODUCT



PACKAGING



CATALOG #	L	W	H
L20/30-FP22-35/50-D-ADJ	14.0"	5.0"	9.0"

CATALOG #	L	W	H	CASE QTY	GROSS WT
L20/30-FP22-35/50-D-ADJ	16.1"	7.1"	11.0"	1	

5-Year Limited Warranty



If this wall pack fails to operate for a 5-year period under normal consumer use (12 hours/day, 7 days/week), from the date of purchase or distribution by an energy conservation program and has been properly installed, AM Conservation Group will replace the lamp free of charge.

For warranty claims, please contact:

customer@amconservationgroup.com

To learn more, please visit:

www.amconservationgroup.com