

FIELD-ADJUSTABLE COMMERCIAL FLAT PANEL

L25/40-FP22-35/50-D-ADJ
L40/50-FP24-35/50-D-ADJ

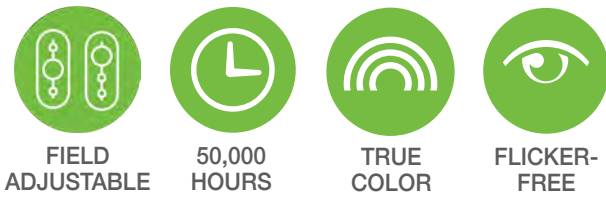
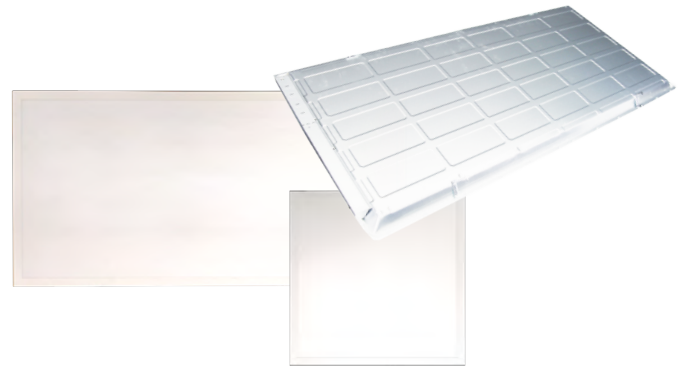
OVERVIEW

Our DLC-certified LED flat panels are designed for recessed, surface, or suspended ceiling grid installation, making them an ideal solution for replacing inefficient traditional fluorescent fixtures. They produce an even, bright light suitable for commercial settings including office buildings, schools, hospitals and more. Their minimalist design allows them to integrate seamlessly, offering high-quality, reliable lighting.

KEY FEATURES

- Field-adjustable lumen and CCT
- Ignition time: Instant-on
- Suitable for use in damp locations
- 0-10V dimmable
- Wiring provisions for emergency and/or sensor installation

Catalog #		Type
Project		
Comments		Date
Prepared by		



ORDERING INFORMATION

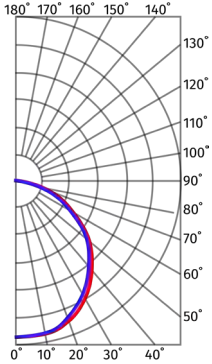
SOURCE	WATTAGE	FIXTURE TYPE	PRODUCT SIZE	CCT	INC. OPTIONS
L = LED	25/40 = 25W, 30W, 40W	FP = Flat Panel	22 = 2' x 2'	35/50 = 3500K, 4000K, 5000K	D = Dimmable ADJ = Adjustable
	40/50 = 40W, 45W, 50W		24 = 2' x 4'		

SPECIFICATIONS

CATALOG #	WATTS	CCT	LM	EFFICACY	CRI	VOLTAGE
L25/40-FP22-35/50-D-ADJ	25/30/40	35/40/50K	3125/3750/5000	125 LPW	≥80	120-277V
L40/50-FP24-35/50-D-ADJ	40/45/50	35/40/50K	5000/5625/6250	125 LPW	≥80	120-277V

PHOTOMETRICS

L40/50-FP24-35/50-D-ADJ



ZONAL LUMEN SUMMARY		
ZONE	LUMENS	%
0-30	1,755.26	26.4%
0-40	2,884.03	43.4%
0-60	5,138.83	77.3%
0-80	6,470.65	97.4%
0-90	6,632.11	99.8%

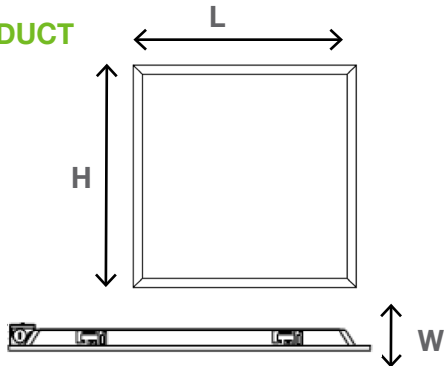
Coefficients of Utilization - Zonal Cavity method

Effective Floor Cavity Reflectance 0.20

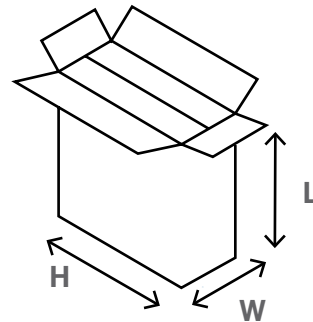
RC	80				70				50			30			10			0	
	RW	70	50	30	10	70	50	30	10	50	30	10	50	30	10	50	30	10	0
0	119	119	119	119	119	116	116	116	116	111	111	111	106	106	106	102	102	102	100
1	108	103	99	95	95	106	101	97	93	97	93	90	93	90	88	89	87	85	83
2	98	90	83	77	77	96	88	81	76	84	79	74	81	76	72	78	74	71	68
3	89	79	70	64	64	87	77	69	63	74	67	62	71	66	61	69	64	60	57
4	82	70	61	54	54	79	68	60	53	66	58	53	63	57	52	61	56	51	49
5	75	62	53	46	46	73	61	52	46	59	51	45	57	50	45	55	49	44	42
6	69	56	47	40	40	67	55	46	40	53	45	40	51	44	39	50	44	39	37
7	64	51	42	35	35	62	50	41	35	48	41	35	47	40	35	45	39	34	32
8	60	46	37	32	32	58	45	37	31	44	37	31	43	36	31	42	35	31	29
9	56	42	34	28	28	54	42	34	28	40	33	28	39	33	28	38	32	28	26
10	52	39	31	26	26	51	38	31	26	37	30	25	36	30	25	36	30	25	23

DIMENSIONS

PRODUCT



CASE



CATALOG #	L	W	H	CATALOG #	L	W	H	CASE QTY	GROSS WT
L25/40-FP22-35/50-D-ADJ	23.7"	23.7"	1.6"	L25/40-FP22-35/50-D-ADJ	25.2"	25.2"	4.9"	2	9.3 lb.
L40/50-FP24-35/50-D-ADJ	47.7"	23.7"	1.6"	L40/50-FP24-35/50-D-ADJ	48.8"	25.2"	4.9"	2	17.9 lb.

5-Year Limited Warranty



AM Conservation ("AMC") warrants this product to be free from manufacturing defects for a period of five years from the date of consumer purchase or distribution by an energy conservation program, and has been properly operated, AMC will replace the flat panel free of charge.

For warranty claims, please contact:

customercare@amconservation.com

To learn more, please visit:

www.amconservation.com