

OVERVIEW

Our Door Shoes are available in a variety of lengths and finishes. All door shoes are individually packaged and feature slotted holes for easy adjustment as well as a pliable sealing gasket. The door shoes are made of architectural-grade, medium-duty extruded aluminum and are fire-labeled. They are tested to UL 10B standards, certified for Canada. They meet the requirements of ASTM E-152, NFPA-252 and UBC-432. Screws are included.

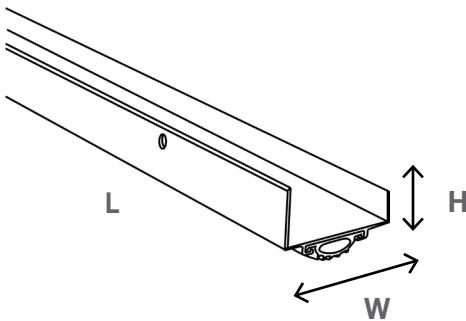


SPECIFICATIONS

CATALOG #	DESCRIPTION
A217V36L	U-Shape Door Bottom, No Drip Cap
A216V36L	U-Shape Door Bottom, With Drip Cap
A211V36L	L-Bottom, No Drop Cap

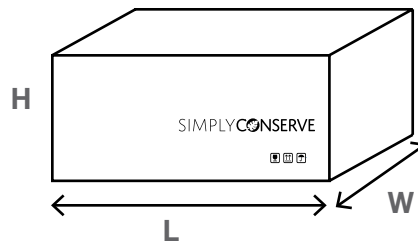
DIMENSIONS

PRODUCT



CATALOG #	L	W	H
A217V36L	36"	2"	1.5"
A216V36L	36"	2.1"	1.3"
A211V36L	36"	2"	1"

PACKAGING



CATALOG #	L	W	H	CASE QTY	GROSS WT
A217V36L	38"	12"	11"	800	46.75 lbs.
A216V36L	37.5"	10.5"	11"	800	51.88 lbs.
A211V36L	37.5"	10.5"	7.7"	1,000	33.58 lbs.

To learn more, please visit:

www.amconservationgroup.com