

# Adjustable Wall Lights

Project Name \_\_\_\_\_  
 Date \_\_\_\_\_ Part Number \_\_\_\_\_

## PRODUCT

SKU	CLT-WPA-28W-BZ-50
Item Number	CLT-10003
Color	Bronze

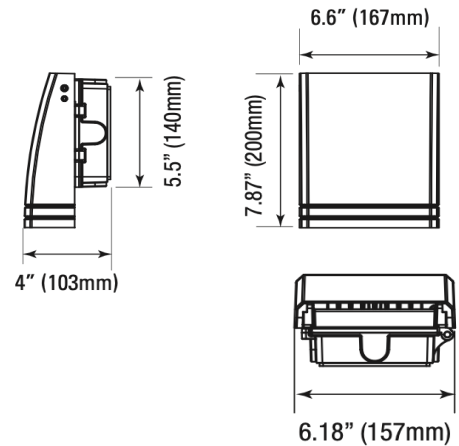
## PRODUCT SPECIFICATION

Wattage	28W	Voltage	120-277V
Lumens	3,513	Replacement Wattage	175
CCT	5000K	Input Current (A)	0.29
Dimmable	-	Power Factor	> 0.9
Beam Angle (°)	140°	CRI	> 80
Operating Temperature (°F)	- 22° to 122°F		
IP Rating	IP65		
Rated Life	50,000 hrs		



## DIMENSIONS

Width (in/mm)	6.60" / 167
Height (in/mm)	7.87" / 200
Depth (in/mm)	4.00" / 103
Weight (lbs)	5.45



## CERTIFICATIONS

DLC/ ENERGY STAR	DLC Premium
UL/ETL	ETL
RoHS	Yes
LM79/LM80	Yes
FCC	Yes

## ACCESSORIES

CLT-MUT-WPA-BZ-KNC	Knuckle Mount
CLT-MUT-WPA-BZ-SF	Slip Fitter
CLT-MUT-WPA-BZ-SB	Swivel Bracket

## APPLICATIONS

- Area Lighting
- Parking Lot Lighting
- Pathway Lighting
- Security Lighting
- Entryway Lighting