

Project Name _____
 Date _____ Part Number _____

PRODUCT

SKU	CLT-WPA-15W-BK-50
Item Number	CLT-10002
Color	Black

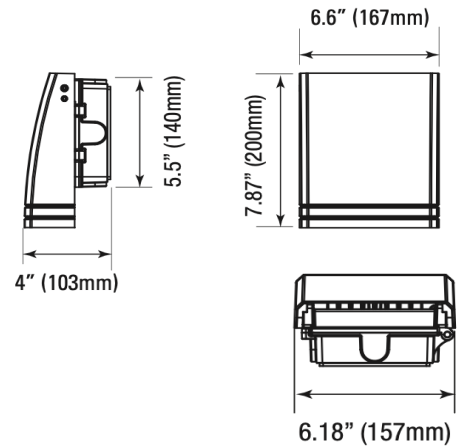
PRODUCT SPECIFICATION

Wattage	15W	Voltage	120-277V
Lumens	2,062	Replacement Wattage	100W
CCT	5000K	Input Current (A)	0.15
Dimmable	-	Power Factor	> 0.9
Beam Angle (°)	140°	CRI	> 80
Operating Temperature (°F)	- 22° to 122°F		
IP Rating	IP65		
Rated Life	50,000 hrs		



DIMENSIONS

Width (in/mm)	6.60 / 167
Height (in/mm)	7.87 / 200
Depth (in/mm)	4 / 103
Weight (lbs)	5.45



CERTIFICATIONS

DLC/ ENERGY STAR	DLC
UL/ETL	ETL
RoHS	Yes
LM79/LM80	Yes
FCC	Yes

ACCESSORIES

CLT-MUT-WPA-BZ-KNC	Knuckle Mount
CLT-MUT-WPA-BZ-SF	Slip Fitter
CLT-MUT-WPA-BZ-SB	Swivel Bracket

APPLICATIONS

- Area Lighting
- Parking Lot Lighting
- Pathway Lighting
- Security Lighting
- Entryway Lighting