

Project Name _____
 Date _____ Part Number _____

PRODUCT

SKU	CLT-WLM-20W-40K-BK-PT
Item Number	
Color	Black

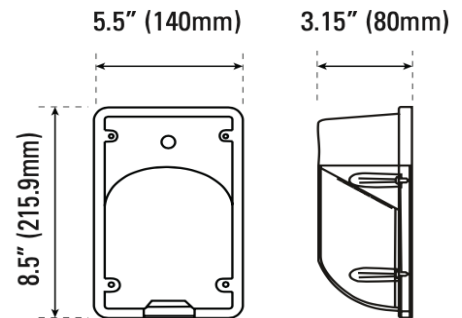
PRODUCT SPECIFICATION

Wattage	20W	Voltage	120-277V
Lumens	1,622	Replacement Wattage	100
CCT	4000K	Input Current (A)	0.2
Dimmable	-	Power Factor	> 0.95
Beam Angle (°)	-	CRI	81
Operating Temperature (°F)	(-22) ° to 131°F	THD	<20%
IP Rating	IP65	Sensor	Yes
Rated Life	50,000 hrs		



DIMENSIONS

Width (in/mm)	5.5 / 140
Depth (in/mm)	3.15 / 80
Height (in/mm)	8.50 / 216
Weight (lbs)	1.5



CERTIFICATIONS

DLC/ ENERGY STAR	Energy Star
UL/ETL	ETL
RoHS	Yes
LM79/LM80	Yes
FCC	Yes

ACCESSORIES

APPLICATIONS

- Security Lighting
- Pathway Lighting
- Perimeter Lighting
- Wall Lighting