

Project Name _____
 Date _____ Part Number _____

PRODUCT

SKU	CLT-HBL-150W-2F-480V-50
Item Number	CLT-20013
Color	White

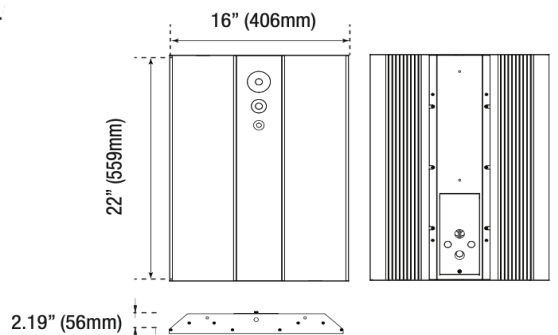
PRODUCT SPECIFICATION

Wattage	150W	Voltage	277-480V
Lumens	19,537	Replacement Wattage	400-575
CCT	5000K	Input Current (A)	0.6
Dimmable	1-10V	Power Factor	> 0.9
Beam Angle (°)	-	CRI	> 80
Operating Temperature (°F)	-40° to 122°F	THD	<20%
IP Rating	Damp Location		
Rated Life	50,000 hrs		



DIMENSIONS

Length (in/mm)	22 / 559
Width (in/mm)	16 / 406
Height (in/mm)	2.19 / 56
Weight (lbs)	6.61



CERTIFICATIONS

DLC/ ENERGY STAR	-
UL/ETL	ETL
RoHS	Yes
LM79/LM80	Yes
FCC	Yes

ACCESSORIES

APPLICATIONS

- Warehouse Lighting
- Parking Garages
- Office Lighting
- Hotel Lighting