

Project Name \_\_\_\_\_  
 Date \_\_\_\_\_ Part Number \_\_\_\_\_

**PRODUCT**

SKU	CLT-HBL-100W-2F-277V-50
Item Number	CLT-20011
Color	White

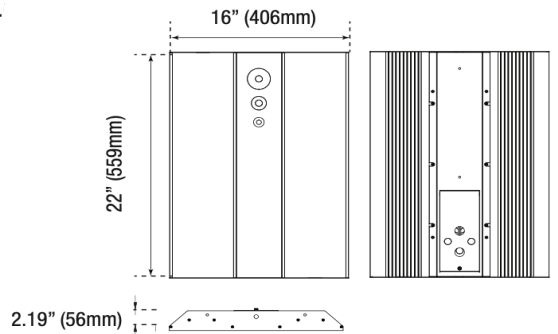
**PRODUCT SPECIFICATION**

Wattage	100W	Voltage	120-277V
Lumens	13,430	Replacement Wattage	400
CCT	5000K	Input Current (A)	1.1
Dimmable	1-10V	Power Factor	>0.99
Beam Angle (°)	-	CRI	>80
Operating Temperature (°F)	-40° to 122°F	THD	<20%
IP Rating	Damp Location		
Rated Life	50,000 hrs		



**DIMENSIONS**

Length (in/mm)	22 / 559
Width (in/mm)	16 / 406
Height (in/mm)	2.19 / 56
Weight (lbs)	6.61



**CERTIFICATIONS**

DLC/ ENERGY STAR	-
UL/ETL	ETL
RoHS	Yes
LM79/LM80	Yes
FCC	Yes

**ACCESSORIES**


**APPLICATIONS**

- Warehouse Lighting
- Parking Garages
- Office Lighting
- Hotel Lighting