

Project Name _____
 Date _____ Part Number _____

PRODUCT

SKU	CLT-EMD-4W-60VD-277-1
Item Number	CLT-40012
Color	White

PRODUCT SPECIFICATION

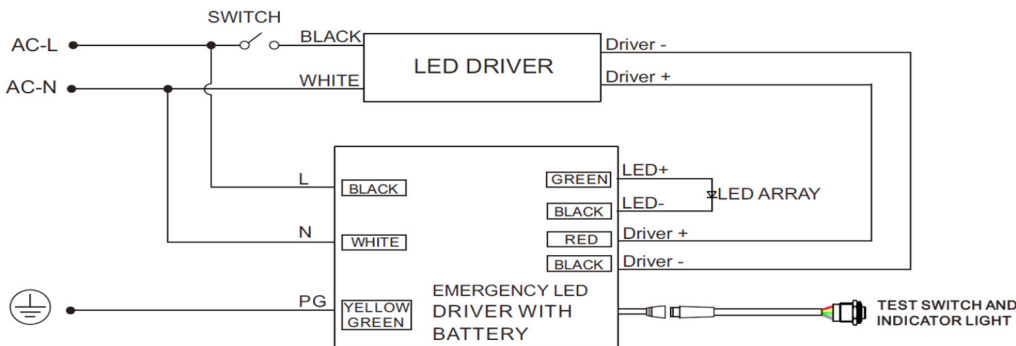
Input Voltage	120-277 Vac
Output Current	60mA (@10Vdc)~400mA (@60Vdc)
Output Power	3.9W Max
Charge Current	250 mA
Charging Time	>24 Hours Minimum
Discharging Time	90 Minutes Minimum
Operation Environment Temperature	32°F ~ 122°F
Battery Life	500 cycles
Primary Application	Indoor, Commercial, Residential
Certifications	UL924, CEC (BC Mark)



DIMENSIONS

Length (in/mm)	6.4 / 163.4
Width (in/mm)	1.6 / 40.6
Height (in/mm)	1.2 / 30
Weight (lbs/oz)	0.38

WIRING DIAGRAM



AC LED driver Output current cannot exceed 1A or 50W

Cautions & Warnings: Contains Lithium-ion. Rechargeable Battery. Must be recycled or disposed properly.

Warning: To prevent high voltage from being present on LED (-) lead proper to installation, battery pack must be disconnected. Do not connect battery pack until installation is complete and AC power is supplied to the emergency driver