



Project _____
 Item # _____
 Quantity _____

SPECTRUM

Commercial Electric Countertop Thermal Circulator

Model: ESVC-28

Get sous vide cooking with the SPECTRUM THERMAL CIRCULATOR. With precise temperature control and by reducing heat fluctuations, food retains moisture, nutrition, and flavor for perfect results every time.

Standard Features

- ◆ All stainless steel construction
- ◆ Easy to use solid state digital control panel
- ◆ Wire clip on side conveniently holds lid when open
- ◆ Built-in drain valve for easy water removal
- ◆ Includes sectioned removable lifting rack to cook multiple vacuum-sealed portions
- ◆ Precise temperature accuracy: +1°F (0.5°C)
- ◆ Maximum volume capacity: 7.4 gallons (28L)
- ◆ Temperature range: 41°F to 210°F (5°-99°C)
- ◆ Timer setting range: 5 minutes – 99 hours
- ◆ LED display: Optional °F / °C, with last temperature and time memory when turned on
- ◆ One year parts and labor warranty



ESVC-28



Parts

ESVC-P2	Control Board
ESVC-P4	Fan
ESVC-P11	Filter Screen
ESVC-P13	Baffle Handle
ESVC-P14	Baffle
ESVC-P15	Steel Frame
ESVC-P16	Tank Cover
ESVC-P17	Handle Base
ESVC-P18	Handle Pipe

Options & Accessories

ESV-BH	Stainless Steel 3-Ring Bag Holder Stand
ESV-IB	Sous Vide Insulation Balls
EVPM-12	Chamber Vacuum Packaging Machine
NSP-10W	10" High Heat Nylon Mixing Paddle (400°F & BPA Free)
NS-12	12" High Heat Nylon Spoon (400°F & BPA Free)



ESV-BH



ESV-IB

For California Customers

WARNING: Cancer and Reproductive Harm - www.P65Warnings.ca.gov

Winco®, DWL International Trading, LLC

New Jersey Headquarters:
 65 Industrial Road, Lodi, NJ 07644
 Tel. 1.888.946.2682 | Fax: 1.888.946.2632

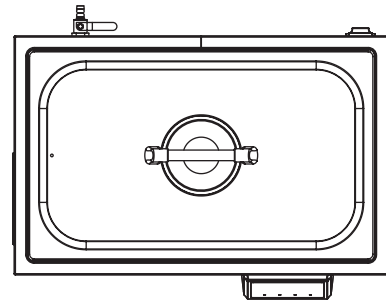
California Distribution Center
 14950-14952 Valley View Avenue, La Mirada, CA 90638
 Tel. 1.888.946.2652 | Fax: 1.562.926.5678

Florida Distribution Center
 10800 NW 103rd St. Bldg 22, Ste 11, Miami, FL 33178
 Tel. 1.786.536.4656

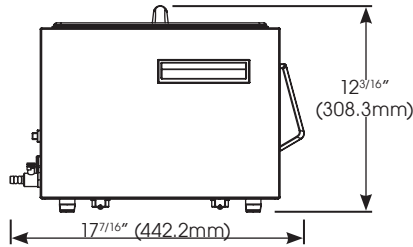
www.wincous.com | equipsales@wincous.com



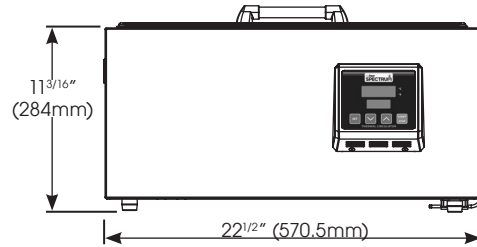
**Commercial Electric
Countertop Thermal Circulator**
Model: ESVC-28



TOP VIEW



SIDE VIEW



FRONT VIEW

Specifications

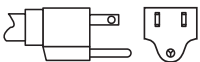
MODEL	DESCRIPTION	OVERALL DIMENSIONS			VOLTS	HZ	WATTS	AMPS	PLUG	SHIP WEIGHT
		LENGTH	DEPTH	HEIGHT						
ESVC-28	Thermal Circulator	22-1/2" (570.5mm)	17-7/16" (442.2mm)	12-3/16" (308.3mm)	110-120	60	1800	15	NEMA 5-15P	18.74 lbs (8.5 kgs)

Cord Location

On back right side

Plug Configuration

NEMA 5-15P



NOTE: Optional NEMA 5-20P plug available for Canada – #ESVC-P17 (sold separately)

Product Specs

Spectrum Commercial Electric Thermal Circulator

The Commercial Electric Countertop Thermal Circulator model ESVC-28 as manufactured by Winco®, Lodi, NJ 07644.

The Commercial Electric Thermal Circulator shall be rated at 1800 Watts, 120V-60Hz.

ESVC-28 shall be used with a maximum volume capacity of 7.4 gallons (28L). Wire clip on the side conveniently holds lid when open. Built-in faucet and drain allow easy water removal. Sectioned tray included to cook multiple vacuum-sealed portions. Controls and display have precise temperature accuracy of +1°F (0.5°C). Temperature range of 41°F to 210°F (5°C to 99°C). Timer setting range of 5 minutes to 99 hours, and LED display with optional °F / °C, with last temperature and time memory when turned on.

The optional stainless steel 3-Ring Bag Holder Stand (ESV-BH) conveniently holds various sizes of vacuum-packing bags open for easy filling.

The optional Insulation Balls (ESV-IB) add insulation to any open cooking bath, effectively reducing heat loss and evaporation.

ETL listed for safety (Canada & US) and sanitation.

Warranty consists of one year parts and labor.

Winco®, DWL International Trading, LLC

www.wincous.com | equipmentsales@wincous.com

New Jersey Headquarters:
65 Industrial Road, Lodi, NJ 07644
Tel. 1.888.946.2682 | Fax: 1.888.946.2632

California Distribution Center
14950-14952 Valley View Avenue, La Mirada, CA 90638
Tel. 1.888.946.2652 | Fax: 1.562.926.5678

Florida Distribution Center
10800 NW 103rd St. Bldg 22, Ste 11, Miami, FL 33178
Tel. 1.786.536.4656