

## ROLL-THRU WARMING CABINET

HIS-1D-1-PT  
HIS-2D-1-PT

HISA-1D-1-PT  
HISA-2D-1-PT

- 3 Year Parts & Labor Warranty Plus an Additional  
2 Year Compressor Warranty

- Exclusive 2 Year Warranty on Santoprene Door Gaskets

# VICTORY

## ULTRASPEC™

### STANDARD FEATURES

- Full Electronic Control System
- Adjustable Electronic Temp Control from 80°F to 180°F
- Built-in, Adjustable Humidity Control Vent
- Safety Shielded Strip Type Heating Elements
- Externally Mounted Blower Maintains Even Temperatures
- Foamed-in-Place Polyurethane Insulation
- Heavy Duty Cylinder Locks
- Santoprene Door Gaskets with Exclusive 2 Year Warranty
- Self-Closing Doors with 120° Hold Open Feature
- Cam-Lift Hinges, Guaranteed for Life
- Ergonomically Correct Door Handles, Guaranteed for Life
- 6" High, Adjustable Stainless Steel Legs
- A Series has 6" High Standard Black Legs
- Proximity Door Switch Activates Interior Incandescent Lighting
- One Piece, Snap-In Magnetic Door Gasket(s)
- Stainless Steel Interior Door Liner
- Three (3) Chrome Plated Wire Shelves per Cabinet Section
- 10' Cord & Plug Standard



HIS-2D-1-PT

### OPTIONS & ACCESSORIES

- 6" or 3" Overall Height Casters (Set of 4)
- Correctional Facilities Options
- Stainless Steel Shelves
- 6" Stainless Steel Kick Plate
- Exterior Laminate Décor
- Finished Back with Rear Grille
- Stainless Steel Case Back and Shroud
- Optional Voltages (single section only)



## CABINET CONSTRUCTION

The cabinet front and doors are constructed of heavy gauge, polished stainless steel to maintain an attractive appearance after years of heavy use. Polyurethane foam insulation throughout ensures the ultimate in energy efficiency.

## DOOR CONSTRUCTION

The doors are heavy gauge, polished stainless steel with a stainless steel interior liner. Each door is provided with a cylinder lock and ergonomically correct vertical handle. The door hinges are self-closing and have a hold-open feature at 120° which facilitates product loading. Proximity switches energize the recessed interior incandescent lighting when the door is opened.

## HEATING SYSTEM

The safety shielded, "strip type" heaters located at the bottom of the cabinet interior are precisely controlled by the V-TEMP™ electronic control with a temperature range from 80°F to 180°F. An externally mounted blower system ensures even temperatures throughout the cabinet interior. A built-in, adjustable humidity control vent allows the operator to maintain a moist or more dry environment.

## INTERIOR STORAGE ARRANGEMENTS

Each cabinet section is provided with three (3) heavy-duty, chrome plated wire shelves. The shelves are adjustable in one inch increments. A wide door opening allows for the use of a variety of optional pan slide configurations including 18" x 26" and 12" x 20" pans.

## ELECTRONIC CONTROL SYSTEM

The easy to use V-TEMP™ Control is provided standard with a two year parts and labor warranty. This durable, water resistant microprocessor monitors and controls the entire temperature maintenance process. It includes an ON/OFF switch located on the control face, interior light switch, LED temperature indicator in °C or °F, a HI/LO audio/visual temperature alarm, and a door ajar alarm. The control has a set point memory. Upon start up, the unit will warm up to the last temperature set point. A manager's "lock-out" feature is provided to safeguard pre-determined control settings.

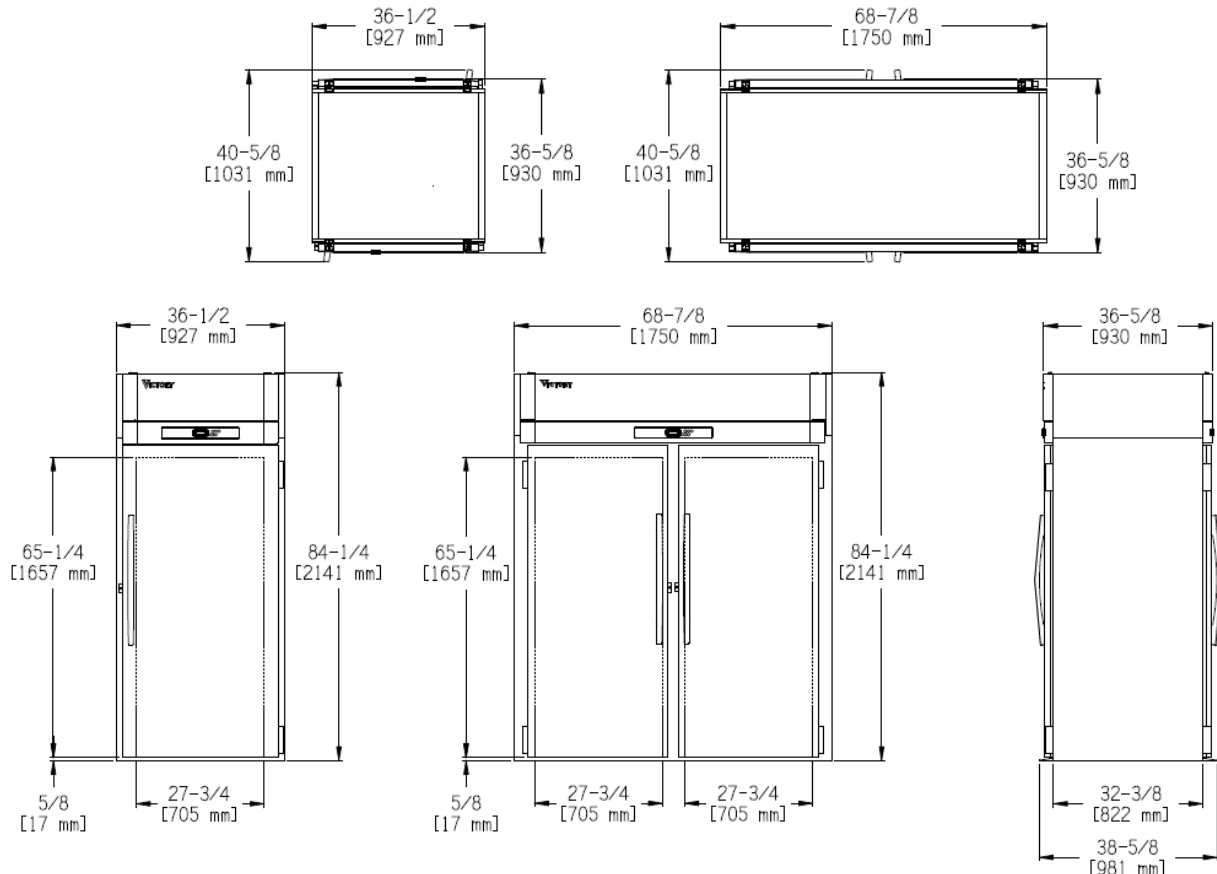
CHARACTERISTICS	1 SECTION	2 SECTION
Width, Overall (in.)	36 1/2"	68 1/8"
Depth, Overall (inc. Handles)	40 5/8"	40 5/8"
Depth, Door(s) Open 90°	98 1/8"	98 1/8"
Clear Door Width (in.)	27 3/4"	27 3/4"
Clear Full-Door Height (in.)	65 1/4"	65 1/4"
Height Overall (in.)	84 1/4"	84 1/4"
Capacity Net (cu ft)	36.2	72.4
No. Full Doors	2F	4F

## ELECTRICAL DATA

	208-240/60/1	208-240/60/1
Cabinet Voltage	208-240/60/1	208-240/60/1
Heater Watts per Section (@240V)	1500	1500
Total Wattage (Heaters & Fan @ 240V)	1500	3000
Feed Wires	2	2
NEMA Plug	6-20P	6-20P
Total Amperes	6.3	13

**NOTE:** Plug style, voltage and full load amps may vary depending on certain options selected such as optional voltages and compressor upgrades.

CRATED DIMENSIONS	HT.	WIDTH	DEPTH	FT <sup>3</sup>	LBS
One Section	88 1/4"	42	43	92.23	325
Two Section	88 1/4"	77	43	169.09	540



We reserve the right to change specifications and product design without notice. Such revisions do not entitle the buyer to corresponding changes, improvements, additions or replacements for previously purchased equipment. Dimensional tolerances +/- 1/4". Metric dimensions (MM)