

Project: _____	AIA# _____
Item #: _____ Qty: _____	SIS# _____
Model #: _____	

Soda Gun Holders

Patent Pending

SHA-4, SHA-4-ED, SHA-6, SHA-6-ED, SHB-4, SHB-4-ED, SHB-6, SHB-6-ED, SHP-4, SHP-4-ED, SHP-6, SHP-6-ED

Standard Features

- All stainless steel construction
- Designed to house the manifold of Wunder-Bar® or Schroeder America™ 8 to 14 button soda guns
- Includes integral drip pan with radius corners for easy cleaning
- Built-in holder for soda gun
- Top cover is removable for access to the soda manifold
- Allows you to dictate the soda gun location
- Eliminates the need for tubing bundles above the work surface
- Designed to mount to at least one other piece of underbar equipment (there is no provision for leg mounting)
- Includes camlock in backsplash for mounting to adjacent underbar
- Extra deep “-ED” models available to align with extra-deep style ice bins

Specifications

Drain

- 1/2" welded tailpiece

Materials

- All stainless steel construction



Intertek

4004503

Conforms to ANSI/NSF STD 2

Installation Details

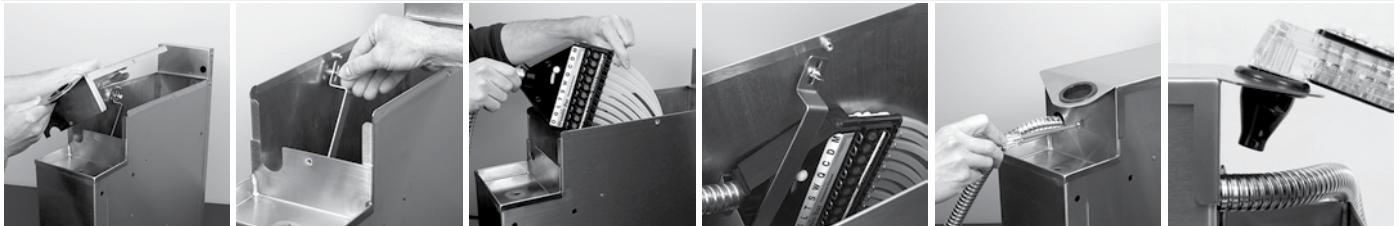


Figure 1

Figure 2

Figure 3

Figure 4

Figure 5

Figure 6

1. Remove three cover screws and the cover (Figure 1).
2. Remove the manifold containment bracket by removing the thumbscrew (Figure 2).
3. Plumb drip pan drain, which may be more convenient to do while the cover is removed.
4. Connect soda tubing from inside housing to soda gun manifold (Figure 3).
5. Insert manifold and lines into the housing while placing the soda gun line in the front cut-out. Secure the manifold in place with the bracket and thumbscrew removed in step two (Figure 4).
6. Reattach cover with the three screws removed in step one (Figure 5).
7. Set the soda gun in the holder (Figure 6).
8. Installation complete.

To view underbar installation instructions, please visit: http://www.glastender.com/PDF/F-750-165_Underbar_Installation_Instructions.pdf

To view cleaning and care instructions, please visit: http://www.glastender.com/PDF/F-423-011_ss_clean_care.pdf

Glastender, Inc. • 5400 N Michigan Rd • Saginaw, MI • 48604-9780
 989.752.4275 • 800.748.0423 • Fax 989.752.4444
www.glastender.com

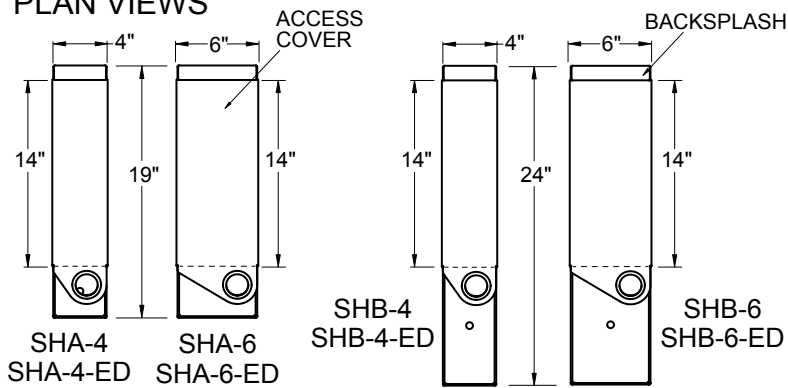
Approval/Notes:

Specifications subject to change without notice. For current specifications please visit our website.

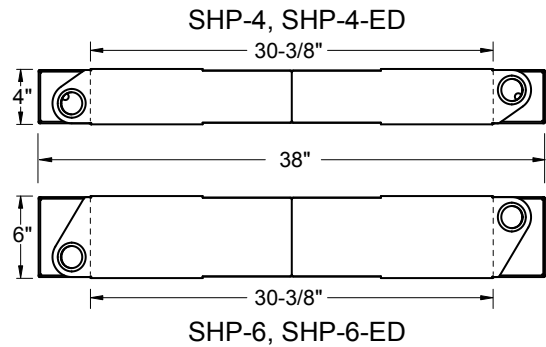
Soda Gun Holders

Dimensional Information

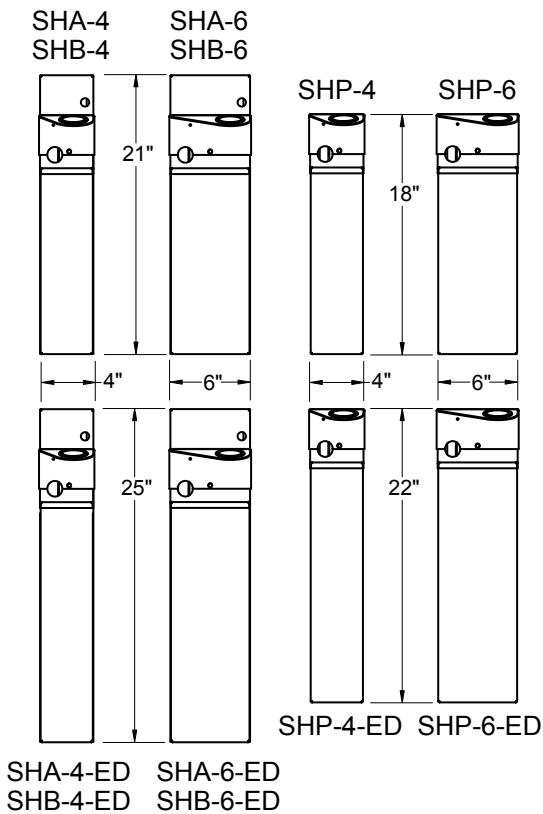
PLAN VIEWS



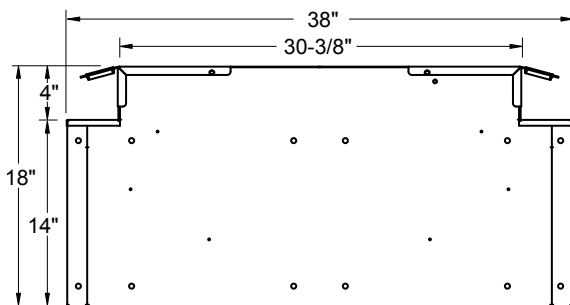
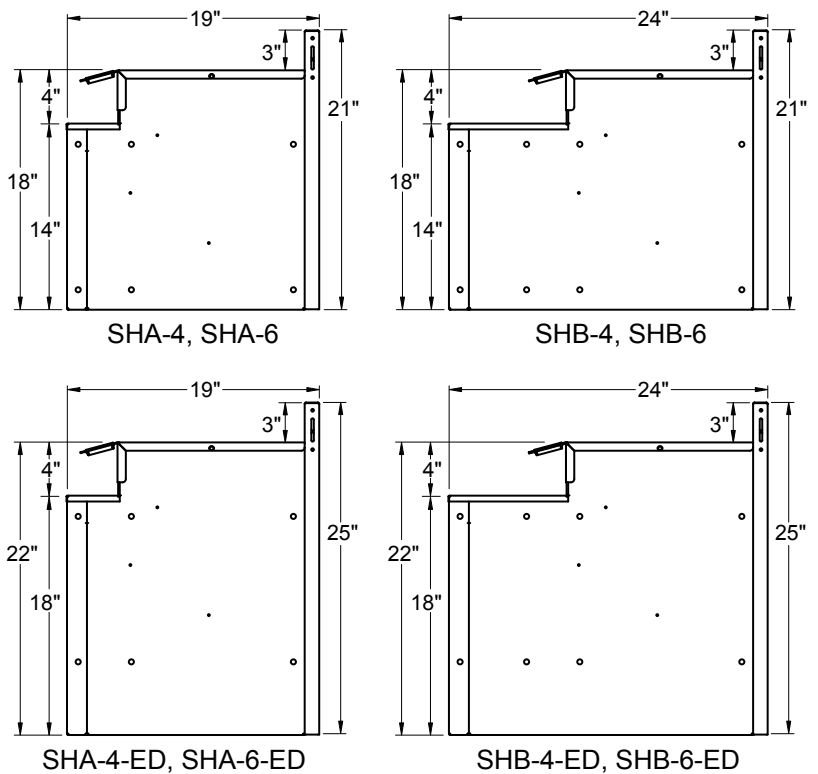
NOTE: Soda Gun is not included



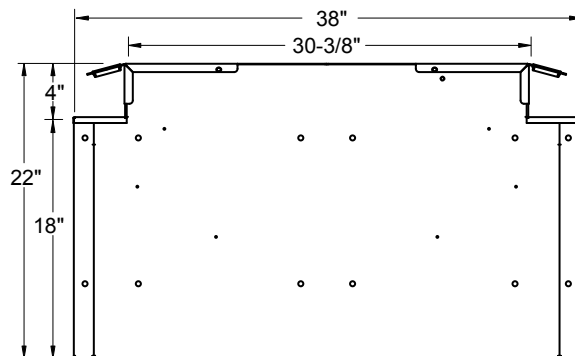
FRONT VIEWS



SIDE ELEVATIONS



SHP-4, SHP-6



SHP-4-ED, SHP-6-ED



5400 N Michigan Rd • Saginaw, MI • 48604-9780
 989.752.4275 • 800.748.0423 • Fax 989.752.4444
www.glastender.com