

JOB _____ ITEM # _____ QTY # _____

MECHANICALLY REFRIGERATED-ICE COOLED, EXTRA-DEEP REFRIGERATED AND ICE ONLY UNITS



"BCM" Extra Deep Mechanically Refrigerated

These Mechanically Refrigerated-Ice Cooled (CM models), Extra Deep Refrigerated (BCM models) and Ice Only (CI models) Multiple Cold Drop-in units are ideal for salad bar and dessert applications.

STANDARD FEATURES

- ◆ 14-gauge stainless steel top with a feathered down edge on all sides for dropping into countertop
- ◆ Well is fabricated of 20-gauge stainless steel and is 5" deep, Extra deep models (BCM) have a well depth of 9-7/16"
- ◆ Well is insulated with 1" fiberglass around sides and 2" thick fiberglass on bottom
- ◆ A 1" I.D. drain is built into the bottom of the well with shut-off valve
- ◆ Well is completely enclosed in a galvanized sheet housing, attached to framework

MODEL NUMBER

ICE PAN

- 2-CIDI
- 3-CIDI
- 4-CIDI
- 5-CIDI
- 6-CIDI

MECHANICALLY COOLED (CM)

- 2-CMDI
- 3-CMDI
- 4-CMDI
- 5-CMDI
- 6-CMDI

EXTRA DEEP MECHANICALLY COOLED (BCM) NSF/ANSI-7

- 2-BCMDI
- 3-BCMDI
- 4-BCMDI
- 5-BCMDI
- 6-BCMDI

ELECTRICAL

- ◆ Unit is 120 volt single phase
- ◆ A junction box is provided for field wiring. These units are designed to be mounted in all metal fixtures

REFRIGERATION SYSTEM- CM & BCM UNITS

- ◆ CM units - Refrigeration coils are copper tubing mounted to the bottom of the well
- ◆ BCM units - Refrigeration coils are copper tubing mounted to the sides of the well
- ◆ 1/3 horsepower fan cooled condensing unit with a capillary tube and thermostat for control
- ◆ Environmentally safe 134A refrigerant

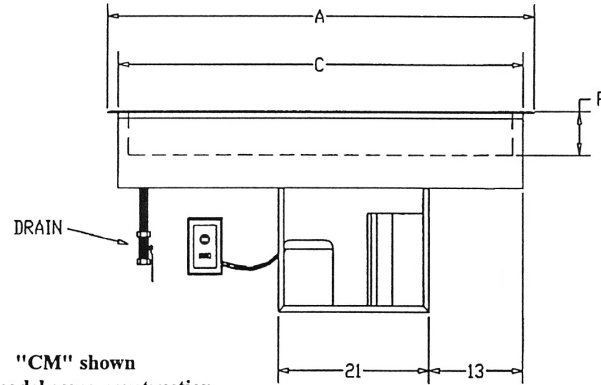
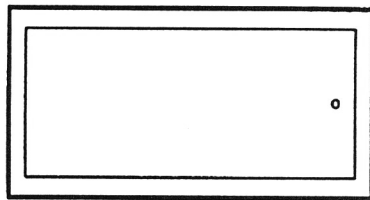
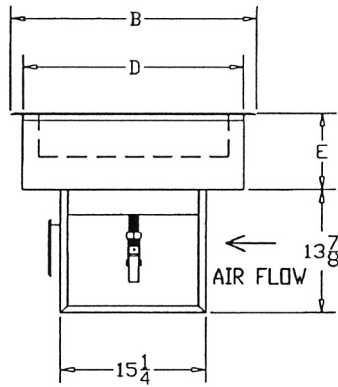
NSF/ANSI STANDARD 7

Mechanically Refrigerated/Ice Cooled (CM) and Ice Only (CI) units are designed to be used with ice. Mechanical refrigeration is added to retard the melting of the ice. These units have NOT been performance tested for the storage of potentially hazardous foods.

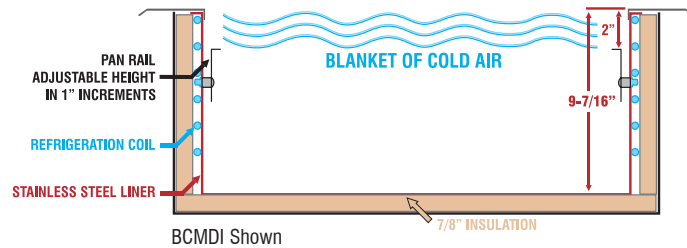
BCM units are listed with CSA in NSF/ANSI Standard 7 for design and construction and has been performance tested for the storage of potentially hazardous foods. The performance test criteria is holding a food-like media at or below 41°F without any freezing for four hours at 86°F ambient room temperature.

WARRANTY

- ◆ One year parts and labor. Warranty is detailed on inside front cover of the price list.



"CM" shown
"CI" model same construction
less refrigeration unit



Type	Cutout Dimensions	(A)	(B)	(C)	(D)	(E)	Well Depth (F)	Amperage	Voltage	REFRIGERATED (CM)		NON-REFRIGERATED (CI)	
										Part #	Ship Wt.(lbs)	Part #	Ship Wt.(lbs)
2-Well	29-15/16" x 24-9/16"	31-5/8"	25-3/4"	29"	23-1/4"	8"	5"	6.3 AMPS	120V	2-CMDI	135	2-CIDI	90
3-Well	43-15/16" x 24-9/16"	45-5/8"	25-3/4"	43"	23-1/4"	8"	5"	6.3 AMPS	120V	3-CMDI	155	3-CIDI	110
4-Well	57-15/16" x 24-9/16"	59-5/8"	25-3/4"	57"	23-1/4"	8"	5"	6.3 AMPS	120V	4-CMDI	175	4-CIDI	130
5-Well	71-15/16" x 24-9/16"	73-5/8"	25-3/4"	71"	23-1/4"	8"	5"	6.3 AMPS	120V	5-CMDI	195	5-CIDI	150
6-Well	85-15/16" x 24-9/16"	87-7/8"	25-3/4"	85"	23-1/4"	8"	5"	6.3 AMPS	120V	6-CMDI	215	6-CIDI	170

Type	Cutout Dimensions	(A)	(B)	(C)	(D)	(E)	Well Depth (F)	Amperage	Voltage	EXTRA DEEP REFRIGERATED (BCM)	
										Part #	Ship Wt.(lbs)
2-Well	30-5/8" x 26-1/16"	32"	28"	30"	25-9/16"	11"	9-7/16"	6.3 AMPS	120V	2-BCMDI	230
3-Well	44-5/8" x 26-1/16"	46"	28"	44"	25-9/16"	11"	9-7/16"	6.3 AMPS	120V	3-BCMDI	250
4-Well	58-5/8" x 26-1/16"	60"	28"	58"	25-9/16"	11"	9-7/16"	6.3 AMPS	120V	4-BCMDI	275
5-Well	72-5/8" x 26-1/16"	74"	28"	72"	25-9/16"	11"	9-7/16"	6.3 AMPS	120V	5-BCMDI	290
6-Well	86-5/8" x 26-1/16"	88"	28"	86"	25-9/16"	11"	9-7/16"	6.3 AMPS	120V	6-BCMDI	310

D-7 SPEC

PIPER PRODUCTS
BUILT TO LAST
www.piperonline.net

300 S. 84th Avenue
Wausau, WI 54401
Phone: 800-544-3057
Fax: 715-842-3125

LIMITED WARRANTY: PIPER PRODUCTS warrants to the original purchaser parts and labor for a period of twelve (12) months from the date of purchase. See manufacturer's complete warranty for details.

It is our policy to build equipment which is design certified by companies that have been accredited at the Federal Level by the Occupational Safety and Health Agency (OSHA) and ANSI as a National Recognized Testing Laboratory. These companies include CSA International, Underwriters Laboratories, and the National Sanitation Foundation. However, a continuing program of product improvement makes it necessary to submit new models to the agencies as they are developed. Consequently, all models may not bear the appropriate labels at all times.

We reserve the right to change specifications and product design without notice. Such revisions do not entitle buyer to corresponding changes, improvements, additions or replacements for previously purchased equipment. Information is not for design purposes.