

# Mobile Self-Leveling Dispensers

## Open Tubular Style - Uneated



Model 7209

### Economical Tubular Frame Design

- High-strength easy-to-clean stainless steel tubular frame
- Easy field adjustment for plate height, no tools required
- Easy-Glide™ design provides quiet, non-stick operation
- 4" Lake-Glide® casters - all swivel, 2 each with brake
- Height adjustment springs detach and attach from inside the dispenser; no need to remove dispenser from mobile unit



### Specifications

**Mobile Frame:** Mobile frame shall be of 18-gauge wall stainless steel 1" tubing. Tubing frame shall be of "U-frame" design with bottom tie bars for extra strength. Units shall have 18-gauge stainless steel top and bottom shelves to provide dispenser tube stability. Top and bottom shelves shall be bolted to tubular frame. Casters shall be 4" (102 mm) diameter extra-load swivel stem type (two with locking brake). Unit shall be NSF listed.

**Dispenser Tubes:** Dispenser tubes shall be of welded stainless steel construction and shall drop into mobile unit top and bottom shelf openings. Dispensers shall be fully enclosed in 22-gauge stainless steel, shall hang from top shelf opening by an 18-gauge flange ring, and feature three each 22-gauge vertical side supports welded to 20-gauge bottom plate. Self-leveling dish carriage shall be of welded stainless steel construction and shall travel vertically in dispenser tube with nylon guides for smooth operation. Carriage shall have 22-gauge removable dish platform. Dispensers shall feature flange mounted perimeter extension springs, which are detachable from the dish carriage without tools to provide adjustment for different weight dishes. Each dispenser shall have a vertical stacking capacity of 25" (635 mm).

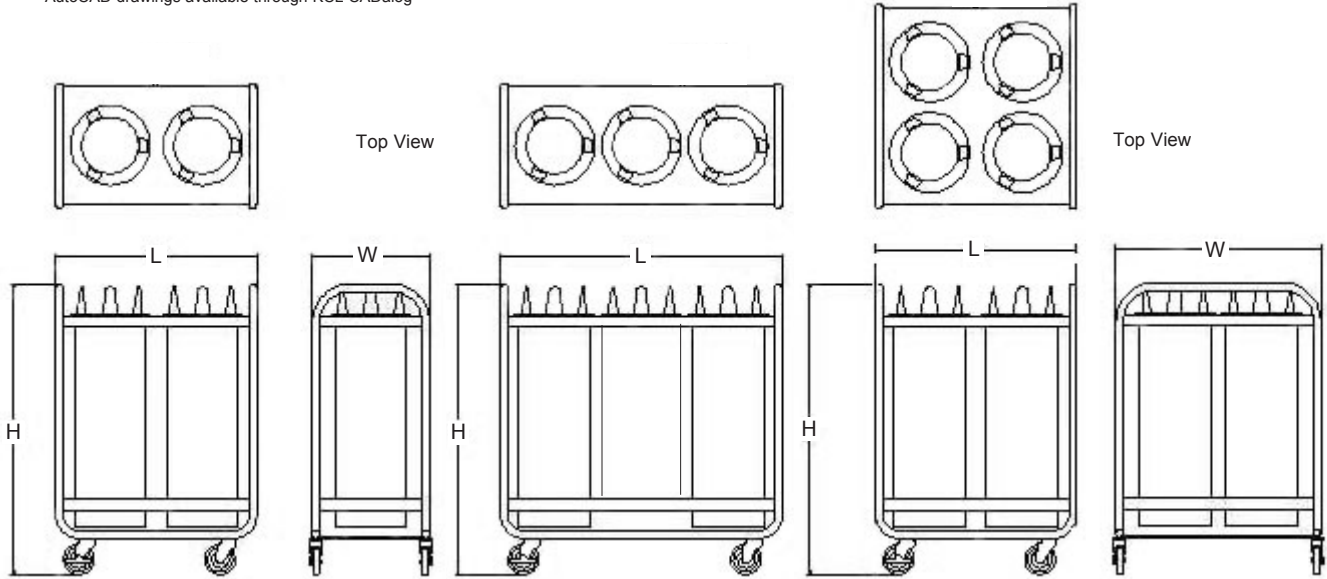
Spec. #

AIA #

# Mobile Self-Leveling Dispensers

## Open Tubular Style - Unheated

AutoCAD drawings available through KCL CADalog



### Model Information

#### Two Stack Models

Model	Accommodates Plate Size	Dimensions			Ship Weight
		W	L	H	
7200	Up to 5" (127)	17 <sup>3</sup> / <sub>4</sub> " (451)	35 <sup>1</sup> / <sub>2</sub> " 902	38 <sup>5</sup> / <sub>16</sub> " 989	65 (29.5 kg)
7205	5-1/8" to 5-3/4" (130 to 146)	17 <sup>3</sup> / <sub>4</sub> " (451)	35 <sup>1</sup> / <sub>2</sub> " 902	38 <sup>5</sup> / <sub>16</sub> " 989	67 (30.4 kg)
7206	5-7/8" to 6-1/2" (149 to 165)	17 <sup>3</sup> / <sub>4</sub> " (451)	35 <sup>1</sup> / <sub>2</sub> " 902	38 <sup>5</sup> / <sub>16</sub> " 989	68 (30.8 kg)
7207	6-5/8" to 7-1/4" (168 to 184)	17 <sup>3</sup> / <sub>4</sub> " (451)	35 <sup>1</sup> / <sub>2</sub> " 902	38 <sup>5</sup> / <sub>16</sub> " 989	70 (31.8 kg)
7208	7-3/8" to 8-1/8" (187 to 206)	17 <sup>3</sup> / <sub>4</sub> " (451)	35 <sup>1</sup> / <sub>2</sub> " 902	38 <sup>5</sup> / <sub>16</sub> " 989	74 (33.6 kg)
7209	8-1/4" to 9-1/8" (210 to 232)	17 <sup>3</sup> / <sub>4</sub> " (451)	35 <sup>1</sup> / <sub>2</sub> " 902	38 <sup>5</sup> / <sub>16</sub> " 989	77 (34.9 kg)
7210	9-1/4" to 10-1/8" (235 to 257)	17 <sup>3</sup> / <sub>4</sub> " (451)	35 <sup>1</sup> / <sub>2</sub> " 902	38 <sup>5</sup> / <sub>16</sub> " 989	80 (36.3 kg)
7211	10-1/4" to 11" (260 to 279)	17 <sup>3</sup> / <sub>4</sub> " (451)	35 <sup>1</sup> / <sub>2</sub> " 902	38 <sup>5</sup> / <sub>16</sub> " 989	85 (38.3 kg)
7212	11-1/4" to 12-1/4" (286 to 311)	17 <sup>3</sup> / <sub>4</sub> " (451)	35 <sup>1</sup> / <sub>2</sub> " 902	38 <sup>5</sup> / <sub>16</sub> " 989	90 (40.8 kg)

Measurements in ( ) denote metric millimeters, unless otherwise specified.

#### Three Stack Models

Model	Accommodates Plate Size	Dimensions			Ship Weight
		W	L	H	
7300	Up to 5" (127)	17 <sup>3</sup> / <sub>4</sub> " (451)	52 <sup>1</sup> / <sub>2</sub> " 1334	38 <sup>5</sup> / <sub>16</sub> " 989	90 (40.8 kg)
7305	5-1/8" to 5-3/4" (130 to 146)	17 <sup>3</sup> / <sub>4</sub> " (451)	52 <sup>1</sup> / <sub>2</sub> " 1334	38 <sup>5</sup> / <sub>16</sub> " 989	92 (41.7 kg)
7306	5-7/8" to 6-1/2" (149 to 165)	17 <sup>3</sup> / <sub>4</sub> " (451)	52 <sup>1</sup> / <sub>2</sub> " 1334	38 <sup>5</sup> / <sub>16</sub> " 989	95 (43.1 kg)
7307	6-5/8" to 7-1/4" (168 to 184)	17 <sup>3</sup> / <sub>4</sub> " (451)	52 <sup>1</sup> / <sub>2</sub> " 1334	38 <sup>5</sup> / <sub>16</sub> " 989	97 (44.0 kg)
7308	7-3/8" to 8-1/8" (187 to 206)	17 <sup>3</sup> / <sub>4</sub> " (451)	52 <sup>1</sup> / <sub>2</sub> " 1334	38 <sup>5</sup> / <sub>16</sub> " 989	102 (46.3 kg)
7309	8-1/4" to 9-1/8" (210 to 232)	17 <sup>3</sup> / <sub>4</sub> " (451)	52 <sup>1</sup> / <sub>2</sub> " 1334	38 <sup>5</sup> / <sub>16</sub> " 989	106 (48.1 kg)
7310	9-1/4" to 10-1/8" (235 to 257)	17 <sup>3</sup> / <sub>4</sub> " (451)	52 <sup>1</sup> / <sub>2</sub> " 1334	38 <sup>5</sup> / <sub>16</sub> " 989	110 (49.9 kg)

#### Four Stack Models

Model	Accommodates Plate Size	Dimensions			Ship Weight
		W	L	H	
7400	Up to 5" (127)	31" (787)	31" 787	38 <sup>5</sup> / <sub>16</sub> " 989	102 (46.3 kg)
7405	5-1/8" to 5-3/4" (130 to 146)	31" (787)	31" 787	38 <sup>5</sup> / <sub>16</sub> " 989	106 (48.1 kg)
7406	5-7/8" to 6-1/2" (149 to 165)	31" (787)	31" 787	38 <sup>5</sup> / <sub>16</sub> " 989	107 (48.5 kg)
7407	6-5/8" to 7-1/4" (168 to 184)	31" (787)	31" 787	38 <sup>5</sup> / <sub>16</sub> " 989	108 (49.0 kg)
7408	7-3/8" to 8-1/8" (187 to 206)	31" (787)	31" 787	38 <sup>5</sup> / <sub>16</sub> " 989	130 (59.0 kg)
7409	8-1/4" to 9-1/8" (210 to 232)	31" (787)	31" 787	38 <sup>5</sup> / <sub>16</sub> " 989	135 (61.2 kg)
7410	9-1/4" to 10-1/8" (235 to 257)	31" (787)	31" 787	38 <sup>5</sup> / <sub>16</sub> " 989	140 (63.5 kg)

#### Options:

- Stainless steel dispenser covers
- Round corner bumpers (set of four)



Lakeside Manufacturing, Inc.

4900 West Electric Avenue • West Milwaukee, WI 53219 U.S.A.  
800-558-8565 • 414-902-6400 • Fax 414-902-6446 • www.eLakeside.com