

Technical data sheet for

## E33D5 ON THE SK33 STAND

Half Size Digital / Electric Convection Oven  
on a Stainless Steel Stand



E33D5 OVEN



### E33D5

Unit shall be a Moffat electrically heated Turbofan convection oven E.T.L. listed and NSF-4 listed. The oven shall have a one piece porcelain enameled oven chamber, stainless exterior top and sides. The oven shall have a vented safe touch side hinged door with slam shut latching and pendulum operation door handle. Oven shall have capacity for 5 half size sheet pans or 5 12" x 20" steam pans. The oven shall be controlled by an electronic control having separate digital displays and adjusting knobs for time and temperature functions. The oven control shall allow both manual and programmed (20 programs) operating modes with programmable moisture injection, 2 speed oven fan, and 3 stage cooking. A core temperature probe M236060 is optional. The oven shall include dual halogen oven lamps. The oven shall be able to be bench mounted on 3" feet or mounted on oven stand model SK33. Unit shall be supplied in 100% recyclable shipping packaging. This unit shall be Energy Star certified.

### SK33

Unit shall be a Moffat Turbofan stainless steel oven stand NSF-4 listed. The stand shall be constructed from stainless steel tube with castors, with front castors having dual swivel and wheel locks. It shall be fitted with 5 tray runners suitable for up to 5 half size sheet pans or 5 12" x 20" steam pans. The stand shall be fully compatible with, and support, Turbofan Convection Oven models E33D5 and E33T5. Unit shall be supplied in 100% recyclable shipping packaging.

### STANDARD FEATURES

- 5 half size sheet pan capacity
- 5 12" x 20" hotel pan capacity
- 3 1/2" / 85mm tray spacing
- Compact 24" / 610mm width
- Digital display Time and Temperature Controls
- Large easy view 3/4" / 20mm high displays
- Electronic thermostat control
- Electronic timer with countdown or time count modes
- Manual mode and Program mode
- 20 programs with 3 stage cooking and stage end alarms
- Core Probe program cooking (optional Core Probe Kit)
- Moisture injection mode (5 levels) and manual injection
- 2 speed bi-directional reversing fan system
- 5.8kW heating power
- Safe-Touch vented side hinged door
- Slam shut door latch
- Pendulum operation door handle
- Porcelain enameled oven chamber
- Plug-in continuous oven door seal
- Dual halogen oven lamps
- Anti-skid 2" / 50mm dia. 3" / 76mm high adjustable stainless steel feet
- 100% recyclable packaging

### ACCESSORIES

- Optional M236060 Core Temperature Probe Kit
- Turbofan SK33 Oven Stand
- DSK33 Double Stacking Kit

### E33D5 Half Size Digital / Electric Convection Oven on a Stainless Steel Stand

#### CONSTRUCTION

Porcelain enameled fully welded oven chamber  
Stainless steel front, sides and top exterior  
Stainless steel oven fan baffle and oven vent  
Removable 5 position stainless steel side racks  
Stainless steel frame side hinged door  
0.2" / 5mm thick door outer glass  
0.2" / 5mm thick low energy loss door inner glass  
Stainless steel control panel  
Aluminised coated steel base and rear panels

#### CONTROLS

Electronic controls with Digital Time and Temperature display, Manual or Program modes  
Large ¾" / 20mm high LED displays  
Two individual time and temperature setting control knobs  
ON/OFF and Oven Lights key  
Fan LO speed key  
Timer Start / Stop key  
Moisture Injection key (5 moisture levels)  
Programs select key  
Actual temperature display key  
Adjustable buzzer / alarm volume  
Thermostat range 120-500°F  
Timer range from 180 minutes in countdown mode  
Timer range up to 999 minutes in time count mode for holding, slow cooking  
Optional Core Probe temperature range 122-194°F / 50-90°C  
Over-temperature safety cut-out

#### CLEANING

Stainless steel top and side exterior panels  
Porcelain enameled oven chamber  
Fully removable stainless steel oven side racks  
Removable stainless steel oven fan baffle  
Easy clean door system with hinge out door inner glass (no tools required)  
Removable plug-in oven door seal (no tools required)  
3" / 76mm high stainless steel feet for easy access underside

#### SPECIFICATIONS

**Electrical Requirements**  
208V, 60Hz, 1P+N+E, 5.8kW, 27.8A  
220-240V, 60Hz, 1P+N+E, 6.0kW, 25A  
No cordset supplied

#### Water Requirements(optional)

Cold water connection ¾" GHT male  
80psi maximum inlet pressure / 20psi minimum inlet pressure

#### Oven Rack Dimensions

Width 13" / 330mm  
Depth 20⅞" / 530mm

#### Nett Weight (E33D5)

158lbs / 71.5kg

#### Packing Data (E33D5)

205lbs / 93kg  
Width 25¾" / 655mm  
Height 31¾" / 805mm  
Depth 32¾" / 830mm  
Volume 15.5ft³ / 0.44m³

### SK33 Stainless Steel Stand

All stainless steel welded frame oven stand for Turbofan E33D and E33T Series ovens  
5 position tray runners standard  
Welded 1½" / 38mm and 1¼" / 32mm square tube front and rear frames  
Welded rack supports/side frames  
3" / 76mm diameter swivel castors standard with 2 front castors wheel and swivel lock  
Supplied CKD for assembly on site

#### External Dimensions (SK33 Oven Stand)

Width 24" / 610mm  
Height 34⅝" / 880mm  
Depth 25⅝" / 650mm

#### Nett Weight (SK33 Oven Stand)

40lbs / 18kg

#### Packing Data (SK33 Oven Stand)

45lbs / 20.5kg  
3.53ft³ / 0.10m³  
Width 29¾" / 755mm  
Height 31¼" / 795mm  
Depth 6¼" / 160mm

#### INSTALLATION CLEARANCES

Rear 2" / 50mm  
LH Side 2" / 50mm  
RH Side\* 3" / 75mm  
\* For fixed installations a minimum of 20" / 500mm is required for service

#### CLEARANCE FROM SOURCES OF HEAT

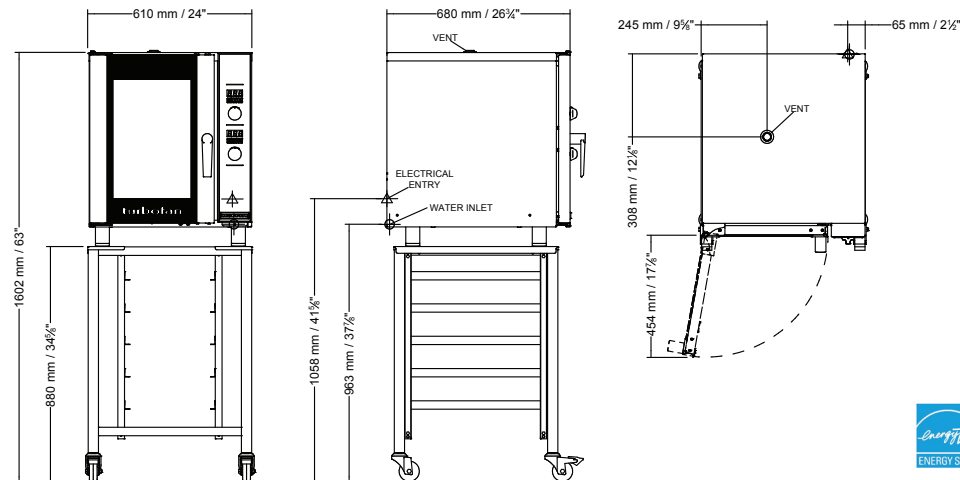
A minimum distance of 12" / 300mm from the appliance sides is required



www.moffatusa.com  
www.turbofanoven.com

U.S.A.

Moffat Inc  
3765 Champion Boulevard  
Winston-Salem  
North Carolina 27105  
Ph Toll Free 1-800-551 8795  
Ph 336-661 0257  
Fax 336-661 9546  
Email sales@moffat.com  
www.moffatusa.com



E33D5 OVEN

Manufactured by:  
Moffat Limited  
45 Illinois Drive, Izone Business Hub  
Rolleston 7675, New Zealand



Designed and manufactured by



ISO9001  
All Turbofan products are designed and manufactured by Moffat using the internationally recognised ISO9001 quality management system, covering design, manufacture and final inspection, ensuring consistent high quality at all times.

In line with policy to continually develop and improve its products, Moffat Limited reserves the right to change specifications and design without notice.

