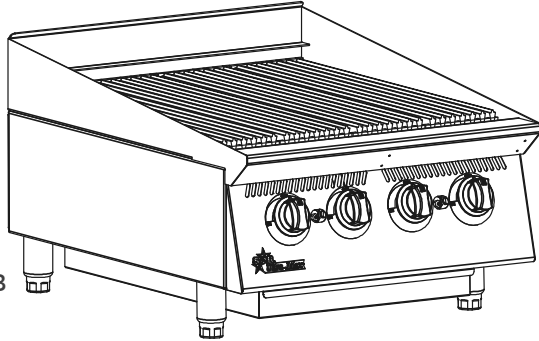




Job _____ Item No. _____

Ultra-Max® Gas Charbroilers

Lava Rock □ 8024CBB □ 8036CBB □ 8048CBB □ 8060CBB □ 8072CBB
Radiant □ 8124RCBB □ 8136RCBB □ 8148RCBB □ 8160RCBB □ 8172RCBB



8124RCBB

DESCRIPTION

Ultra-Max® radiant and lava rock charbroilers are designed to provide excellent heating and control when preparing a wide variety of products. The units are designed with durability and flexibility in mind with cast iron burners and a control knob for each six [6] inch (152 mm) section of grate. The grates have been designed to hold a high capacity of product for maximum efficiency under demanding cooking situations.

SPECIFICATIONS

The Ultra-Max® radiant and lava rock charbroilers will be constructed in the U.S.A. with a corrosion-resistant stainless steel body. The charbroilers will either use lava rocks or heavy-duty radiants to transfer heat to product. Grates will be adjustable per section to be enclined or flat. The units will have cast iron burners which will produce 20,000 BTUs per six [6] inch (152 mm) of width and will have adjustable valves and standing pilot. Units will be shipped being set up for Natural Gas or LP gas depending on how the unit is ordered. Standard gas connection is 3/4-inch N.P.T. For lava rock models, a five [5] pound (2.27 kg) bag of lava rocks will be provided for each twelve [12] inches (305 mm) of width.

WARRANTY

These units come with a two [2] year warranty for parts and labor.

FEATURES

- Grates can be adjusted independently in 6-inch sections to be flat or enclined
- 20,000 BTUs per six [6] inch (152 mm) of width with separate control of each section for maximum heat and control
- High-capacity grates for maximum capacity
- Five [5] inch (127 mm) tapered splash guard and large capacity water pan for easy cleanup
- Cast iron burners for increased durability
- Cool-to-the-touch stainless steel bullnose protects knobs and keeps work area comfortable
- Heavy-duty metal knobs look great and are designed to last

OPTIONS & ACCESSORIES

- Radiant [81xx-Series] or lava rock [80xx-Series] heating using natural gas or propane [LP] gas
- Replacement lava rocks [80xx-series only]
- Seven [7] inch (178 mm) extended plate shelf
- Equipment stand

CERTIFICATIONS



STAR MANUFACTURING INTERNATIONAL INC.
265 Hobson Street • Smithville, Tennessee 37166
Telephone 888 356 5362 • Fax 314 781 5445
www.star-mfg.com



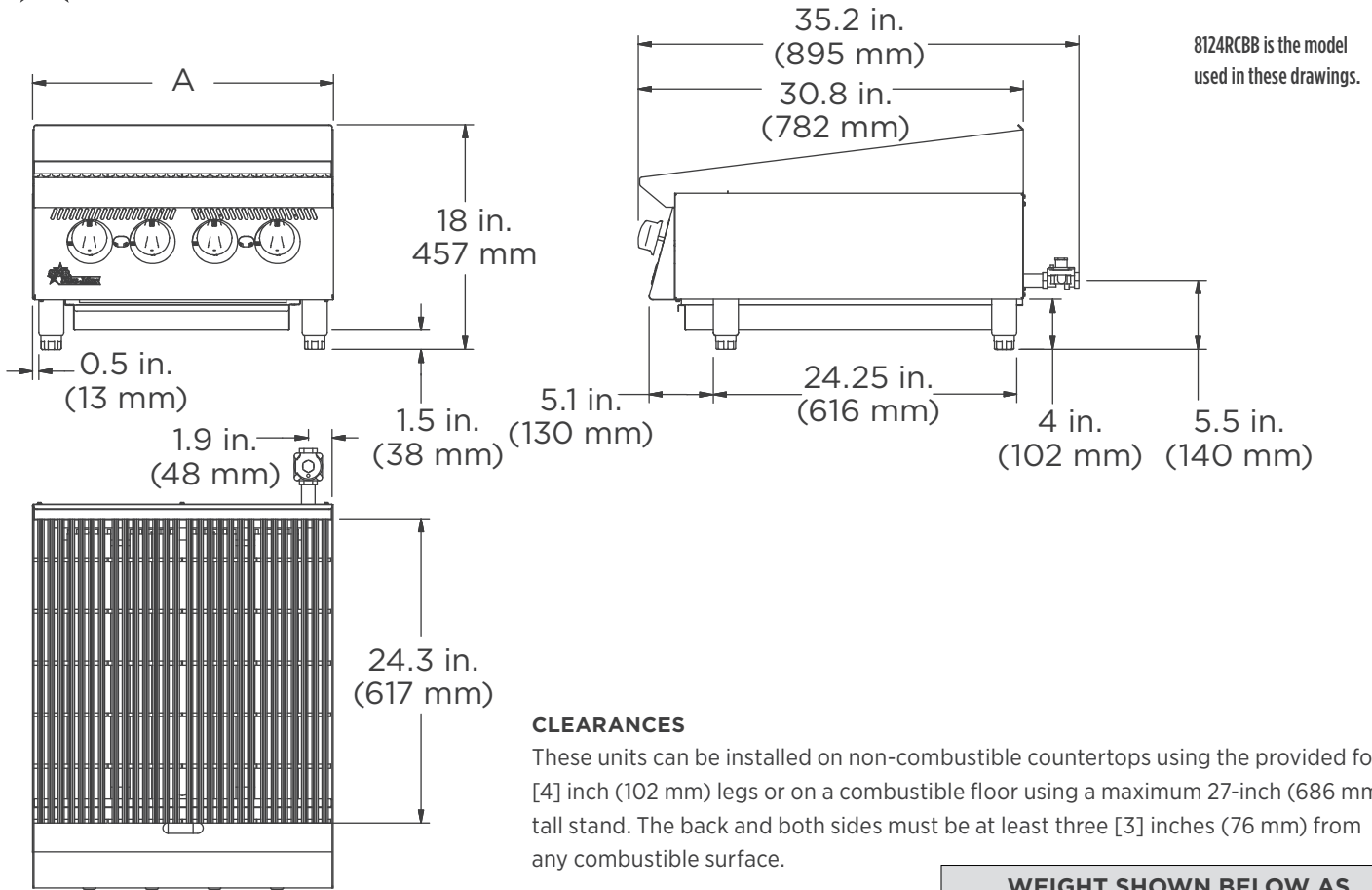
Printed in the U.S.A. • 2M-Z21284 • Rev B • 03.2018
Specifications are subject to change without notice and are not intended for installation purposes.



Ultra-Max Gas Charbroilers

Lava Rock □ 8024CBB □ 8036CBB □ 8048CBB □ 8060CBB □ 8072CBB

Radiant □ 8124RCBB □ 8136RCBB □ 8148RCBB □ 8160RCBB □ 8172RCBB



CLEARANCES

These units can be installed on non-combustible countertops using the provided four [4] inch (102 mm) legs or on a combustible floor using a maximum 27-inch (686 mm) tall stand. The back and both sides must be at least three [3] inches (76 mm) from any combustible surface.

WEIGHT SHOWN BELOW AS LAVA ROCK/RADIANT

| MODEL | HEIGHT ¹ | WIDTH [A] | DEPTH | TOTAL GRATE AREA | BTU ² | APPROX. SHIP WEIGHT | APPROX. WEIGHT INSTALLED |
|---------------------|---------------------|----------------------|----------------------|----------------------------------|------------------|------------------------------------|------------------------------------|
| 8024CBB 8124RCBB | 18 in. (457 mm) | 24 in. (610 mm) | 35.2 in. (894 mm) | 603 sq. in. (3,890 sq. cm) | 80,000 | 245 lb./243 lb. (111 kg/110 kg) | 190 lb./174 lb. (86 kg/79 kg) |
| 8036CBB 8136RCBB | 18 in. (457 mm) | 36 in. (914 mm) | 35.2 in. (894 mm) | 906 sq. in. (5,845 sq. cm) | 120,000 | 337 lb./328 lb. (153 kg/149 kg) | 252 lb./240 lb. (120 kg/109 kg) |
| 8048CBB 8148RCBB | 18 in. (457 mm) | 48 in. (1,219 mm) | 35.2 in. (894 mm) | 1,209 sq. in. (7,800 sq. cm) | 160,000 | 432 lb./399 lb. (196 kg/181 kg) | 348 lb./314 lb. (158 kg/142 kg) |
| 8060CBB 8160RCBB | 18 in. (457 mm) | 60 in. (1,524 mm) | 35.2 in. (894 mm) | 1,512 sq. in. (9,754 sq. cm) | 200,000 | 596 lb./503 lb. (270 kg/228 kg) | 428 lb./386 lb. (194kg/175 kg) |
| 8072CBB 8172RCBB | 18 in. (457 mm) | 72 in. (1,829 mm) | 35.2 in. (894 mm) | 1,815 sq. in. (11,710 sq. cm) | 240,000 | 699 lb./617 lb. (302 kg/280 kg) | 530 lb./485 lb. (240 kg/220 kg) |

¹ adjustable up 1.625 in. (41 mm) ² shipped set up for either natural gas or LP gas

Due to periodic changes in designs, methods, procedures, policies and regulations, the specifications contained in this sheet are subject to change without notice. While Star Manufacturing exercises good faith efforts to provide information that is accurate, we are not responsible for errors or omissions in information provided or conclusions reached as a result of using the specifications. By using the information provided, the user assumes all risks in connection with such use.



STAR MANUFACTURING INTERNATIONAL INC.
 265 Hobson Street • Smithville, Tennessee 37166
 Telephone 888 356 5362 • Fax 314 781 5445
 www.star-mfg.com

Printed in the U.S.A. • 2M-Z21284 • Rev B • 03.2018
 Please refer to the owner's manual for information regarding installation or use.