

EXPLODED VIEW



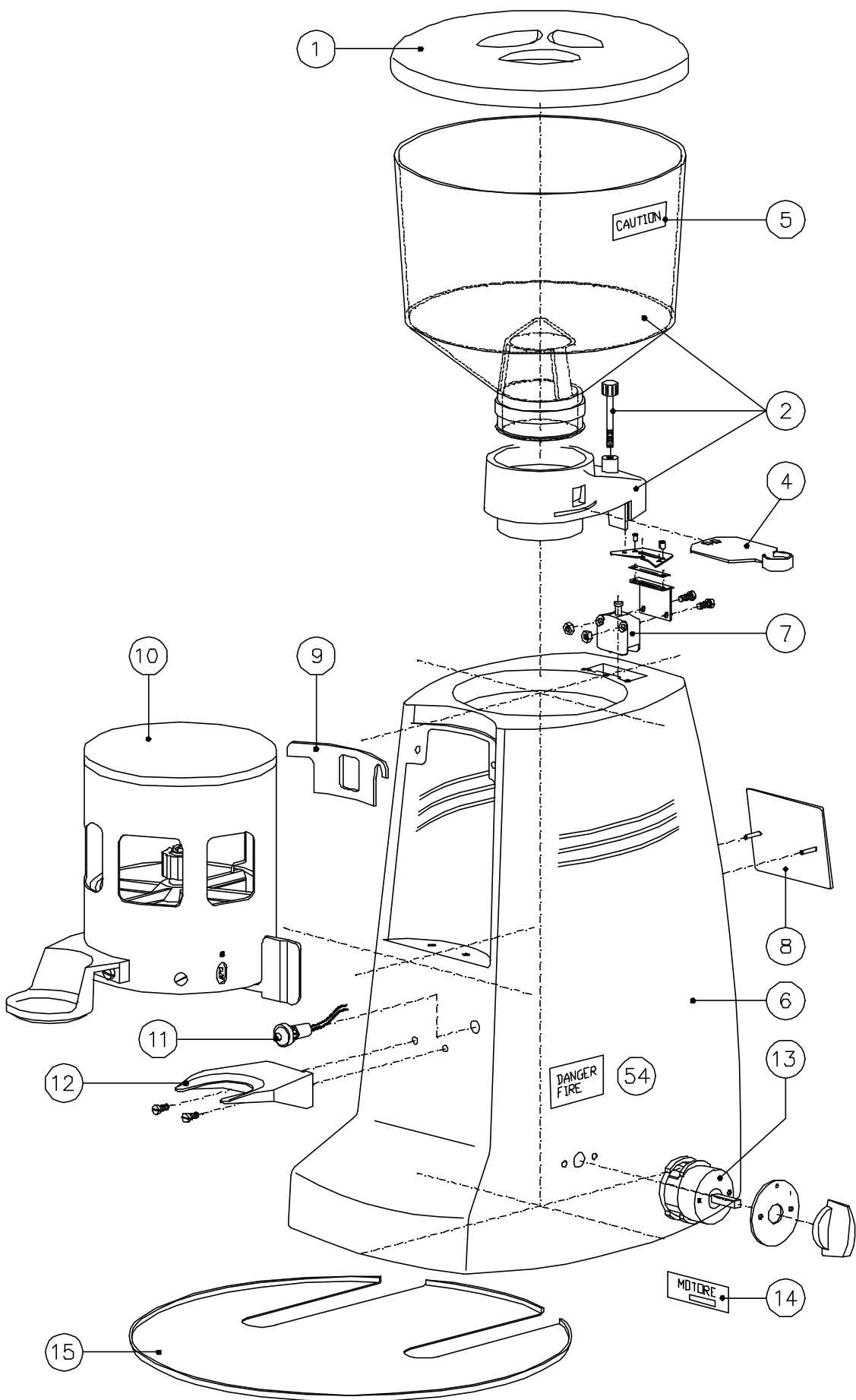
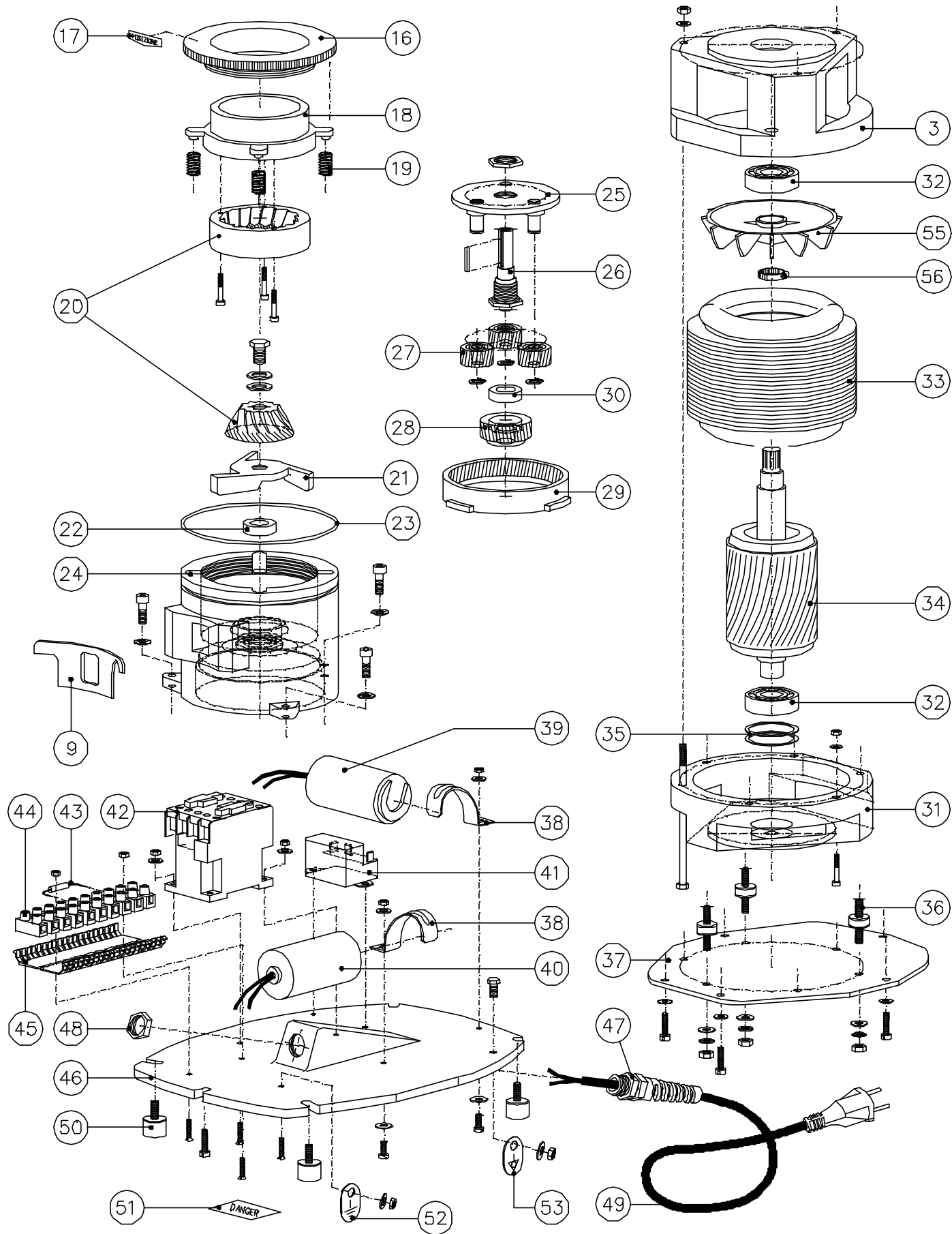
MAZZER LUIGI s.r.l.
VIA MOGLIANESE, 113
30037 GARDIGIANO DI SCORZE' (VE)
ITALIA
TEL. +39 041 5830200 r.a. - FAX +39 041 5830060
E-mail: mazz@mazz.com - <http://www.mazz.com>

Automatic GRINDER DOSER with conical grinding blades ROBUR

ESRODOS01 06/2003

No.	DESCRIPTION	CODE	Q.	NOTE
1	Hopper cover	S000COD01	1	
2	Complet hopper set	S00SCAE03	1	(hopper + adapter + pin)
3	Upper motor cap Robur	SRO0CAB03	1	
4	Robur collar locking slide	S000SEB02	1	
5	Label: "Caution Hopper"	S000ETA15	1	110V/60Hz vers.
6	Robur body	SRO0CAA04	1	
7	Safety switch (XP set)	S000INR01	1	
8	"Mazzer 4M" plate	S000TAA02	1	
9	Gasket	S000GUA01	2	
10	Automatic doser	SMJSGRA04	1	
11a	Pilot loght 230/400V, green	S000LAA06	1	230-400V/50Hz vers.
11b	Pilot light 110V, UL red	S000LAA07	1	110V/60Hz vers.
12	Fork for filterholder rest	S000FOB02 A	1	
13a	Three pole rotative switch with auxiliary phase	S000INA10 A	1	Three phase vers.
13b	Two pole rotative switch with auxiliary phase	S000INA13	1	220-240V single phase vers.
14	Motor label	-	1	
15	Drip tray	SMJ0PIB02	1	
16	Coffee grinding adjustment disk	SMJ0GHA04	1	
17	Label: "Coarse-fine / Adjustment initial position"	S000ETA03	1	
18a	Upper grinding blade holder Robur single phase	SRO0POA03	1	
18b	Upper grinding blade holder Robur three phase	SRO0POA06	1	
19	Grinding adjustment spring	SSJ0MOB01	4	
20a	Conical grinding blade set 186C single phase	FMA00186C	1	
20b	Conical grinding blade set 187C three phase	FMA00187C	1	
21	Lower grinding blade holder Robur	SRO0POA07	1	
22	Bearing 6202 2RS	S000CUA07	1	
23	Ring O.R.4475	S000ANA05	1	
24	Grinding tray for Robur	SRO0BAA01	1	
25	Reduction disc with 3 pivots	SROSDIA01	1	
26	Reduction shaft	SRO0ALA02	1	
27	Reduction satellite	S000SAT01	3	
28	Reduction planet	S000PIR01	1	
29	Reduction crown	S000COR01	1	
30	Bearing 6000 2Z	S000CUA06	1	
31	Lower motor cap Robur	SRO0CAB01	1	
32	Bearing 6204 2RS	S000CUA04	2	
33a	Robur coiled stator-single ph. 220-240V/50Hz	SROSPAE01	1	220-240V single phase vers.
33b	Robur coiled stator-three ph. 230-400V/50Hz	SROSPAE03	1	400V/50Hz three phase vers.
33c	Robur coiled stator-single ph. 110V/60Hz	SROSPAA08	1	110V/60Hz vers.
34	Robur rotor	SRO0ROA02 A	1	
35	Corrugated ring D.47	S000ANA07	2	

No.	DESCRIPTION	CODE	Q.	NOTE
36	A18x8,5 M vibration damping	S000ANV01	3	
37	Motor plate Robur	SRO0PIA01	1	
38	Capacitor locking clamp D.40	S000GRB05	1	
39a	Capacitor 16uF	S000COE03	1	220-240V single phase vers.
39c	Capacitor 60uF U.L.	S000COE09	1	110V/60Hz vers.
40a	Capacitor 20uF	S000COE04	1	Start capacitor for single phase
			1	220-240V/50Hz versions
40b	Capacitor 80uF U.L.	S000COE10	1	Start capacitor for single phase
			1	110V/60Hz versions
41a	Relè "Texas" 2CR4-170	S000DIS01	1	220-230V single phase vers.
41b	Relè "Texas" 2CR4-181	S000DIS03	1	230-240V single phase vers.
41c	Relè "Texas" 2CR4-229	S000DIS04	1	110V/60Hz vers.
42a	Contactore BF16.10 - 230V/50Hz	S000COC12	1	220-230V single phase vers.
				230V/50Hz three phase vers.
42b	Contactore BF16.10 - 240V/50Hz	S000COC14	1	240V single phase vers.
42c	Contactore BF16.10 - 380V/50Hz	S000COC13	1	400V/50Hz three phase vers.
42d	Contactore BF16.10 - 110V/60Hz	S000COC10	1	110V/60Hz vers.
43a	Load resistor 220 Kilo-ohm 2 Watt	S000REB01	1	220-240V single phase vers.
43b	Load resistor 68 Kilo-ohm 2 Watt	S000REB02	1	110V/60Hz vers.
44	Terminal blocks	P000MOA04	-	
45	Under terminal board	P000SOT01	-	
46	Robur bottom plate	SRO0PIC03	1	
47	Cable locking	S000PAB04	1	
48	Nut for cable cocking 3213	S000DAA02	1	
49a	Electric cable "Italy" single phase	S000CAD01	1	
49b	Electric cable - three phase 220-230V	S000CAD09	1	
49c	Electric cable - three phase 380-400V	S000CAD03	1	
49d	Electric cable "Europe"	S000CAD04	1	
49e	Electric cable "USA" - SJT 3x16	S000CAD11	1	
49f	Electric cable "Australia"	S000CAD07	1	
49g	Electric cable "Great Britain"	S000CAD08	1	
49h	Electric cable "Israel"	S000CAD10	1	
49i	Electric cable "Svizzera"	S000CAD06	1	
50	AD2015 support leg	P000PIA02	4	
51	Label: "Danger"	S000ETA14	1	110V/60Hz vers.
52	"Ground" plate	S000TAA18	1	
53	"External unipotential clamp" plate	S000TAA19	1	CE version
54	Label "Caution Fire"	S000ETA20	1	
55	Major cooling fan	SMJ0VEA01	1	
56	Fan fixing clamp	S000FAA01	1	110V/60Hz vers.



No.	DESCRIPTION	CODE	Q.	NOTE
1	Doser cover	S000COD02	1	
2	Cylinder for doser	S000CIA01	1	
3	Dose adjustment knob	S000MAB02	1	
4	Upper dosing star	SMJSSTA04	1	
5	Coffee outlet covering section plate	S000SEA01	1	
6	Female dosing star	S000STA03	1	
7	Dosing system pressing spring	S000MOB05	1	
8	Male dosing star	S000STA02	1	
9a	Upper microswitch	S00SMIA01	1	
9b	Upper microswitch - UL	S00SMIA02	1	110V/60Hz vers.
10	Doser pipe	SMJ0TUA04	1	
11a	Coffee pressing device D.53	S000PRA02 D	1	
11b	Coffee pressing device D.54,5	S000PRA02	1	
11c	Coffee pressing device D.58	S000PRA02 E	1	
12	Corrugated ring D.32mm	S000ANA01	1	
13	Ratchet	S000CRA01	1	
14	Doser adjustment screw - M8x70	S000VIA01	1	
15	Lower microswitch spring	S000MOB06	1	
16	Lower microswitch star	S000STA05	1	
17	Lower microswitch	S00SMIA04	1	
18	Counter	S00SCOB01	1	
19	Dosing lever return spring	S000MOB03 A	1	
20	Nose	S000NAA01 A	1	
21	Doser bottom	S000FOA01	1	
22	Nose spring	S000MOB04	1	
23	Dosing lever	S00SLEA02	1	
24	Doser bottom set	S00SFOA01	1	
25				
26				
27	Doser washer D.50 thick. 0,4	S000ROA02	1	
28	Lower microswitch star space	S000DIA01	1	
29	Label "Danger"	S000ETA14	1	110V/60Hz vers.
30	Oversized female dosing star	S000STA06	1	
31	Oversized female dosing star + dose adjustment knob	S000MAB03	1	
32	Oversized star with dose knob	S00SGRA08	1	

