

# EXPLODED VIEW



## Automatic GRINDER DOSER with conical grinding blades KONY

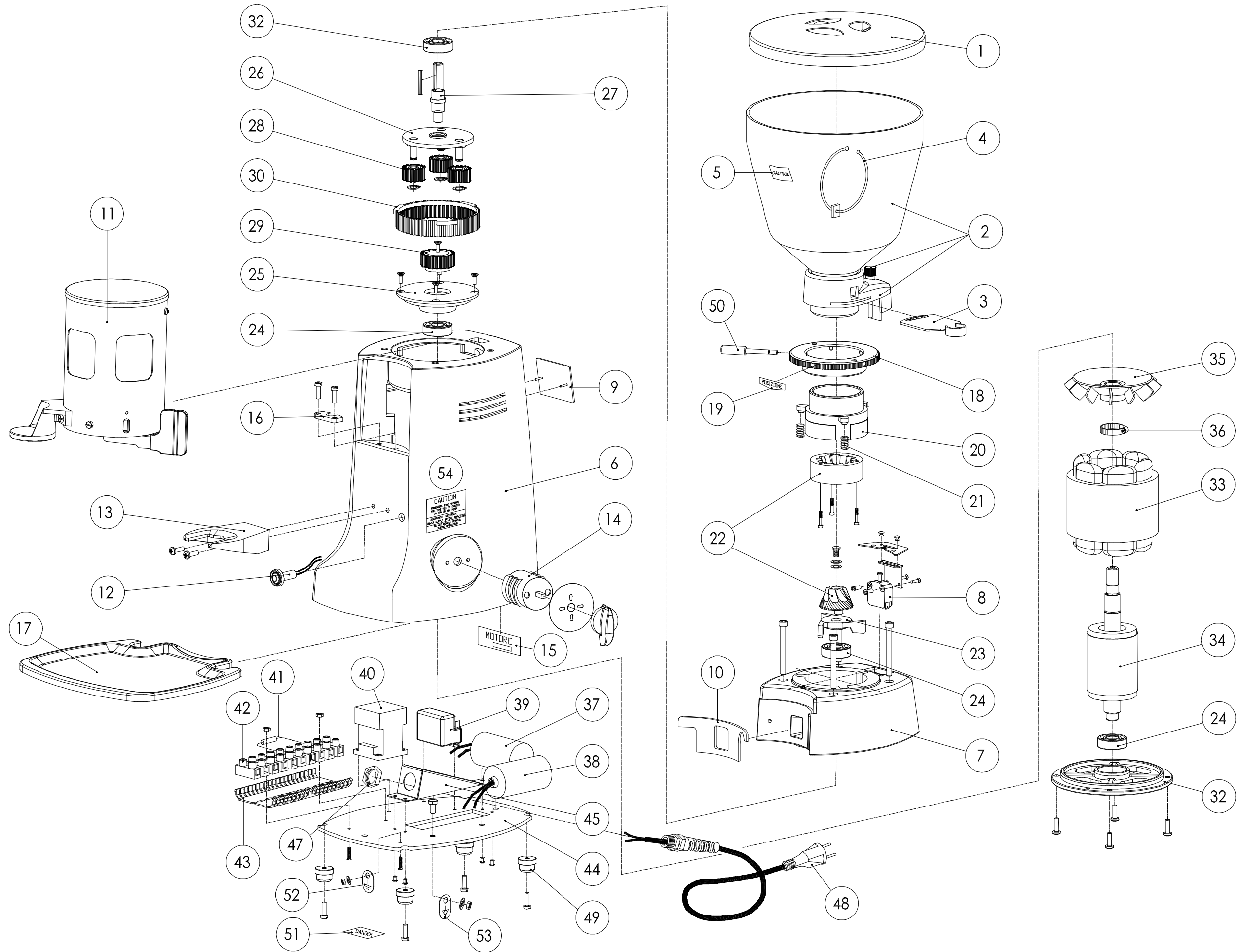


MAZZER LUIGI s.r.l.  
VIA MOGLIANESE, 113  
30030 GARDIGIANO DI SCORZE' (VE)  
ITALIA  
TEL. +39 041 5830200 r.a. - FAX +39 041 5830060  
E-mail: mazzler@mazzler.com - <http://www.mazzler.com>

ESKODOS01 11/2004

N.	DESCRIPTION	CODE	Q.	NOTE
1	Hopper cover	S000COD01	1	
2	Kony Complet hopper set	SKOSCAE03	1	(hopper + adapter + pin)
3	Collar locking slide (MJ-RO-RL-SK – KO)	S000SEB02 A	1	
4	Magnet with ring	S00SCAC01	1	
5	Label: "Caution Hopper"	S000ETA15	1	110V/60Hz vers.
6	Kony body	SKO0CAA03 A	1	
7	Kony body-head	SKO0TEB01 A	1	
8	Safety microswitch	S000INR01	1	
9	"Mazzer 4M" plate	S000TAA02	1	
10	Gasket	S000GUA01	2	
11	Automatic doser	SMJSGRA04	1	
12a	Pilot loght 230/400V, green	S000LAA06	1	230-400V/50Hz vers.
12b	Pilot light 110V, UL red	S000LAA07	1	110V/60Hz vers.
13	Fork for filterholder rest	S000FOB02 A	1	
14a	Three pole rotative switch with auxiliary phase	S000INA13	1	Three phase vers.
14b	Two pole rotative switch with auxiliary phase	S000INA10 A	1	220-240V single phase vers.
15	Motor label	-	1	
16	Doser fixing plaque	S000PIA10	1	
17	Drip tray (SJ-MJ-KO)	SSJ0PIB02	1	
18	Coffee grinding adjustment disk (SJ-KO-MINI)	SSJ0GHA02	1	
19	Label: "Coarse-fine / Adjustment initial position"	S000ETA03	1	
20a	Upper grinding blade holder Kony single phase	SKO0POA02 A	1	
20b	Upper grinding blade holder Kony three phase	SKO0POA04 A	1	
21	Grinding adjustment spring	SSJ0MOB01	3	
22a	Conical grinding blade set 191C single phase	FMA00191C	1	
22b	Conical grinding blade set 192C three phase	FMA00192C	1	
23	Lower grinding blade holder Robur	SKO0POA07 A	1	
24	Bearing 6202 2RS	S000CUA07	2	
25	Bearing holder-disk	SKO0DIS01	1	
26	Reduction disc with 3 pivots (RO-KO)	SRO0DIA01 A	1	
27a	Reduction shaft for sigle phase KONY	SKO0ALA02	1	
27b	Reduction shaft for three phase KONY	S000ALA02	1	
28	Reduction satellite	S000STA01	3	
29	Reduction planet	S000PIR02	1	
30	Reduction crown	S000COR01	1	
31	SJ-KO motor cap	SSJ0CAB02	1	
32	Bearing 6202 2Z	S000CUA01	2	
33a	SJ-KO coiled stator-single ph. 220-240V/50Hz	SSJSPA01	1	220-240V single phase vers.
33b	SJ-KO coiled stator-three ph. 230-400V/50Hz	SSJSPA03	1	400V/50Hz three phase vers.
33c	SJ-KO coiled stator-single ph. 110V/60Hz	SSJSPAA04	1	110V/60Hz single phase vers.
33d	SJ-KO coiled stator-single ph. 220V/60Hz	SSJSPAS01	1	220V/60z single phase vers.
33e	SJ-KO coiled stator-three ph. 220V/60Hz	SSJSPAS03	1	220V/60z three phase vers.
34	Kony rotor	SKO0ROA01	1	
35	Kony cooling fan	SKO0VEA01	1	
36	Fan fixing clamp	S000FAA01	1	

N.	DESCRIPTION	CODE	Q.	NOTE
37a	Capacitor 10 µF	S000COE02	1	220-240V single phase vers.
37b	Capacitor 30 µF U.L.	S000COE08	1	110V/60Hz vers.
38a	Capacitor 12,5 µF	S000COE16	1	Start capacitor for single phase
				220-240V/50Hz versions
38b	Capacitor 40 µF U.L.	S000COE15	1	Start capacitor for single phase
				110V/60Hz versions
39a	Relè "Texas" 2CR4-125	S000DIS10	1	220-230V single phase vers.
39b	Relè "Texas" 2CR4-130	S000DIS08	1	230-240V single phase vers.
39c	Relè "Texas" 2CR4-190	S000DIS09	1	110V/60Hz vers.
40a	Contactore 230V/50Hz	S000COC02	1	220-230V/50Hz single phase vers.
				220-230V/50Hz three phase vers.
40b	Contactore 240V/50Hz	S000COC06	1	240V/50Hz single phase vers.
40c	Contactore 380V/50Hz	S000COC08	1	380-400V/50Hz three phase vers.
40d	Contactore 110V/60Hz	S000COC01	1	110V/60Hz single phase vers.
40e	Contactore 220V/60Hz	S000COC04	1	220V/60Hz single phase vers.
41a	Load resistor 220 Kilo-ohm 2 Watt	S000REB01	1	220-240V single phase vers.
41b	Load resistor 68 Kilo-ohm 2 Watt	S000REB02	1	110V/60Hz single phase vers.
42	Terminal blocks	P000MOA04	-	
43	Under terminal board	P000SOT01	-	
44	Robur bottom plate	SKO0PIC01	1	
45	Cable locking support	S000SUA01	1	
46	Cable locking 3243 flex.	S000PAB04	1	
47	Nut for cable cocking 3213B	S000DAA02	1	
48a	Electric cable "Italy" single phase	S000CAD01	1	
48b	Electric cable - three phase 220-230V	S000CAD09	1	
48c	Electric cable - three phase 380-400V	S000CAD03	1	
48d	Electric cable "Europe"	S000CAD04	1	
48e	Electric cable "USA" - SJT 3x18	S000CAD05	1	
48f	Electric cable "Australia"	S000CAD07	1	
48g	Electric cable "Great Britain"	S000CAD08	1	
48h	Electric cable "Israel"	S000CAD10	1	
48i	Electric cable "Switzerland"	S000CAD06	1	
49	Support legs	S00SPIA01 A	4	
50	Grinding adjustment disk handle	SSJSPEA04	1	
51	Label: "Danger"	S000ETA14	1	110V/60Hz vers.
52	"Ground" plate	S000TAA18	1	CE version
53	"External unipotential clamp" plate	S000TAA19	1	
54	Label "Caution Fire"	S000ETA20	1	110V/60Hz vers.
55	"Caution" plate	S000TAA20	1	110V/60Hz vers.



No.	DESCRIPTION	CODE	Q.	NOTE
1	Doser cover	S000COD02	1	
2	Cylinder for doser	S000CIA01	1	
3	Dose adjustment knob	S000MAB02	1	
4	Upper dosing star	SMJSSTA04 B	1	
5	Coffee outlet covering section plate	S000SEA01	1	
6	Female dosing star	S000STA03 B	1	
7	Dosing system pressing spring	S000MOB05	1	
8	Male dosing star	S000STA02 B	1	
9a	Upper microswitch	S00SMIA07	1	
10	Doser pipe	SSJ0TUA01 B	1	
11a	Coffee pressing device D.53	S000PRA02 D	1	
11b	Coffee pressing device D.54,5	S000PRA02	1	
11c	Coffee pressing device D.58	S000PRA02 E	1	
12	Corrugated ring D.32mm	S000ANA01	1	
13	Ratchet	S000CRA02	1	
14	Doser adjustment screw - M8x70	S000VIA01	1	
15	Lower microswitch spring	S000MOB06	1	
16	Lower microswitch star	S000STA05	1	
17	Lower microswitch	S00SMIA04	1	
18	Counter	S00SCOB02	1	
19	Dosing lever return spring	S000MOB03 A	1	
20	Nose	S000NAA01 A	1	
21	Doser bottom	S000FOA01	1	
22	Nose spring	S000MOB04	1	
23	Dosing lever	S00SLEA02	1	
24	Doser bottom set	S00SFOA01	1	
25	Coffee outlet guard	S000PRB02		
27	Doser washer D.50 thick. 0,4	S000ROA02	1	
28	Lower microswitch star space	S000DIA01	1	
29	Label "Danger"	S000ETA14	1	110V/60Hz vers.
30	Oversized female dosing star	S000STA06 A	1	
31	Oversized female dosing star + dose adjustment knob	S000MAB03 A	1	
32	Oversized star with dose knob	S00SGRA08	1	

