

XL+

BACKREST
ADJUSTABLE IN
HEIGHT

SYNCHRO-SLIDE
MECHANISM

MADE IN THE
EUROPEAN UNION

A highly functional directional chair. Enveloping, sinuous, efficient and extremely comfortable. An infinite choice of combinations and finishes to find the perfect posture. Its new seat with viscoelastic base gives it a unique and exclusive comfort.



01.

Backrest

Adjustable in height. Structure made of 15 mm thick beech plywood (MQ cert. 07-175), covered with fireproof injected foam (UNE EN 1021-2/06 / BS-5852/06) of high density expanded polyurethane of 60 kg/m³ (EN ISO 845).

02.

Seat

Seat exterior in black injected polypropylene plastic, 100% recyclable. Optional fireproof treatment (UNE 23727/90 / UNE 23721/90 / UNE 23724). Beech plywood interior (MQ cert. 07-175), covered with 60 kg/m³ high density expanded polyurethane fireproof foam (EN ISO 845).

Seat made by double density foam injection and combined double and simple flange stitching.

It is equipped with a seat adjustment system that works independently of the mechanism.

03.

5-position synchro mechanism (BS 5459 part 2/00 A.5.5 / ANSI BIFMA x5.1-2011/5/6/10)

The synchro mechanism allows the seat and backrest to tilt synchronously with the central axis of the chair, but independently for models that are not monocoque. Thus, it is possible to adjust the degree of inclination of the backrest and seat.

Characteristics of this system are the following:

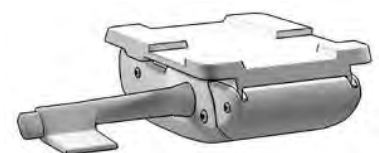
- Up to 20° of backrest inclination, with 5 locking positions by button.
- Up to 6° of seat inclination, which is the working position 0°.
- Self-weighting function from 65 to 150 kg.



04.

Gas column, bases and wheels

- Lifting using a class 3 black gas column (UNI 9084/02), tested for users weighing up to 120 kg.
- Polished aluminum base 70 cm diameter (ANSI-BIFMA X5.1-2011/7). This model comes with double Desmopan rubber wheels 65 mm diameter with chrome finish.
- Black nylon base of 68 cm diameter. This model comes with double Desmopan rubberized nylon wheels of 65 mm diameter.
- The base connection bolt has a circular nylon ring to prevent noise when used on metal or aluminum bases.
- Optional: Anti-slip gliders in black nylon.



05.

Armrests (optional)



- BR02/BR23: Height adjustable, black or white polypropylene injection molded. Black polyurethane injection molded armrests.

1. Height adjustment 11 cm, with 10 locking positions.



-BR03: 3D, black polypropylene injection. Armrests in black polyurethane injection.

1. Height adjustment 11 cm, with 10 locking positions.
2. Multi-position adjustment of the armrest It can be slid 19 cm forward and backward, and 6 cm to the side, and can adopt any position between these measurements.



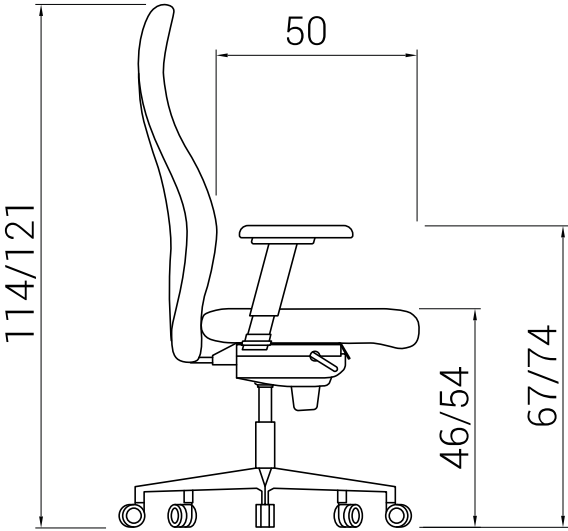
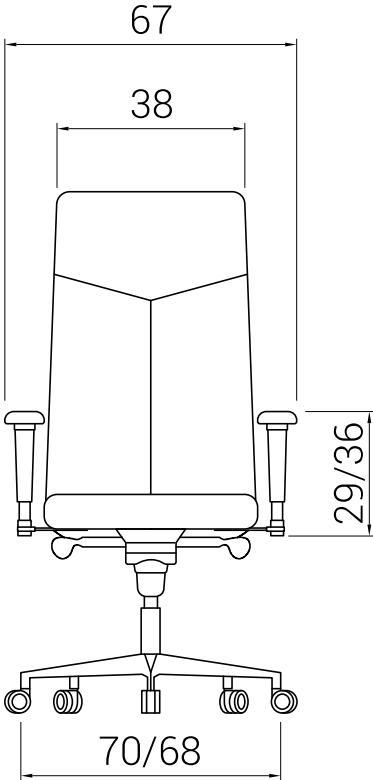
-BR04: 4D, black polypropylene injection. Polyurethane armrests.

1. Height adjustment 7 cm, with 6 locking positions.
2. Armrest depth adjustment, 3 cm in each direction.
3. Rotation of the armrest, 30° maximum in each direction.
4. width adjustment between the armrests, up to 3 cm in each direction.



-BR24: Fixed, in aluminum injection. Armrests in black polypropylene.





XL+
SUSTAINABLE



95%

RECYCLABLE

- 36% Metal
- 1% Polypropylene
- 10% Other plastic materials
- 13% Wood
- 40% Others



BACKREST
Structure made of beech plywood covered with injected foam of high density expanded polyurethane

SEAT
Exterior in injected polypropylene plastic. Beech plywood interior covered with high density expanded polyurethane fireproof foam.

MECHANISM
in steel.

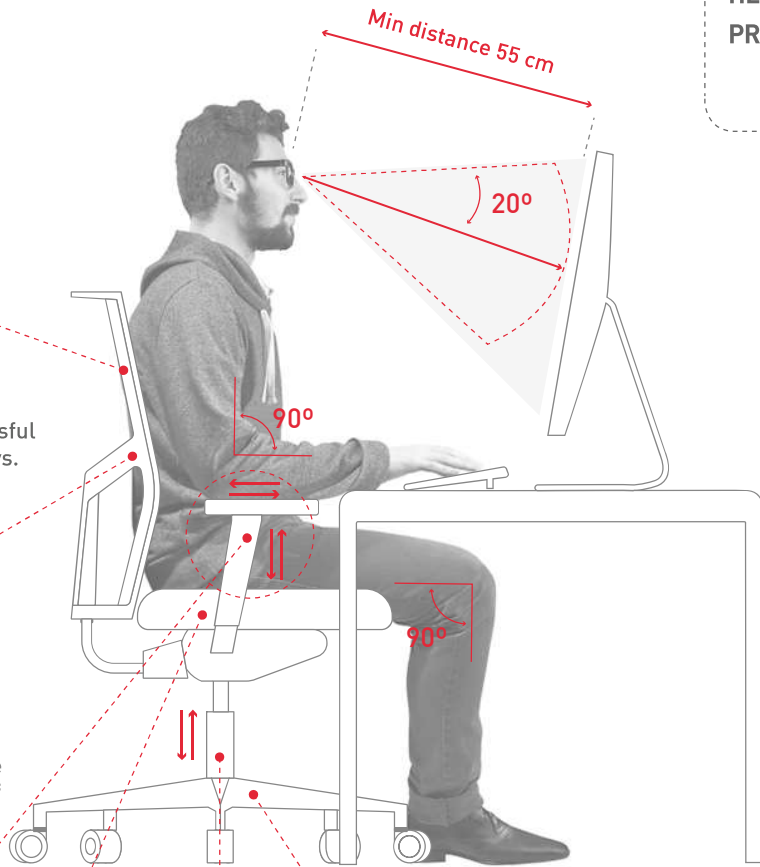
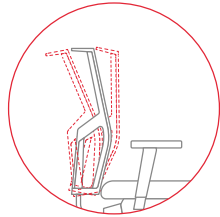
BASE
in black nylon or polished aluminium.

WHEELS
double rubber of Desmopan.

- ✓ 100% recyclable cardboard packaging, made from 90% recycled materials.
- ✓ Dileoffice is certified according to ISO 9001:2015, 14001:2015 and 14006:2020. All phases of the production process, from the receipt of components to the delivery of the finished product, are meticulously managed to minimise the impact on the environment.
- ✓ Dileoffice chairs are assessed by AIDIMEE to certify the compliance of each product with UNE EN standards.
- ✓ If it is necessary to replace the entire chair or any of its parts, the end customer will be informed of the recycling management of each element according to the composition of the materials.
- ✓ Transport is carried out by scheduled routes, giving priority to fuel savings. We use our own transport trucks, always trying to use the maximum volume, and minimising the volume in the packaging.

DILE ERGONOMICS

**GOOD POSTURE
IS ESSENTIAL
TO AVOID
HEALTH
PROBLEMS**



01.
**THE INCLINATION OF THE SEAT
AND THE BACKREST**
A synchronized movement of the seat and backrest, configure a very successful solution for long working or study days.

02.
LUMBAR ADJUSTMENT
The backrest must provide good support for the entire back and be adapted to the lumbar part. The lumbar adjustment mechanism allows the curvature of the chair to be adjusted according to the curvature of the user's back for better support.

03.
ADJUSTABLE ARMRESTS
The forearms should be parallel to the work surface and form a right angle with the arm.

04.
THE STRENGTH OF THE SEAT
The seat must offer firmness and adaptation to the user's physiognomy.

05.
CHAIR HEIGHT ADJUSTMENT
The possibility of adjusting the height allows for the correct posture, with the feet comfortably resting on the floor and the legs in a horizontal position.

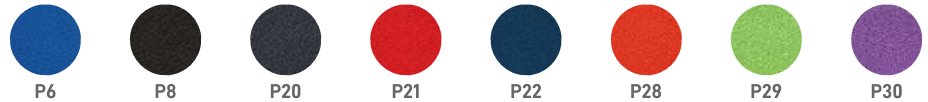
07.
FABRIC
Depending on the area of use and climate, one fabric or another should be chosen.

06.
BASES
The base of the chair should have 5 points of support for the wheels on the ground, to facilitate their movement with minimal effort.

“Don't forget to take a break to stretch and move around regularly”

01

BALI (Go1)



02

POLYESTER (Go1)



03

GOYA (Go1)



04

TOUCH LEATHER (Go1)



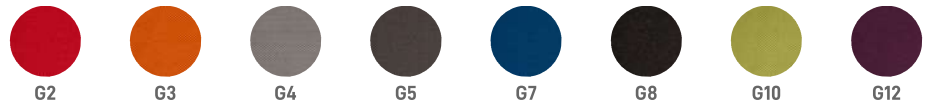
05

COMBI (Go1)



06

OCEAN (Go2)



07

ELASTIKA FR (Go2)



08

ORUGA (Go2)



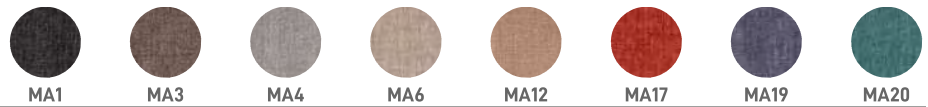
09

NILO (Go2)



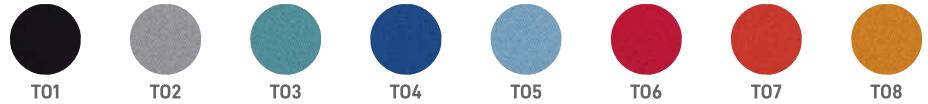
10

MADISON (Go2)



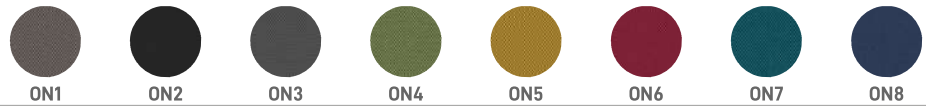
11

TONAL (Go2)



12

ONE (Go2)



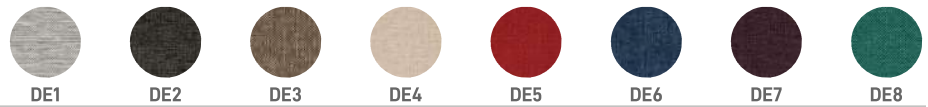
13

VALENCIA (Go3)



14

DEKORA (Go3)



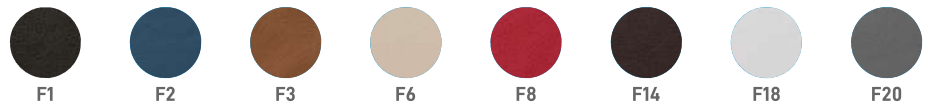
15

FELICITY (Go3)



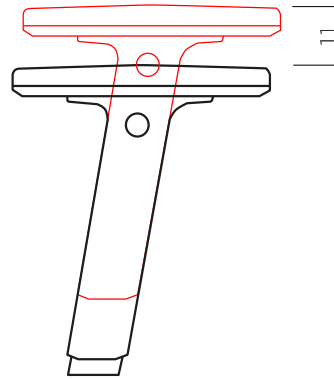
16

LEATHER (Go4)



1. Arms

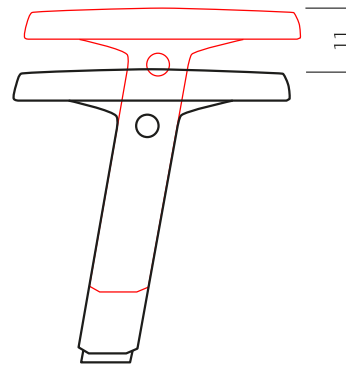
BR02/BR23



HEIGHT ADJUSTMENT

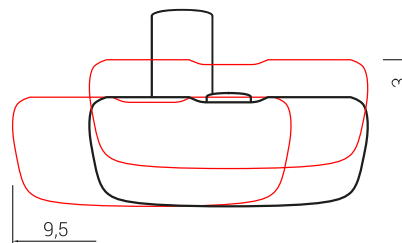
Press the button on the armrest (arrow) and without releasing it, adjust the height of the armrest. Once in the desired position, release the button.

BR03



ADJUSTING THE HEIGHT

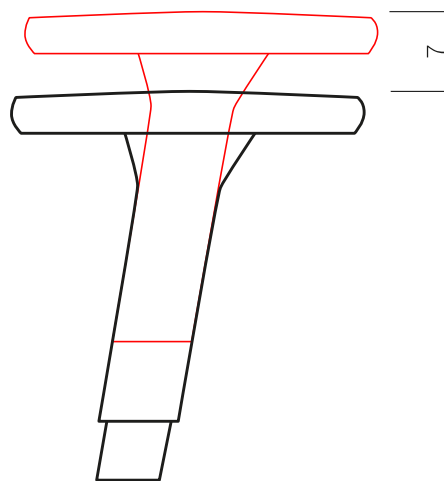
Press the button on the armrest (arrow) and without releasing it, adjust the height of the armrest. Once in the desired position, release the button.



MULTI-POSITION ADJUSTMENT

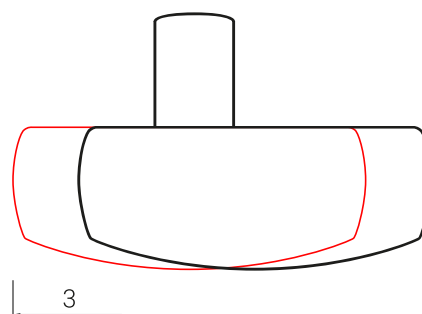
Press the armrest button (arrow) and, without releasing it, adjust the position of the armrest both lengthwise and widthwise. Once in the desired position, release the button. It moves in each direction by 9.5 cm lengthwise and 3 cm widthwise.

BR04



HEIGHT ADJUSTMENT

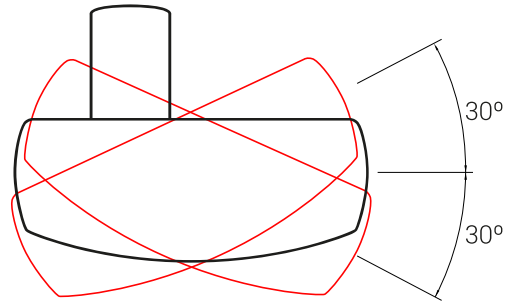
Press the button on the armrest (arrow) and without releasing it, adjust the height of the armrest. Once in the desired position, release the button.



ADJUSTING THE DEPTH OF THE ARMREST

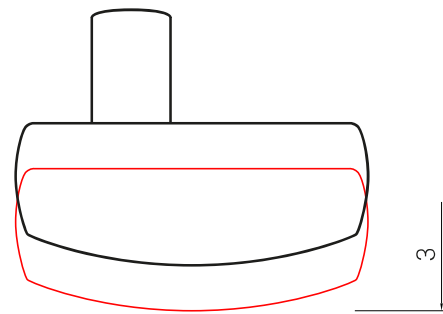
By pressing firmly on the armrest, the armrest is pushed forward or backward to the desired position. It moves 3 cm in each direction.

BR04



ARMREST ROTATION

By pressing firmly on the armrest, a force is produced by turning the armrest inward or outward until it is in the desired position.

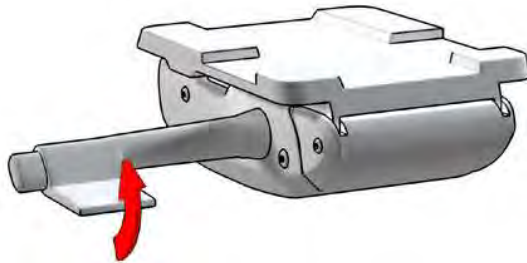


ARMREST WIDTH ADJUSTMENT

Loosen the screw on the armrest. Move the armrest to the desired position. Tighten the lower screw.

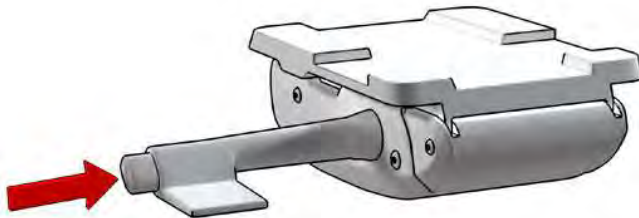
2. Mechanism

SYNCHRO-SLIDE MECHANISM



GAS LIFT

By lifting the handle we unlock the gas column. Without weight the chair lifts up. With the user seated, the chair goes down. Once the handle is released, the gas column is blocked again.



ADJUSTMENT FOR SEAT/BACKREST INCLINATION (SYNCHRO)

At the end of the gas lift handle there is a button. By pressing it, we release the synchro device, which allows, with the user seated, to modify the angle of the seat and backrest inclination in a synchronized way. By releasing the button, the seat and backrest are fixed in the desired position. To unlock it, press the button and use your back to exert weight.

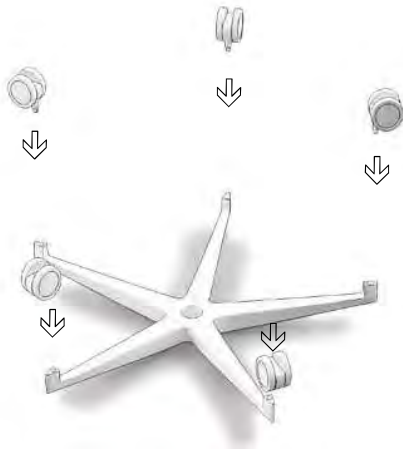


ADJUSTING THE SLIDING OF THE SEAT (SLIDING SYSTEM)

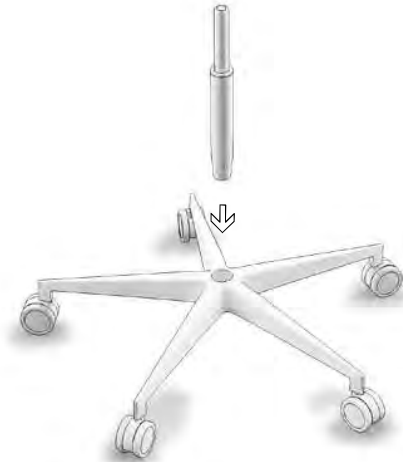
There is a button on the lower right side of the seat. Pressing it upward releases the seat slider. Once it has been moved to the desired position, we release the button, establishing the position of the seat.



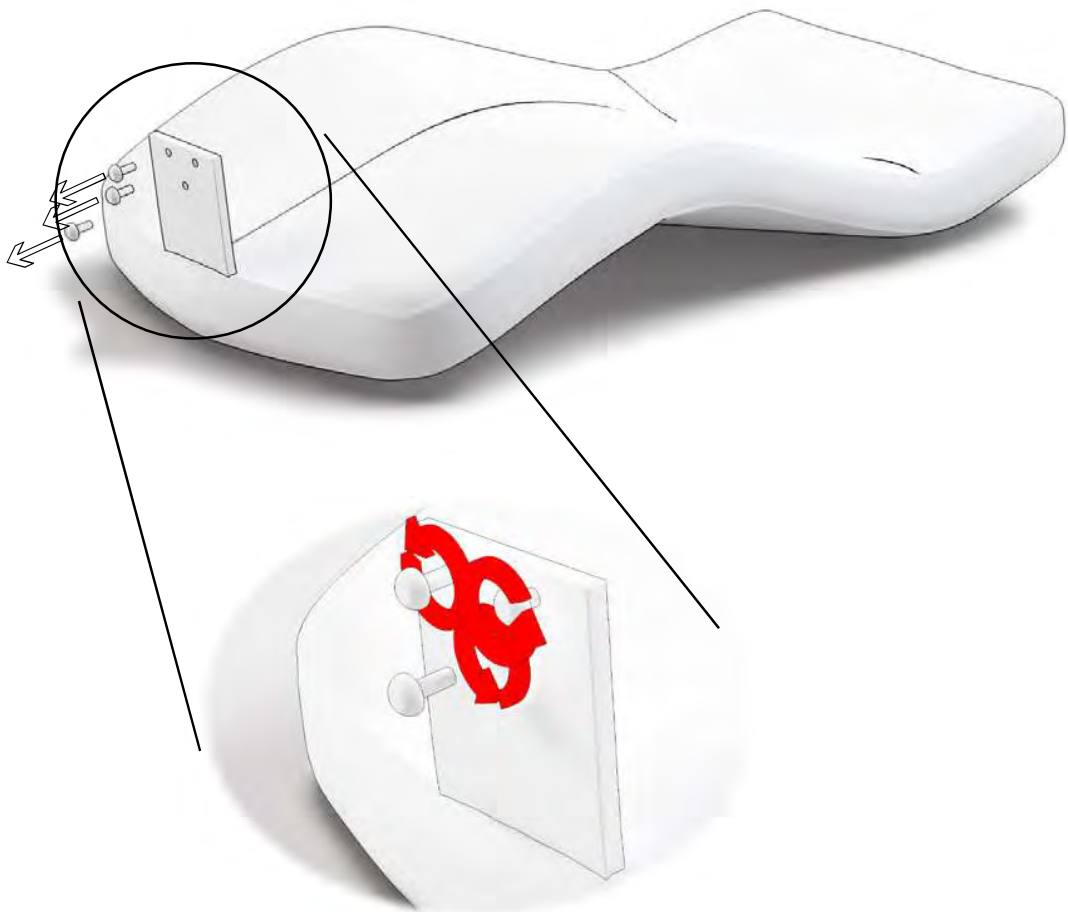
1.



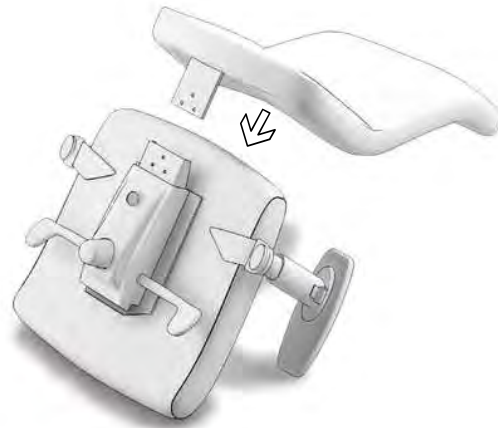
2.



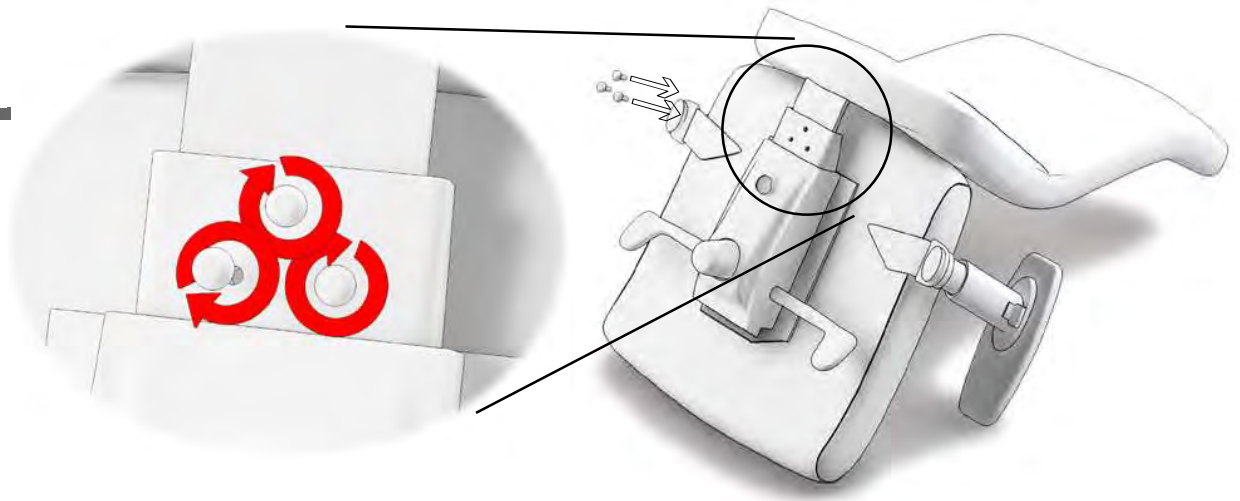
3.



4.



5.



6.

