

MONDO

## WING COLLECTION

SKU:VOMOOM-701-WING

# Wing bar stool

The outdoor furniture's Wing Collection was born as a result of the folding of the straight and curve lines projection mixed in a dynamic way.



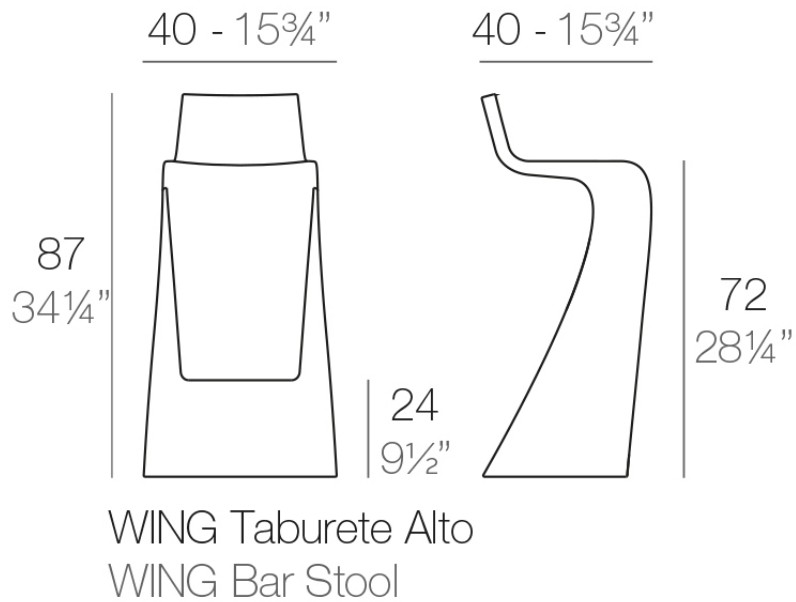
## Info

---

### Description

Made of polyethylene resin by rotational moulding. 100% Recyclable. Item suitable for indoor and outdoor use. Available in different finishes.

Weight: 5.51 Kg



# Wing bar table 50x76x100

by A-cero

The outdoor furniture's Wing Collection was born as a result of the folding of the straight and curve lines projection mixed in a dynamic way.



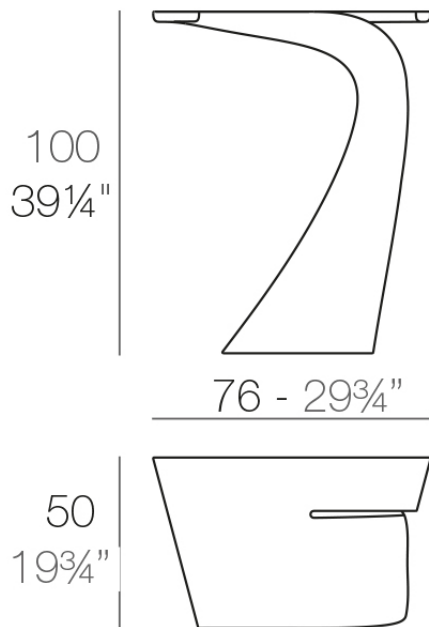
## Info

---

### Description

Made of polyethylene resin by rotational moulding. 100% Recyclable. Item suitable for indoor and outdoor use. Available in different finishes.

Weight: 12 Kg



WING Mesa Alta  
WING Bar Table

# Wing chair

by A-cero

The outdoor furniture's Wing Collection was born as a result of the folding of the straight and curve lines projection mixed in a dynamic way.



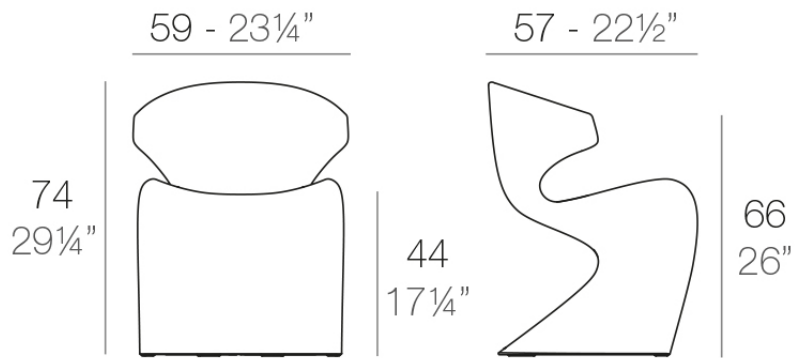
## Info

---

### Description

Made of polyethylene resin by rotational moulding. 100% Recyclable. Item suitable for indoor and outdoor use. Available in different finishes.

Weight: 9 Kg



WING Silla  
WING Chair

# Wing coffee table 116x79x46

by A-cero

The outdoor furniture's Wing Collection was born as a result of the folding of the straight and curve lines projection mixed in a dynamic way.



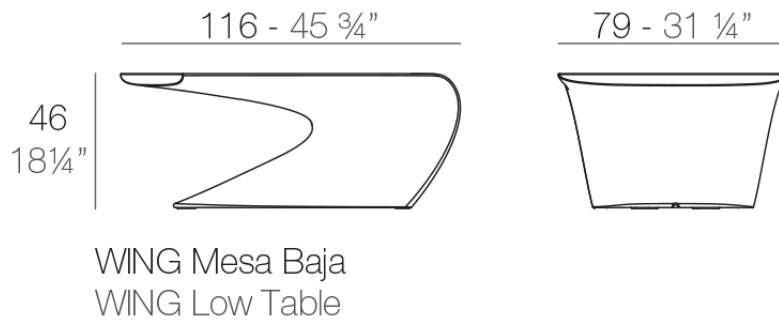
## Info

---

### Description

Made of polyethylene resin by rotational moulding. 100% Recyclable. Item suitable for indoor and outdoor use. Available in different finishes.

Weight: 15 Kg

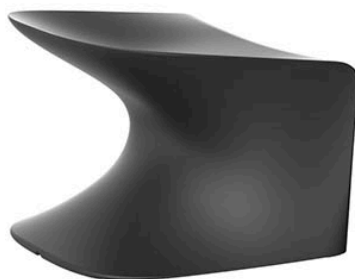




# Wing stool

by A-cero

The outdoor furniture's Wing Collection was born as a result of the folding of the straight and curve lines projection mixed in a dynamic way.



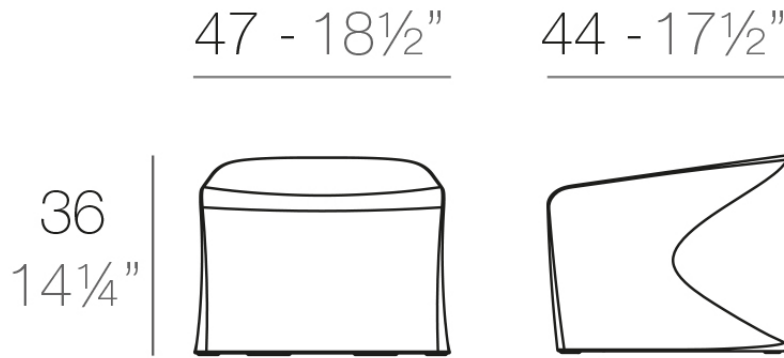
## Info

---

### Description

Made of polyethylene resin by rotational moulding. 100% Recyclable. Item suitable for indoor and outdoor use. Available in different finishes.

Weight: 5 Kg



WING Taburete Bajo  
WING Low Stool

# Wing lamp

by A-cero

The outdoor furniture's Wing Collection was born as a result of the folding of the straight and curve lines projection mixed in a dynamic way.



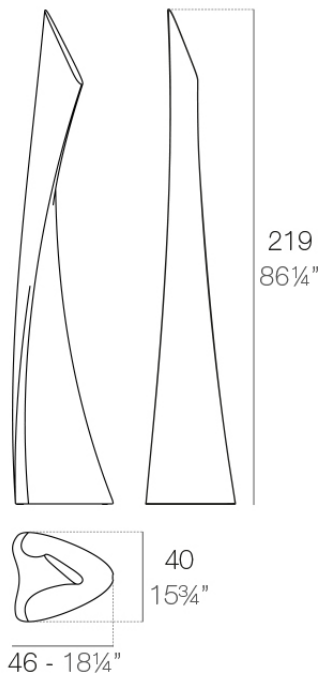
## Info

---

### Description

Made of polyethylene resin by rotational moulding. 100% Recyclable. Item suitable for indoor and outdoor use. Available in different finishes.

Weight: 20 Kg



WING Lámpara  
WING Lamp