

VENUS COLLECTION

SKU:VOMOOM-701-VENUS

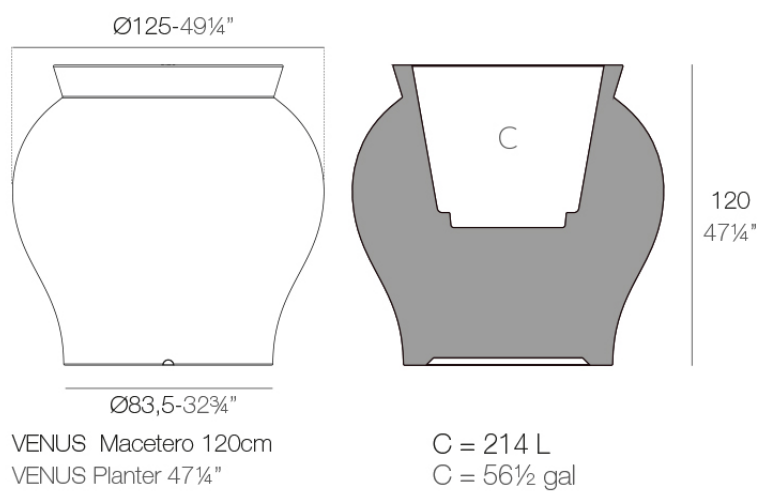
Venusplanter \varnothing 125x120

This curvaceous vase adds character to any surrounding.



Description

Weight: 36.02 Kg



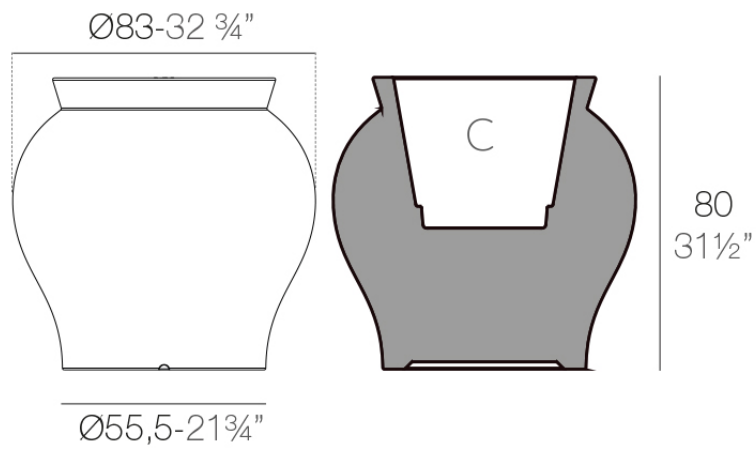
Venus planter ø 83x80

This curvaceous vase adds character to any surrounding.



Description

Weight: 16.02 Kg



VENUS Macetero 80 cm
VENUS Planter 31 1/2"

C = 58 L
C = 15 1/4 gal

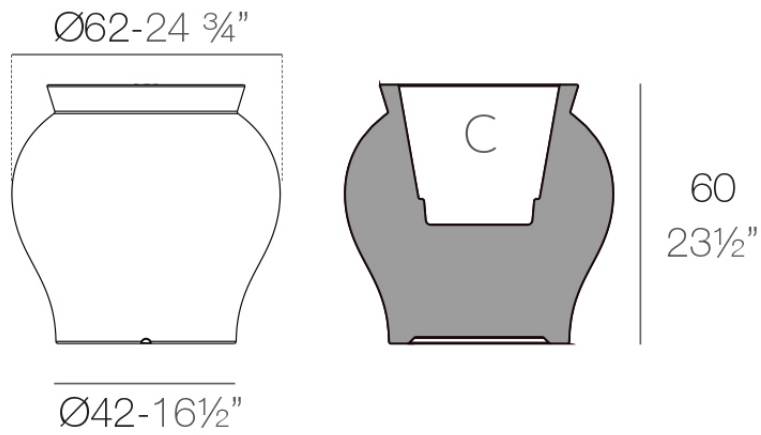
Venus planter ø 62x60

This curvaceous vase adds character to any surrounding.



Description

Weight: 36 Kg



VENUS Macetero 60 cm

C = 25 L

VENUS Planter 23 ½"

C = 6 ½ gal