

VASO PLANTER COLLECTION

SKU:VOMOOM-701-VASO

Vaso \varnothing 30x23

The most extensive collection of indoor and outdoor planters. Timeless and minimalist designs that allow you to create unique and original atmospheres for homes, restaurants and any space.



Info

Description

Pot made of polyethylene resin by rotational moulding. 100% Recyclable. Item suitable for indoor and outdoor use. Available in different finishes.

Weight: 0.15 Kg

Ø30 - Ø11 $\frac{3}{4}$ "



Ø23 - Ø9"

VASO Ø30 cm

C = 12 L

VASO Ø11 $\frac{3}{4}$ "

C = 3 $\frac{1}{4}$ gal

Vase ø35x27

The most extensive collection of indoor and outdoor planters designed .Timeless and minimalist designs that allow you to create unique and original atmospheres for homes, restaurants and any space.

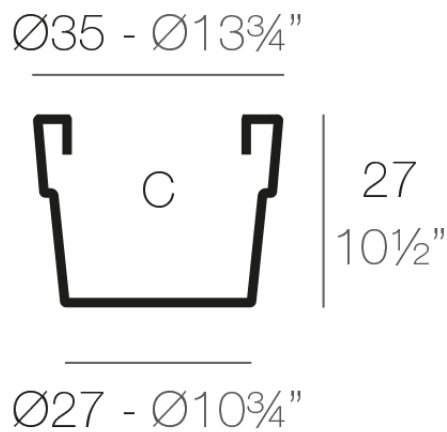


Info

Description

Pot made of polyethylene resin by rotational moulding. 100% Recyclable. Item suitable for indoor and outdoor use. Available in different finishes.

Weight: 0.25 Kg



VASO Ø35 cm

C = 20 L

VASO Ø13¾"

C = 5¼ gal

Vase ø40x31

The most extensive collection of indoor and outdoor planters .Timeless and minimalist designs that allow you to create unique and original atmospheres for homes, restaurants and any space.



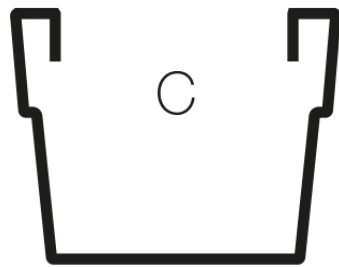
Info

Description

Pot made of polyethylene resin by rotational moulding. 100% Recyclable. Item suitable for indoor and outdoor use. Available in different finishes.

Weight: 0.38 Kg

Ø40 - Ø15¾"



30
11¾"

Ø31 - Ø12¼"

VASO Ø40 cm

C = 30 L

VASO Ø15¾"

C = 8 gal

Vase ø45x34

The most extensive collection of indoor and outdoor planters .Timeless and minimalist designs that allow you to create unique and original atmospheres for homes, restaurants and any space.

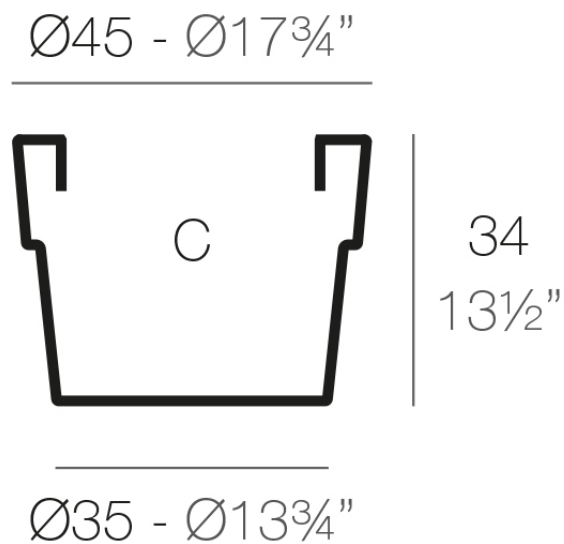


Info

Description

Pot made of polyethylene resin by rotational moulding. 100% Recyclable. Item suitable for indoor and outdoor use. Available in different finishes.

Weight: 0.5 Kg



VASO $\text{Ø}45$ cm
VASO $\text{Ø}17\frac{3}{4}"$

C = 42 L
C = 11 gal

Vase ø50x38

The most extensive collection of indoor and outdoor planters .Timeless and minimalist designs that allow you to create unique and original atmospheres for homes, restaurants and any space.

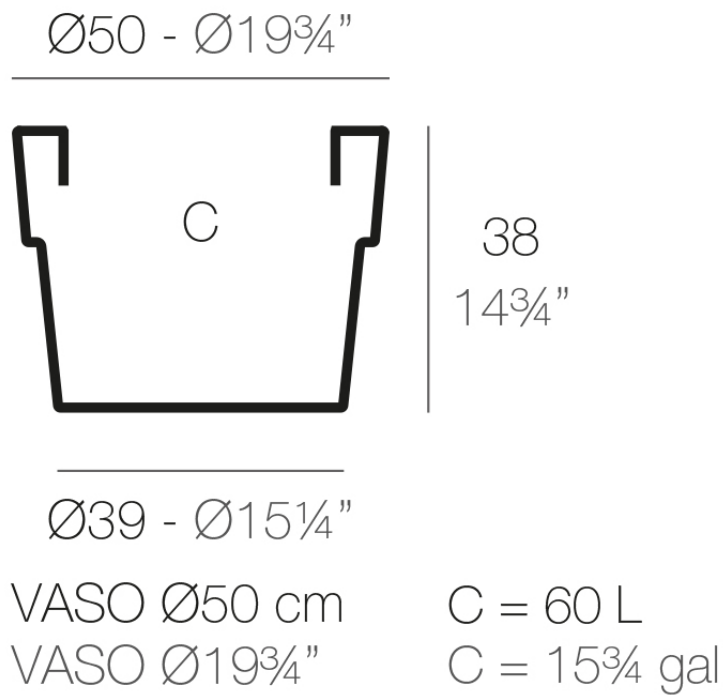


Info

Description

Pot made of polyethylene resin by rotational moulding. 100% Recyclable. Item suitable for indoor and outdoor use. Available in different finishes.

Weight: 1.3 Kg



Vase ø60x46

The most extensive collection of indoor and outdoor planters .Timeless and minimalist designs that allow you to create unique and original atmospheres for homes, restaurants and any space.

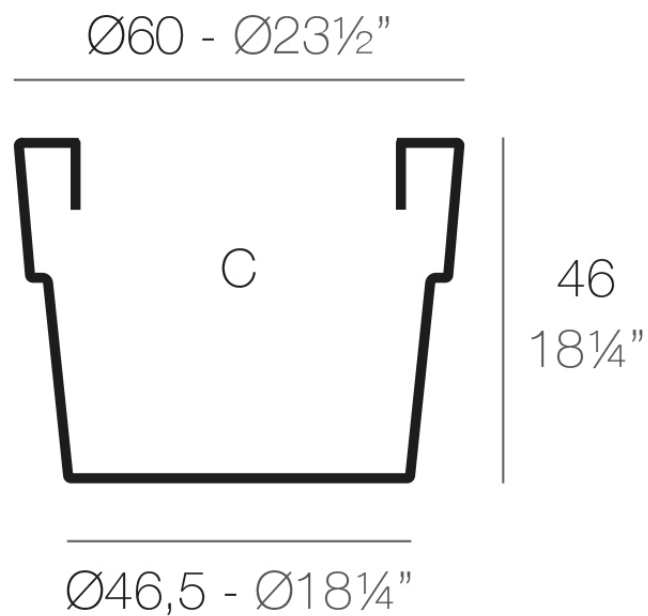


Info

Description

Pot made of polyethylene resin by rotational moulding. 100% Recyclable. Item suitable for indoor and outdoor use. Available in different finishes.

Weight: 2.1 Kg



VASO $\text{Ø}60$ cm

C = 100 L

VASO $\text{Ø}23\frac{1}{2}"$

C = $26\frac{1}{2}$ gal

Vase ø80x61

The most extensive collection of indoor and outdoor planters .Timeless and minimalist designs that allow you to create unique and original atmospheres for homes, restaurants and any space.

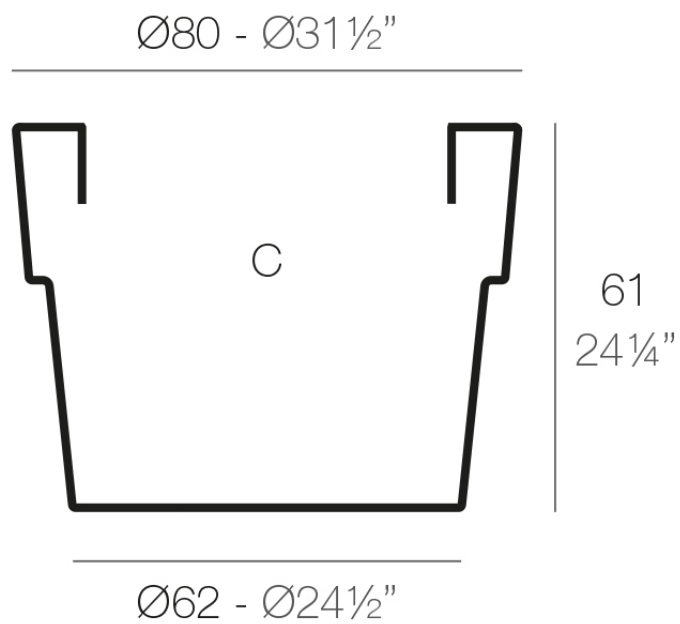


Info

Description

Pot made of polyethylene resin by rotational moulding. 100% Recyclable. Item suitable for indoor and outdoor use. Available in different finishes.

Weight: 8.5 Kg



VASO $\text{Ø}80$ cm

C = 230 L

VASO $\text{Ø}31\frac{1}{2}"$

C = $60\frac{3}{4}$ gal

Vase ø120x91

The most extensive collection of indoor and outdoor planters .Timeless and minimalist designs that allow you to create unique and original atmospheres for homes, restaurants and any space.

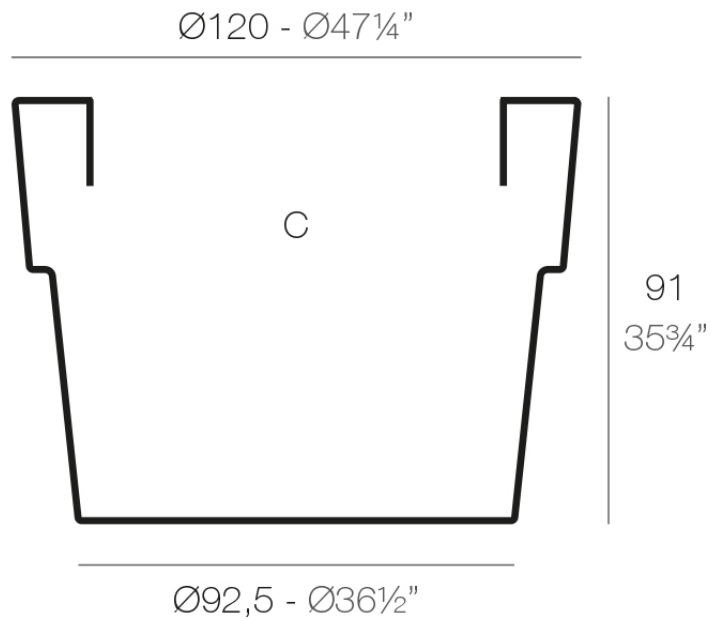


Info

Description

Pot made of polyethylene resin by rotational moulding. 100% Recyclable. Item suitable for indoor and outdoor use. Available in different finishes.

Weight: 22 Kg



VASO $\text{Ø}120$ cm C = 800 L
VASO $\text{Ø}47\frac{1}{4}"$ C = 211 $\frac{1}{4}$ gal