

MONDO

# UVE PLANTER

SKU:VOMOOM-701-UVE

## Uve 8x24x16



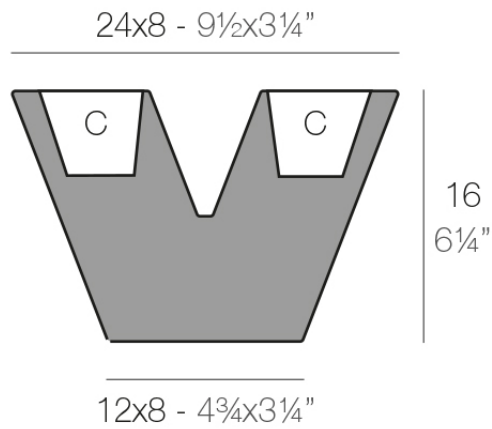
## Info

---

### Description

Pot made of polyethylene resin by rotational moulding. 100% Recyclable. Item suitable for indoor and outdoor use. Available in different finishes.

Weight: 0.4 Kg



UVE Nano 24 x 8 x 16 cm  
 UVE Nano 9½" x 3¼" x 6¼"

C = 0,2+0,2 L  
 C = 0,05+0,05 gal

# Uve 10x30x20



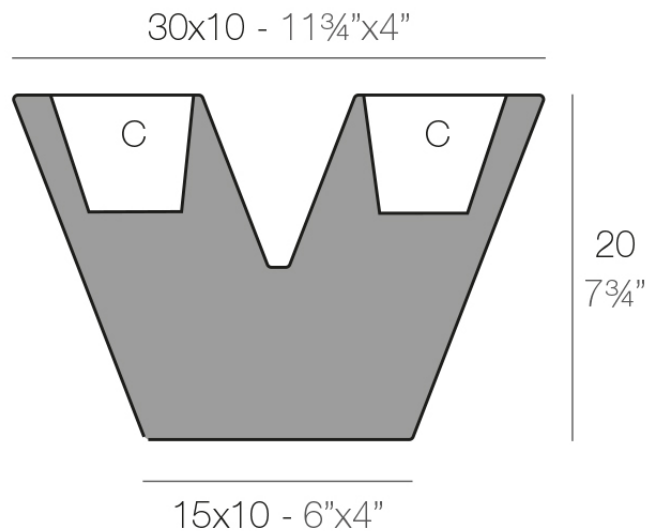
## Info

---

### Description

Pot made of polyethylene resin by rotational moulding. 100% Recyclable. Item suitable for indoor and outdoor use. Available in different finishes.

Weight: 0.7 Kg



UVE Nano 30 x 10 x 20cm  
UVE Nano 11<sup>3</sup>/<sub>4</sub>" x 4" x 7<sup>3</sup>/<sub>4</sub>"

C = 0,5+0,5 L  
C = 1/4+1/4 gal

# Uve 120x40x80



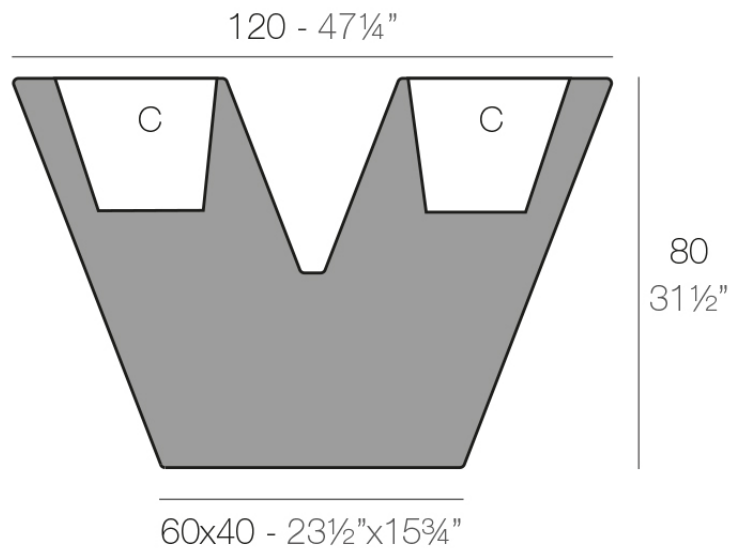
## Info

---

### Description

Pot made of polyethylene resin by rotational moulding. 100% Recyclable. Item suitable for indoor and outdoor use. Available in different finishes.

Weight: 16 Kg



UVE 120 x 40 x 80 cm

UVE 47 $\frac{1}{4}$ " x 15 $\frac{3}{4}$ " x 31 $\frac{1}{2}$ "

C = 20 + 20 L

C = 5 $\frac{1}{2}$  + 5 $\frac{1}{2}$  gal