

Tulum lounge chair

by Eugeni Quitllet

SKU:VOMOOOM-701-TULIM

Tulum is a collection of furniture to live freely anywhere in the world.



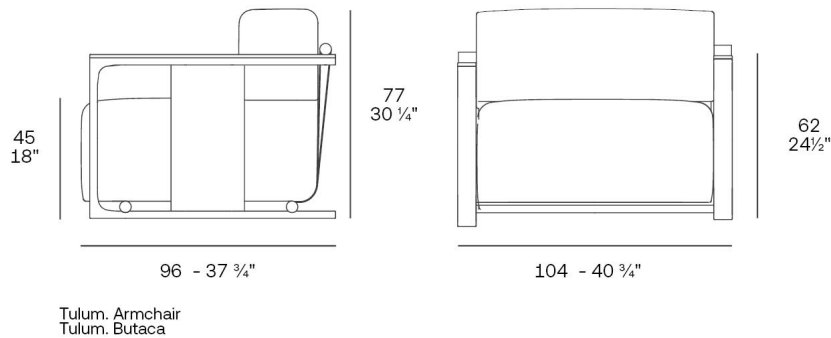
Description

Eugeni Quitllet fuses high quality materials and advanced technology in the Tulum lounge chair. With aluminium profiles treated with epoxy paint and precise welding, Indonesian teak wood details,

upholstery of different densities and removable back fabric, Tulum combines comfort and durability.

This designer furniture collection is an elegant harmony of natural materials and technology, ideal for indoors and outdoors.

Weight: 44 Kg



Tulum large sofa

by Eugeni Quitllet

Tulum is a collection of furniture to live freely anywhere in the world.



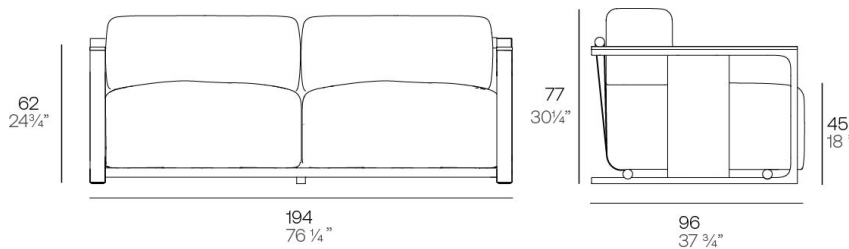
Description

Eugeni Quitlet fuses high-quality materials and advanced technology in this two-seater sofa. With aluminium profiles treated with epoxy paint and precise welding, Indonesian teak wood details,

upholstery of different densities and removable back fabric, Tulum combines comfort and durability.

This designer furniture collection is an elegant harmony of natural materials and technology, ideal for indoors and outdoors.

Weight: 72 Kg



Tulum. Sofá L
Tulum. Large Sofa
ref. 65071

Tulum extra large sofa

by Eugeni Quitllet

Tulum is a collection of furniture to live freely anywhere in the world.



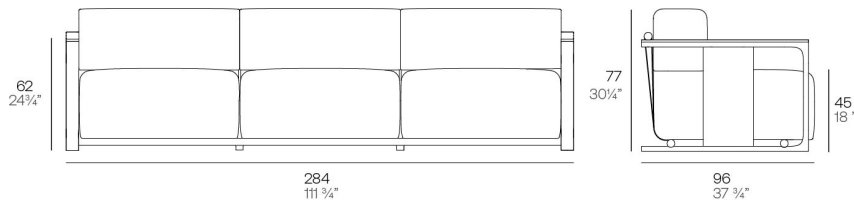
Description

Eugeni Quiltlet fuses high-quality materials and advanced technology in this three-seater sofa. With aluminium profiles treated with epoxy paint and precise welding, Indonesian teak wood details,

upholstery of different densities and removable back fabric, Tulum combines comfort and durability.

This designer furniture collection is an elegant harmony of natural materials and technology, ideal for indoors and outdoors.

Weight: 108 Kg



Tulum. Sofá XL
Tulum. Extra Large Sofá
ref. 66072

Tulum coffee table

by Eugeni Quitllet

Tulum is a collection of furniture to live freely anywhere in the world.



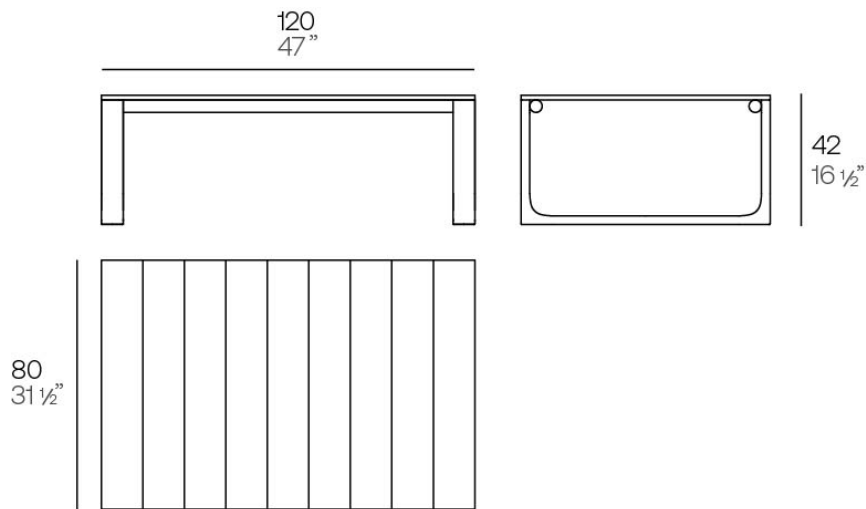
Description

The coffee table in the collection is characterised by its aluminium structure treated with epoxy paint and precise welding, guaranteeing durability and strength. Its surface is made of Indonesian teak wood

slats, adding a touch of natural elegance.

This table perfectly combines high quality materials with an aesthetic design.

Weight: 14 Kg



Tulum. Mesa Café
Tulum. Coffee Table
ref. 65074