

## TUBULAR CHAIR

SKU:RIMO20-401-TUBULAR CHAIR



Chair made of solid wood combined with tubular iron in a continuous line between the structure and armrests.

**STANDARD VERSION: IRON FRAME LACQUERED IRONDUST COLOUR (B2)**

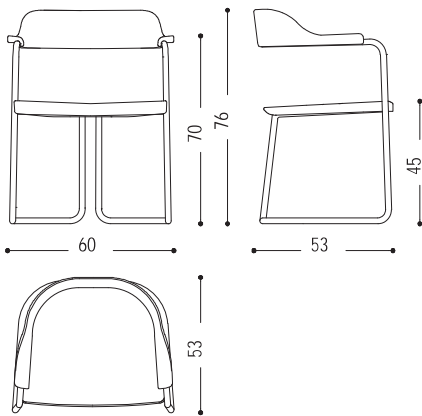
CODE	SIZE
TUBULAR-CHAIR	W,60 x D,53 x H,45/76

**AVAILABLE FINISHES:**

- A1: walnut without knots, elm
- A2: oak without knots, cherry, maple
- A3: oak without knots finish: whitened, mystic black, neutro
- A4: oak without knots pigmented: ash grey, white milk, total black

**AVAILABLE FINISHES:**

- B2: lacquered iron: matt transparent, iron dust, RAL (only selected colours)
- B3: lacquered iron matt brushed effect: aged copper, aged bronze, stainless steel, titanium  
lacquered iron oxidised effect





## AVAILABLE FINISHES:

**A1:** walnut without knots, elm

**A2:** oak without knots, cherry, maple

**A3:** oak without knots finish: whitened, mystic black, neutro

**A4:** oak without knots pigmented: ash grey, white milk, total black

## WOOD AND FINISHES



VULCANO OAK WITH KNOTS

WHITENED OAK WITH KNOTS

ASH GREY PIGMENTED OAK WITH KNOTS

WHITE MILK PIGMENTED OAK WITH KNOTS

OAK WITH KNOTS

VINTAGE OAK WITH KNOTS

ELM



OAK WITHOUT KNOTS



WALNUT WITHOUT KNOTS



WALNUT WITH KNOTS



CHERRYWOOD



CEDAR VULCANO



MAPLE

## AVAILABLE FINISHES

**B2:** lacquered iron: matt transparent, iron dust, RAL (only selected colours)

**B3:** lacquered iron matt brushed effect: aged copper, aged bronze, stainless steel, titanium  
lacquered iron oxidised effect

## METAL AND FINISHES



LACQUERED IRON  
TITANIUM MATT  
BRUSHED EFFECT



LACQUERED IRON  
AGED BRONZE MATT  
BRUSHED EFFECT



LACQUERED IRON  
AGED COPPER MATT  
BRUSHED EFFECT



LACQUERED IRON  
STAINLESS STEEL  
MATT BRUSHED  
EFFECT



RAL 3020 TRAFFIC  
RED



RAL 9005 JET BLACK



RAL 8019 GREY  
BROWN



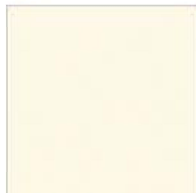
RAL 7037 DUSTY  
GREY



RAL 7035 LIGHT GREY



RAL 9016 TRAFFIC  
WHITE



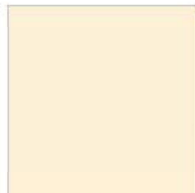
RAL 9010 PURE  
WHITE



RAL 1013 OYSTER  
WHITE



RAL 9002 GREY  
WHITE



RAL 9001 CREAM  
WHITE



IRONDUST  
LACQUERED IRON