

# MONDO

Following Jasper Morrison's design philosophy of transforming everyday objects into something extraordinary, Trivio's balanced proportions enhance a particular way of collaboration. The table features a simple, clean and light contour that converses naturally with the aesthetics of any environment, conveying a sense of calmness that makes everything come to life. The table collection

complements different working or unwinding scenarios such as restaurants, bars, canteens, coworking spaces, libraries and meeting rooms in corporate environments. One size, one height, but many combinations to shape a remarkable oak table, designed from an ordinary object and transformed by the london-based designer into something truly extraordinary.



# MONDO

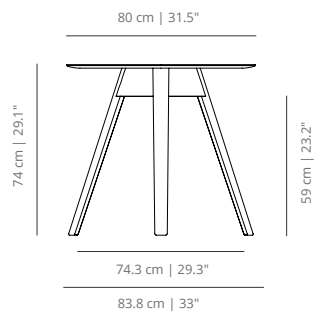
## Trivio table



Trivio table,  
ash finish, orange  
SKU:VIMOB-601-TRI80

### TRIVIO

TR180\_  
table 80Ø



### Connectivity



1. USB port
3. Battery pack
4. Center of the table built-in socket

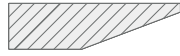
# MONDO

## TABLETOPS MATERIALS

---

### MDF - STAINED & LACQUERED

The 30 mm thick cover or work surface is made with microtextured MDF. It is lacquered with one of our collection's finishes. It also comes with a solid oak veneer, stained in mate, cognac or ash.



30 mm 1 1.18"



bleached stained oak



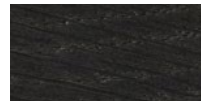
matt stained oak



cognac stained oak



walnut stained oak



ash stained oak



white (open pore) stained oak



white  
RAL 9003



black  
RAL 9005



taupe  
RAL 1019



ochre  
RAL 1011



bronze



brick  
RAL 0505030



olive green  
RAL 0904030



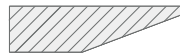
dusty green  
RAL 7034



dusty pink  
RAL 0607020

### HPL WITH MDF

High pressure HPL laminate in black or white on a 30 mm thick MDF board with stained edges in transparent.



30 mm 1 1.18"



black | soft touch by FENIX®



white

### LEGS

---

The legs are made of solid European oak, stained in the finishes of the collection.



bleached stained oak



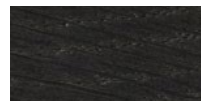
matt stained oak



cognac stained oak



walnut stained oak



ash stained oak



white (open pore) stained oak

# MONDO

## CONNECTOR

---

The join piece is made of steel, powder coated in thermoreinforced polyester in the finishes of the collection.



white  
RAL 9003



black  
RAL 9005



taupe  
RAL 1019



orange fluorescent  
RAL 2005

## ACCESSORIES & ELECTRIFICATIONS

---



**Wire holder.** Wire holder made of steel sheet, powder coated in thermoreinforced polyester. Mounting on the leg by manual adjustment without the need for tools. The fastening screws are included and installed.



**USB port.** Built-in USB hub for charging electronic devices, built in the center of the tabletop. The cable length is 1.0 m with USB connection. Available in black or white.



**Center of the table built-in SCHUKO/USB powerbox.** Built-in Schuko socket powerbox in the middle of the table for device charging.



**USB hub with battery.** USB hub with two USB device charging ports without being plugged into electric current. It's needed to buy the battery charging tray to charge the USB hub battery.



**Battery charging tray.** Charges up to 4 stations simultaneously in 7 hours. Includes magnetic key to remove the station from its support.