
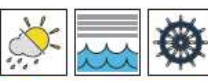























## TIBIDABO

Design CALVI BRAMBILLA

Collection in powder coated aluminium frame and hand woven man-made fibre.

 <p><b>Tavolo fisso</b> Fixed table</p>  <p><b>MODELLO REGISTRATO</b> REGISTERED MODEL</p>	<p><b>STRUTTURA</b> STRUCTURE</p>  <p>Grigio Seta Silk Grey</p>  <p>Bronzo Metal Metal Bronze</p>  <p>Grigio Grey</p>	<p><b>INTRECCIO</b> WEAVING</p> <p>PERLA</p>  <p>Cordino PERLA Rope</p> <p>BRONZO</p>  <p>Cordino VAR#TEX Rope BRONZO</p> <p>GREY BROWN</p>  <p>Cordino GREY Rope BROWN</p>	<p><b>TOP</b> TOP</p> <p>VETRO GLASS</p> <p>sp 0,8</p> <p>HPL HPL</p> <p>sp 1,2</p> <p>CERAMICA BOCCIARDATA BUSH-HAMMERED CERAMIC</p> <p>sp 1,2</p>	 <p><b>72,5 + top</b></p> <table border="1"> <tr> <td>3896</td> <td>Ø90</td> <td></td> <td>9451C</td> </tr> <tr> <td>3966</td> <td>Ø100</td> <td></td> <td>9420C</td> </tr> <tr> <td>3897</td> <td>Ø120</td> <td></td> <td>9420C</td> </tr> <tr> <td>3902</td> <td>Ø130</td> <td></td> <td>9420C</td> </tr> </table>	3896	Ø90		9451C	3966	Ø100		9420C	3897	Ø120		9420C	3902	Ø130		9420C	<p>istruzioni d'uso using instruction</p> <p>IGTAV</p>
	3896	Ø90		9451C																	
3966	Ø100		9420C																		
3897	Ø120		9420C																		
3902	Ø130		9420C																		
<p><b>cover</b></p> <p>9451C</p> <p>9420C</p> <p>9420C</p> <p>9420C</p>																					

### STRUCTURAL COMPONENTS

TABLE WITH ALUMINIUM FRAME AND SYNTHETIC FIBER WEAVING. FEET IN POLYPROPYLENE. EUROPA GREY GLASS, HPL OR BUSH-HAMMERED CERAMIC TOP.

### CHARACTERISTICS OF THE MATERIALS

CHARACTERISTICS OF THE MATERIALS AND FABRICS ARE DESCRIBED IN THE WEBSITE [www.varaschin.it](http://www.varaschin.it) FOLDER "MATERIALS" AND YOU CAN DOWNLOAD FROM FOLDER "DOWLOAD-MATERIALS".

### INSTRUCTIONS FOR USING THE PRODUCT PROPERLY AND SAFELY

VARASCHIN IS NOT LIABLE FOR DAMAGE CAUSED BY IMPROPER USE. THE SAME APPLIES TO DAMAGE DERIVING FROM USE IN EXTREME WEATHER CONDITIONS OR LACK OF CARE. TIPS FOR EXTENDING LONGEVITY OF COMPONENTS: DURING THE WINTER STORE IN A DRY AND CLOSED PLACE TO AVOID CONDENSATION. DO NOT STEP ON WITH FEET. DO NOT SWING BACK AND FORTH ON THE LEGS. DO NOT SIT. DO NOT USE AS A LADDER. VARASCHIN IS NOT LIABLE FOR DAMAGE CAUSED BY IMPROPER USE. IF NECESSARY, PLEASE CONTACT VARASCHIN SPA. WOOD COLOUR CHANGES MAY OCCUR AFTER SOME TIME DUE TO EXPOSURE TO SUNLIGHT. THIS PRODUCT "FEARS" HEAT SOURCES AND TOO MUCH HUMIDITY, THEREFORE PAY ATTENTION WHERE YOU PLACE IT.

### GENERAL INSTRUCTIONS FOR MAINTENANCE AND CLEANING

FOR DAILY CLEANING USE A DRY COTTON CLOTH. FOR MORE THOROUGH CLEANING USE ONLY A NEUTRAL PRODUCT DILUTED IN WARM WATER. NEVER USE ALCOHOL, AMMONIUM, THINNERS OR ABRASIVE PRODUCTS. IN MARINE ENVIRONMENTS ARTICLE SHOULD BE WEEKLY WHASED WITH FRESH WATER. FOR CLEANING AND TAKING CARE OF ALL MATERIALS AND FABRICS, SEE THE FOLDER "DOWNLOAD-MAINTENANCE" FROM OUR WEBSITE [www.varaschin.it](http://www.varaschin.it) OR ASK FOR IT VIA E-MAIL AT [customer-care@varaschin.it](mailto:customer-care@varaschin.it)

### GENERAL INFORMATION

N.B.: VARASCHIN SPA GUARANTEES THAT THE PRODUCT IS MADE OF QUALITY MATERIALS, USING THE BEST TECHNOLOGIES IN THE TRADE. THE COMPANY DECLINES ALL AND ANY LIABILITY FOR DAMAGE TO PERSONS AND/OR THINGS DUE TO IMPROPER USE OF THE PRODUCT. IF IN DOUBT PLEASE CONTACT THE MANUFACTURER.

### DISPOSAL

PLEASE DO NOT JUST THROW OUT THE PIECE OF FURNITURE OR ANY PART OF IT. AT THE END OF ITS USE, PROVIDE FOR THE RECYCLING OR DISPOSAL OF THE COMPONENTS IN THE APPROPRIATE AREAS.

### FIRE-FIGHTING MEASURES

ALTHOUGH THE PRODUCT IS NOT INFLAMMABLE, IT IS COMBUSTIBLE. THERE ARE NO RESTRICTIONS ON THE TYPES OF EXTINGUISHERS: POWDER, WATER, FOAM OR CO2. USE SUITABLE PROTECTION TO AVOID BREATHING IN FUMES. DURING DISPOSAL TAKE SPECIAL CARE TO PROTECT THE RESPIRATORY SYSTEM.

### PRODUCT WARRANTY

REFER TO ARTICLE 3 "PRODUCT WARRANTY" PUBLISHED ON SALES CONDITIONS, DOCUMENTS OF SALE, WEBSITE [www.varaschin.it](http://www.varaschin.it)

**TECHNICAL INFO SHEET:** This product information sheet complies with Italian Legislative Decree No. 206 of 6 September 2005, "Consumer Code".

The information given above refers to the latest data published in the price list. The company reserves the right to alter the models without notice.

COMPANY WITH SYSTEM MANAGEMENT QUALITY CERTIFIED **UNI EN ISO 9001: 2015**



## TIBIDABO

Design CALVI BRAMBILLA

Collection in powder coated aluminium frame and hand woven man-made fibre.

<p><b>Tavolino</b> Coffee table</p> <p>MODELLO REGISTRATO REGISTERED MODEL</p>	<p><b>STRUTTURA</b> STRUCTURE</p> <p>Grigio Seta Silk Grey</p>	<p><b>INTRECCIO</b> WEAVING</p> <p>Cordino PERLA Rope</p>	<p><b>TOP</b> TOP</p> <p>VETRO sp. 0,8 cm GLASS 0,8 cm thick</p> <p>HPL sp. 1,2 cm HPL 1,2 cm thick</p>	<p><b>3107</b>    Ø65</p>	<p>istruzioni d'uso using instruction</p> <p>telo copertura cover</p> <p>IGTAV</p> <p>9441C</p>
	<p>Bronzo Metal Metal Bronze</p> <p>Cordino VAR#TEX Rope BRONZO</p>	<p>Cordino GREY Rope BROWN</p>	<p>CERAMICA BOCCIARDATA sp. 1,2 cm BUSH-HAMMERED CERAMIC 1,2 cm thick</p>	<p><b>3108</b>    Ø95</p>	<p>istruzioni d'uso using instruction</p> <p>telo copertura cover</p> <p>IGTAV</p> <p>9440C</p>

### STRUCTURAL COMPONENTS

COFFEE TABLE WITH POWDER COATED ALUMINIUM FRAME AND SYNTHETIC FIBER WEAVING. FEET IN POLYPROPYLENE. EUROPE GREY GLASS, HPL OR BUSH-HAMMERED CERAMIC TOP.

### CHARACTERISTICS OF THE MATERIALS

CHARACTERISTICS OF THE MATERIALS AND FABRICS ARE DESCRIBED IN THE WEBSITE [www.varaschin.it](http://www.varaschin.it) FOLDER "MATERIALS" AND YOU CAN DOWNLOAD FROM FOLDER "DOWLOAD-MATERIALS".

### INSTRUCTIONS FOR USING THE PRODUCT PROPERLY AND SAFELY

VARASCHIN IS NOT LIABLE FOR DAMAGE CAUSED BY IMPROPER USE. THE SAME APPLIES TO DAMAGE DERIVING FROM USE IN EXTREME WEATHER CONDITIONS OR LACK OF CARE. TIPS FOR EXTENDING LONGEVITY OF COMPONENTS: DURING THE WINTER STORE IN A DRY AND CLOSED PLACE TO AVOID CONDENSATION. DO NOT STEP ON WITH FEET. DO NOT SWING BACK AND FORTH ON THE LEGS. DO NOT SIT. DO NOT USE AS A LADDER. VARASCHIN IS NOT LIABLE FOR DAMAGE CAUSED BY IMPROPER USE. IF NECESSARY, PLEASE CONTACT VARASCHIN SPA. WOOD COLOUR CHANGES MAY OCCUR AFTER SOME TIME DUE TO EXPOSURE TO SUNLIGHT. THIS PRODUCT "FEARS" HEAT SOURCES AND TOO MUCH HUMIDITY, THEREFORE PAY ATTENTION WHERE YOU PLACE IT.

### GENERAL INSTRUCTIONS FOR MAINTENANCE AND CLEANING

FOR DAILY CLEANING USE A DRY COTTON CLOTH. FOR MORE THOROUGH CLEANING USE ONLY A NEUTRAL PRODUCT DILUTED IN WARM WATER. NEVER USE ALCOHOL, AMMONIUM, THINNERS OR ABRASIVE PRODUCTS. IN MARINE ENVIRONMENTS ARTICLE SHOULD BE WEEKLY WHASED WITH FRESH WATER. FOR CLEANING AND TAKING CARE OF ALL MATERIALS AND FABRICS, SEE THE FOLDER "DOWNLOAD-MAINTENANCE" FROM OUR WEBSITE [www.varaschin.it](http://www.varaschin.it) OR ASK FOR IT VIA E-MAIL AT [customer-care@varaschin.it](mailto:customer-care@varaschin.it)

### GENERAL INFORMATION

N.B.: VARASCHIN SPA GUARANTEES THAT THE PRODUCT IS MADE OF QUALITY MATERIALS, USING THE BEST TECHNOLOGIES IN THE TRADE. THE COMPANY DECLINES ALL AND ANY LIABILITY FOR DAMAGE TO PERSONS AND/OR THINGS DUE TO IMPROPER USE OF THE PRODUCT. IF IN DOUBT PLEASE CONTACT THE MANUFACTURER.

### DISPOSAL

PLEASE DO NOT JUST THROW OUT THE PIECE OF FURNITURE OR ANY PART OF IT. AT THE END OF ITS USE, PROVIDE FOR THE RECYCLING OR DISPOSAL OF THE COMPONENTS IN THE APPROPRIATE AREAS.

### FIRE-FIGHTING MEASURES

ALTHOUGH THE PRODUCT IS NOT INFLAMMABLE, IT IS COMBUSTIBLE. THERE ARE NO RESTRICTIONS ON THE TYPES OF EXTINGUISHERS: POWDER, WATER, FOAM OR CO2. USE SUITABLE PROTECTION TO AVOID BREATHING IN FUMES. DURING DISPOSAL TAKE SPECIAL CARE TO PROTECT THE RESPIRATORY SYSTEM.

### PRODUCT WARRANTY

REFER TO ARTICLE 3 "PRODUCT WARRANTY" PUBLISHED ON SALES CONDITIONS, DOCUMENTS OF SALE, WEBSITE [www.varaschin.it](http://www.varaschin.it)

**TECHNICAL INFO SHEET:** This product information sheet complies with Italian Legislative Decree No. 206 of 6 September 2005, "Consumer Code".

The information given above refers to the latest data published in the price list. The company reserves the right to alter the models without notice.

COMPANY WITH SYSTEM MANAGEMENT QUALITY CERTIFIED **UNI EN ISO 9001: 2015**



## TIBIDABO

Design CALVI BRAMBILLA

Collection in powder coated aluminum frame and hand woven man-made fibre. Cushions in "Dryfeel" outdoor foam.

**1067**  
**Poltrona**  
Armchair

**STRUTTURA**  
STRUCTURE

Grigio Seta  
Silk Grey

Bronzo Metal  
Metal Bronze

Grigio  
Grey

**INTRECCIO**  
WEAVING

Cordino PERLA  
Rope

Cordino VAR#TEX  
Rope BRONZO

Cordino GREY  
Rope BROWN

Pz	L	P	H
1	83	76	80
	32 <sup>5</sup> / <sub>8</sub>	29 <sup>7</sup> / <sub>8</sub>	31 <sup>1</sup> / <sub>2</sub>

m<sup>2</sup> 0,505 - Kg 21,0 tot.

Kg 14,0 net  
11,0 + 3,0 cusc.

**cuscino seduta e 1 cuscino schienale incluso**  
seat and 1 back cushion included  
1 pz - art. 2716 (60x60)

**MODELLO REGISTRATO**  
REGISTERED MODEL

istruzioni d'uso using instruction	IGSED
telo copertura cover	9450C

### STRUCTURAL COMPONENTS

ARMCHAIR WITH POWDER COATED ALUMINIUM FRAME AND SYNTHETIC FIBER WEAVING. FEET IN POLYPROPYLENE.

**SEAT:** QUICK DRY POLYURETHANE PADDING IN SEVERAL DENSITIES + RESIN POLYESTER FIBER, WITH OUTSIDE TOP MESH IN POLYESTER AND OUTSIDE BOTTOM MESH IN POLYPROPYLENE. REMOVABLE CUSHION COVER.

**BACK CUSHION:** 100% SPIRAL SILICON POLYESTER FIBER PADDING WITH OUTSIDE MESH IN POLYPROPYLENE. REMOVABLE CUSHION COVER.

### CHARACTERISTICS OF THE MATERIALS

CHARACTERISTICS OF THE MATERIALS AND FABRICS ARE DESCRIBED IN THE WEBSITE [www.varaschin.it](http://www.varaschin.it) FOLDER "MATERIALS" AND YOU CAN DOWNLOAD FROM FOLDER "DOWNLOAND-MATERIALS".

### INSTRUCTIONS FOR USING THE PRODUCT PROPERLY AND SAFELY

VARASCHIN IS NOT LIABLE FOR DAMAGE CAUSED BY IMPROPER USE. THE SAME APPLIES TO DAMAGE DERIVING FROM USE IN EXTREME WEATHER CONDITIONS OR LACK OF CARE. TIPS FOR EXTENDING LONGEVITY OF COMPONENTS: DURING THE WINTER STORE IN A DRY AND CLOSED PLACE TO AVOID CONDENSATION .

DO NOT STEP ON WITH FEET. DO NOT SWING BACK AND FORTH ON THE LEGS. DO NOT SIT ON THE BACK OR ON ARMS. DO NOT USE AS A LADDER. BUTTONS AND THE ZIPPERS OF CLOTHING MAY CAUSE DAMAGE TO THE MATERIALS. IF NECESSARY, PLEASE CONTACT VARASCHIN SPA.

### GENERAL INSTRUCTIONS FOR MAINTENANCE AND CLEANING

FOR DAILY CLEANING USE A DRY COTTON CLOTH. FOR MORE THOROUGH CLEANING USE ONLY A NEUTRAL PRODUCT DILUTED IN WARM WATER. NEVER USE ALCOHOL, AMMONIUM, THINNERS OR ABRASIVE PRODUCTS. IN MARINE ENVIRONMENTS ARTICLE SHOULD BE WEEKLY WHASD WITH FRESH WATER.

FOR CLEANING AND TAKING CARE OF ALL MATERIALS AND FABRICS, SEE THE FOLDER "DOWNLOAD-MAINTENANCE" FROM OUR WEBSITE [www.varaschin.it](http://www.varaschin.it) OR ASK FOR IT VIA E-MAIL AT [customercare@varaschin.it](mailto:customercare@varaschin.it)

### GENERAL INFORMATION

N.B.: VARASCHIN SPA GUARANTEES THAT THE PRODUCT IS MADE OF QUALITY MATERIALS, USING THE BEST TECHNOLOGIES IN THE TRADE. THE COMPANY DECLINES ALL AND ANY LIABILITY FOR DAMAGE TO PERSONS AND/OR THINGS DUE TO IMPROPER USE OF THE PRODUCT. IF IN DOUBT PLEASE CONTACT THE MANUFACTURER.

### DISPOSAL

PLEASE DO NOT JUST THROW OUT THE PIECE OF FURNITURE OR ANY PART OF IT. AT THE END OF ITS USE, PROVIDE FOR THE RECYCLING OR DISPOSAL OF THE COMPONENTS IN THE APPROPRIATE AREAS.

### FIRE-FIGHTING MEASURES

ALTHOUGH THE PRODUCT IS NOT INFLAMMABLE, IT IS COMBUSTIBLE. THERE ARE NO RESTRICTIONS ON THE TYPES OF EXTINGUISHERS: POWDER, WATER, FOAM OR CO2. USE SUITABLE PROTECTION TO AVOID BREATHING IN FUMES. DURING DISPOSAL TAKE SPECIAL CARE TO PROTECT THE RESPIRATORY SYSTEM.

### PRODUCT WARRANTY

REFER TO ARTICLE 3 "PRODUCT WARRANTY" PUBLISHED ON SALES CONDITIONS, DOCUMENTS OF SALE, WEBSITE [www.varaschin.it](http://www.varaschin.it)

**TECHNICAL INFO SHEET:** This product information sheet complies with Italian Legislative Decree No. 206 of 6 September 2005, "Consumer Code".

The information given above refers to the latest data published in the price list. The company reserves the right to alter the models without notice.

COMPANY WITH SYSTEM MANAGEMENT QUALITY CERTIFIED **UNI EN ISO 9001: 2015**



## TIBIDABO

Design CALVI BRAMBILLA

Collection in powder coated aluminum frame and hand woven man-made fibre. Cushions in "Dryfeel" outdoor foam.

**1069**  
**Poltrona alta**  
High back armchair

**cuscino seduta e 1 cuscino schienale incluso**  
seat and 1 back cushion included  
1 pz - art. 2716 (60x60)

**STRUTTURA**  
STRUCTURE

**INTRECCIO**  
WEAVING

Pz	L	P	H
1	105	86	131
	41 <sup>3</sup> / <sub>8</sub>	33 <sup>7</sup> / <sub>8</sub>	51 <sup>5</sup> / <sub>8</sub>

**m<sup>3</sup> 1,183 - Kg 29,0 tot.**

**Kg 19,2 net**  
16,2 + 3,0 cusc.

**Cuscini compresi**  
Cushions included

istruzioni d'uso using instruction	IGSED
telo copertura cover	9480C

### STRUCTURAL COMPONENTS

HIGH BACK ARMCHAIR WITH POWDER COATED ALUMINIUM FRAME AND SYNTHETIC FIBER WEAVING. FEET IN POLYPROPYLENE.

**SEAT:** QUICK DRY POLYURETHANE PADDING IN SEVERAL DENSITIES + RESIN POLYESTER FIBER, WITH OUTSIDE TOP MESH IN POLYESTER AND OUTSIDE BOTTOM MESH IN POLYPROPYLENE. REMOVABLE CUSHION COVER.

**BACK CUSHION:** 100% SPIRAL SILICON POLYESTER FIBER PADDING WITH OUTSIDE MESH IN POLYPROPYLENE. REMOVABLE CUSHION COVER.

### CHARACTERISTICS OF THE MATERIALS

CHARACTERISTICS OF THE MATERIALS AND FABRICS ARE DESCRIBED IN THE WEBSITE [www.varaschin.it](http://www.varaschin.it) FOLDER "MATERIALS" AND YOU CAN DOWNLOAD FROM FOLDER "DOWNLOAND-MATERIALS".

### INSTRUCTIONS FOR USING THE PRODUCT PROPERLY AND SAFELY

VARASCHIN IS NOT LIABLE FOR DAMAGE CAUSED BY IMPROPER USE. THE SAME APPLIES TO DAMAGE DERIVING FROM USE IN EXTREME WEATHER CONDITIONS OR LACK OF CARE. TIPS FOR EXTENDING LONGEVITY OF COMPONENTS: DURING THE WINTER STORE IN A DRY AND CLOSED PLACE TO AVOID CONDENSATION .

DO NOT STEP ON WITH FEET. DO NOT SWING BACK AND FORTH ON THE LEGS. DO NOT SIT ON THE BACK OR ON ARMS. DO NOT USE AS A LADDER. BUTTONS AND THE ZIPPERS OF CLOTHING MAY CAUSE DAMAGE TO THE MATERIALS. IF NECESSARY, PLEASE CONTACT VARASCHIN SPA.

### GENERAL INSTRUCTIONS FOR MAINTENANCE AND CLEANING

FOR DAILY CLEANING USE A DRY COTTON CLOTH. FOR MORE THOROUGH CLEANING USE ONLY A NEUTRAL PRODUCT DILUTED IN WARM WATER. NEVER USE ALCOHOL, AMMONIUM, THINNERS OR ABRASIVE PRODUCTS. IN MARINE ENVIRONMENTS ARTICLE SHOULD BE WEEKLY WHASED WITH FRESH WATER.

FOR CLEANING AND TAKING CARE OF ALL MATERIALS AND FABRICS, SEE THE FOLDER "DOWNLOAD-MAINTENANCE" FROM OUR WEBSITE [www.varaschin.it](http://www.varaschin.it) OR ASK FOR IT VIA E-MAIL AT [customercare@varaschin.it](mailto:customercare@varaschin.it)

### GENERAL INFORMATION

N.B.: VARASCHIN SPA GUARANTEES THAT THE PRODUCT IS MADE OF QUALITY MATERIALS, USING THE BEST TECHNOLOGIES IN THE TRADE. THE COMPANY DECLINES ALL AND ANY LIABILITY FOR DAMAGE TO PERSONS AND/OR THINGS DUE TO IMPROPER USE OF THE PRODUCT. IF IN DOUBT PLEASE CONTACT THE MANUFACTURER.

### DISPOSAL

PLEASE DO NOT JUST THROW OUT THE PIECE OF FURNITURE OR ANY PART OF IT. AT THE END OF ITS USE, PROVIDE FOR THE RECYCLING OR DISPOSAL OF THE COMPONENTS IN THE APPROPRIATE AREAS.

### FIRE-FIGHTING MEASURES

ALTHOUGH THE PRODUCT IS NOT INFLAMMABLE, IT IS COMBUSTIBLE. THERE ARE NO RESTRICTIONS ON THE TYPES OF EXTINGUISHERS: POWDER, WATER, FOAM OR CO2. USE SUITABLE PROTECTION TO AVOID BREATHING IN FUMES. DURING DISPOSAL TAKE SPECIAL CARE TO PROTECT THE RESPIRATORY SYSTEM.

### PRODUCT WARRANTY

REFER TO ARTICLE 3 "PRODUCT WARRANTY" PUBLISHED ON SALES CONDITIONS, DOCUMENTS OF SALE, WEBSITE [www.varaschin.it](http://www.varaschin.it)

**TECHNICAL INFO SHEET:** This product information sheet complies with Italian Legislative Decree No. 206 of 6 September 2005, "Consumer Code".

The information given above refers to the latest data published in the price list. The company reserves the right to alter the models without notice.

**COMPANY WITH SYSTEM MANAGEMENT QUALITY CERTIFIED UNI EN ISO 9001: 2015**





## TIBIDABO

Design CALVI BRAMBILLA

Collection in powder coated aluminum frame and hand woven man-made fibre. Cushions in "Dryfeel" outdoor foam.

**1246**  
**Divano 2 posti**  
2 seater sofa

**STRUTTURA**  
STRUCTURE

Grigio Seta  
Silk Grey

Bronzo Metal  
Metal Bronze

Grigio  
Grey

**INTRECCIO**  
WEAVING

Cordino PERLA  
Rope

Cordino VAR#TEX  
Rope BRONZO

Cordino GREY  
Rope BROWN

Pz	L	P	H
1	172	83	79
	67 <sup>3</sup> / <sub>4</sub>	32 <sup>5</sup> / <sub>8</sub>	31 <sup>1</sup> / <sub>8</sub>

**m<sup>3</sup> 1,128 - Kg 37,0 tot.**

**Kg 30,2 net**  
20,2 + 10,0 cusc.

**Cuscini compresi**  
Cushions included

istruzioni d'uso using instruction	IGSED
telo copertura cover	9460C

**MODELLO REGISTRATO**  
REGISTERED MODEL

### STRUCTURAL COMPONENTS

2 SEATER SOFA WITH POWDER COATED ALUMINIUM FRAME AND SYNTHETIC FIBER WEAVING. FEET IN POLYPROPYLENE.

**SEAT:** QUICK DRY POLYURETHANE PADDING IN SEVERAL DENSITIES + RESIN POLYESTER FIBER, WITH OUTSIDE TOP MESH IN POLYESTER AND OUTSIDE BOTTOM MESH IN POLYPROPYLENE. REMOVABLE CUSHION COVER.

**BACK CUSHION:** 100% SPIRAL SILICON POLYESTER FIBER PADDING WITH OUTSIDE MESH IN POLYPROPYLENE. REMOVABLE CUSHION COVER.

### CHARACTERISTICS OF THE MATERIALS

CHARACTERISTICS OF THE MATERIALS AND FABRICS ARE DESCRIBED IN THE WEBSITE [www.varaschin.it](http://www.varaschin.it) FOLDER "MATERIALS" AND YOU CAN DOWNLOAD FROM FOLDER "DOWNLOAND-MATERIALS".

### INSTRUCTIONS FOR USING THE PRODUCT PROPERLY AND SAFELY

VARASCHIN IS NOT LIABLE FOR DAMAGE CAUSED BY IMPROPER USE. THE SAME APPLIES TO DAMAGE DERIVING FROM USE IN EXTREME WEATHER CONDITIONS OR LACK OF CARE. TIPS FOR EXTENDING LONGEVITY OF COMPONENTS: DURING THE WINTER STORE IN A DRY AND CLOSED PLACE TO AVOID CONDENSATION .

DO NOT STEP ON WITH FEET. DO NOT SWING BACK AND FORTH ON THE LEGS. DO NOT SIT ON THE BACK OR ON ARMS. DO NOT USE AS A LADDER. BUTTONS AND THE ZIPPERS OF CLOTHING MAY CAUSE DAMAGE TO THE MATERIALS. IF NECESSARY, PLEASE CONTACT VARASCHIN SPA.

### GENERAL INSTRUCTIONS FOR MAINTENANCE AND CLEANING

FOR DAILY CLEANING USE A DRY COTTON CLOTH. FOR MORE THOROUGH CLEANING USE ONLY A NEUTRAL PRODUCT DILUTED IN WARM WATER. NEVER USE ALCOHOL, AMMONIUM, THINNERS OR ABRASIVE PRODUCTS. IN MARINE ENVIRONMENTS ARTICLE SHOULD BE WEEKLY WHASD WITH FRESH WATER.

FOR CLEANING AND TAKING CARE OF ALL MATERIALS AND FABRICS, SEE THE FOLDER "DOWNLOAD-MAINTENANCE" FROM OUR WEBSITE [www.varaschin.it](http://www.varaschin.it) OR ASK FOR IT VIA E-MAIL AT [customer-care@varaschin.it](mailto:customer-care@varaschin.it)

### GENERAL INFORMATION

N.B.: VARASCHIN SPA GUARANTEES THAT THE PRODUCT IS MADE OF QUALITY MATERIALS, USING THE BEST TECHNOLOGIES IN THE TRADE. THE COMPANY DECLINES ALL AND ANY LIABILITY FOR DAMAGE TO PERSONS AND/OR THINGS DUE TO IMPROPER USE OF THE PRODUCT. IF IN DOUBT PLEASE CONTACT THE MANUFACTURER.

### DISPOSAL

PLEASE DO NOT JUST THROW OUT THE PIECE OF FURNITURE OR ANY PART OF IT. AT THE END OF ITS USE, PROVIDE FOR THE RECYCLING OR DISPOSAL OF THE COMPONENTS IN THE APPROPRIATE AREAS.

### FIRE-FIGHTING MEASURES

ALTHOUGH THE PRODUCT IS NOT INFLAMMABLE, IT IS COMBUSTIBLE. THERE ARE NO RESTRICTIONS ON THE TYPES OF EXTINGUISHERS: POWDER, WATER, FOAM OR CO2. USE SUITABLE PROTECTION TO AVOID BREATHING IN FUMES. DURING DISPOSAL TAKE SPECIAL CARE TO PROTECT THE RESPIRATORY SYSTEM.

### PRODUCT WARRANTY

REFER TO ARTICLE 3 "PRODUCT WARRANTY" PUBLISHED ON SALES CONDITIONS, DOCUMENTS OF SALE, WEBSITE [www.varaschin.it](http://www.varaschin.it)

**TECHNICAL INFO SHEET:** This product information sheet complies with Italian Legislative Decree No. 206 of 6 September 2005, "Consumer Code".

The information given above refers to the latest data published in the price list. The company reserves the right to alter the models without notice.


COMPANY WITH SYSTEM MANAGEMENT QUALITY CERTIFIED **UNI EN ISO 9001: 2015**



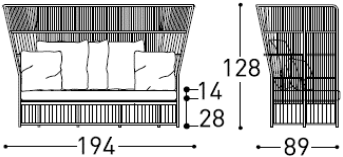
## TIBIDABO

Design CALVI BRAMBILLA

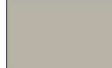
Collection in powder coated aluminum frame and hand woven man-made fibre. Cushions in "Dryfeel" outdoor foam.




**1248**  
Divano alto  
High back sofa




**STRUTTURA**  
STRUCTURE



Grigio Seta  
Silk Grey




Bronzo Metal  
Metal Bronze




Grigio  
Grey


**INTRECCIO**  
WEAVING



Cordino PERLA  
Rope



Cordino VAR#TEX  
Rope BRONZO



Cordino GREY  
Rope BROWN

Pz	L	P	H
1	197	92	132
	77 1/2	36 1/4	52

m<sup>3</sup> 2,392 - Kg 47,0 tot.

Kg 37,0 net  
27,0 + 10,0 cusc.

**Cuscini compresi**  
Cushions included

istruzioni d'uso using instruction	IGSED
telo copertura cover	9485C

**1248**  
cuscino seduta e 5 cuscini schienale inclusi  
seat and 5 back cushions included  
2 pz - art. 2708 (45x45) | 3 pz - art. 2716 (60x60)

**MODELLO REGISTRATO**  
REGISTERED MODEL

### STRUCTURAL COMPONENTS

HIGH BACK SOFA WITH POWDER COATED ALUMINIUM FRAME AND SYNTHETIC FIBER WEAVING. FEET IN POLYPROPYLENE.

**SEAT:** QUICK DRY POLYURETHANE PADDING IN SEVERAL DENSITIES + RESIN POLYESTER FIBER, WITH OUTSIDE TOP MESH IN POLYESTER AND OUTSIDE BOTTOM MESH IN POLYPROPYLENE. REMOVABLE CUSHION COVER.

**BACK CUSHION:** 100% SPIRAL SILICON POLYESTER FIBER PADDING WITH OUTSIDE MESH IN POLYPROPYLENE. REMOVABLE CUSHION COVER.

### CHARACTERISTICS OF THE MATERIALS

CHARACTERISTICS OF THE MATERIALS AND FABRICS ARE DESCRIBED IN THE WEBSITE [www.varaschin.it](http://www.varaschin.it) FOLDER "MATERIALS" AND YOU CAN DOWNLOAD FROM FOLDER "DOWNLOAND-MATERIALS".

### INSTRUCTIONS FOR USING THE PRODUCT PROPERLY AND SAFELY

VARASCHIN IS NOT LIABLE FOR DAMAGE CAUSED BY IMPROPER USE. THE SAME APPLIES TO DAMAGE DERIVING FROM USE IN EXTREME WEATHER CONDITIONS OR LACK OF CARE. TIPS FOR EXTENDING LONGEVITY OF COMPONENTS: DURING THE WINTER STORE IN A DRY AND CLOSED PLACE TO AVOID CONDENSATION . DO NOT STEP ON WITH FEET. DO NOT SWING BACK AND FORTH ON THE LEGS. DO NOT SIT ON THE BACK OR ON ARMS. DO NOT USE AS A LADDER. BUTTONS AND THE ZIPPERS OF CLOTHING MAY CAUSE DAMAGE TO THE MATERIALS. IF NECESSARY, PLEASE CONTACT VARASCHIN SPA.

### GENERAL INSTRUCTIONS FOR MAINTENANCE AND CLEANING

FOR DAILY CLEANING USE A DRY COTTON CLOTH. FOR MORE THOROUGH CLEANING USE ONLY A NEUTRAL PRODUCT DILUTED IN WARM WATER. NEVER USE ALCOHOL, AMMONIUM, THINNERS OR ABRASIVE PRODUCTS. IN MARINE ENVIRONMENTS ARTICLE SHOULD BE WEEKLY WHASED WITH FRESH WATER.

FOR CLEANING AND TAKING CARE OF ALL MATERIALS AND FABRICS, SEE THE FOLDER "DOWNLOAD-MAINTENANCE" FROM OUR WEBSITE [www.varaschin.it](http://www.varaschin.it) OR ASK FOR IT VIA E-MAIL AT [customer-care@varaschin.it](mailto:customer-care@varaschin.it)

### GENERAL INFORMATION

N.B.: VARASCHIN SPA GUARANTEES THAT THE PRODUCT IS MADE OF QUALITY MATERIALS, USING THE BEST TECHNOLOGIES IN THE TRADE. THE COMPANY DECLINES ALL AND ANY LIABILITY FOR DAMAGE TO PERSONS AND/OR THINGS DUE TO IMPROPER USE OF THE PRODUCT. IF IN DOUBT PLEASE CONTACT THE MANUFACTURER.

### DISPOSAL

PLEASE DO NOT JUST THROW OUT THE PIECE OF FURNITURE OR ANY PART OF IT. AT THE END OF ITS USE, PROVIDE FOR THE RECYCLING OR DISPOSAL OF THE COMPONENTS IN THE APPROPRIATE AREAS.

### FIRE-FIGHTING MEASURES

ALTHOUGH THE PRODUCT IS NOT INFLAMMABLE, IT IS COMBUSTIBLE. THERE ARE NO RESTRICTIONS ON THE TYPES OF EXTINGUISHERS: POWDER, WATER, FOAM OR CO2. USE SUITABLE PROTECTION TO AVOID BREATHING IN FUMES. DURING DISPOSAL TAKE SPECIAL CARE TO PROTECT THE RESPIRATORY SYSTEM.

### PRODUCT WARRANTY

REFER TO ARTICLE 3 "PRODUCT WARRANTY" PUBLISHED ON SALES CONDITIONS, DOCUMENTS OF SALE, WEBSITE [www.varaschin.it](http://www.varaschin.it)

**TECHNICAL INFO SHEET:** This product information sheet complies with Italian Legislative Decree No. 206 of 6 September 2005, "Consumer Code".

The information given above refers to the latest data published in the price list. The company reserves the right to alter the models without notice.

COMPANY WITH SYSTEM MANAGEMENT QUALITY CERTIFIED **UNI EN ISO 9001: 2015**



## TIBIDABO

Design CALVI BRAMBILLA

Collection in powder coated aluminum frame and hand woven man-made fibre. Cushions in "Dryfeel" outdoor foam.

<b>STRUTTURA</b> STRUCTURE  Grigio Seta Silk Grey  Bronzo Metal Metal Bronze  Grigio Grey <b>ISTRUZIONI D'USO</b> using instruction <b>Telo copertura</b> cover  MUNTO DI 2 PIEDINI CON RUOTE 2 FEET WITH WHEELS	<b>INTRECCIO</b> WEAVING  Cordino PERLA Rope  Cordino VARWETEX Rope BRONZO  Cordino GREY Rope BROWN	 <b>1420</b> Daybed base Base Daybed <table border="1"> <thead> <tr> <th>Pz</th> <th>L</th> <th>P</th> <th>H</th> </tr> </thead> <tbody> <tr> <td>1</td> <td>167</td> <td>189</td> <td>70</td> </tr> <tr> <td></td> <td>65<sup>3</sup>/<sub>4</sub></td> <td>74<sup>3</sup>/<sub>8</sub></td> <td>27<sup>1</sup>/<sub>2</sub></td> </tr> </tbody> </table> <b>m<sup>3</sup> 2,209 - Kg 62,0 tot.</b> <b>Kg 53,0 net</b> 32,0 + 21,0 cusc. <b>Cuscini compresi</b> Cushions included <b>cuscino seduta e 2 cuscini schienale inclusi</b> seat and 2 back cushions included 2 pz - art. 2729 (70X55) 	Pz	L	P	H	1	167	189	70		65 <sup>3</sup> / <sub>4</sub>	74 <sup>3</sup> / <sub>8</sub>	27 <sup>1</sup> / <sub>2</sub>	 <b>1420A</b> Daybed CONFORT CONFORT Daybed <table border="1"> <thead> <tr> <th>Pz</th> <th>L</th> <th>P</th> <th>H</th> </tr> </thead> <tbody> <tr> <td>1</td> <td>167</td> <td>189</td> <td>70</td> </tr> <tr> <td></td> <td>65<sup>3</sup>/<sub>4</sub></td> <td>74<sup>3</sup>/<sub>8</sub></td> <td>27<sup>1</sup>/<sub>2</sub></td> </tr> </tbody> </table> <b>m<sup>3</sup> 2,209 - Kg 64,0 tot.</b> <b>Kg 55,0 net</b> 32,0 + 23,0 cusc. <b>Cuscini compresi</b> Cushions included <b>cuscino seduta e 4 cuscini schienale inclusi</b> seat and 4 back cushions included 2 pz - art. 2729 (70X55)   2 pz - art. 2726 (60X40) 	Pz	L	P	H	1	167	189	70		65 <sup>3</sup> / <sub>4</sub>	74 <sup>3</sup> / <sub>8</sub>	27 <sup>1</sup> / <sub>2</sub>
Pz	L	P	H																								
1	167	189	70																								
	65 <sup>3</sup> / <sub>4</sub>	74 <sup>3</sup> / <sub>8</sub>	27 <sup>1</sup> / <sub>2</sub>																								
Pz	L	P	H																								
1	167	189	70																								
	65 <sup>3</sup> / <sub>4</sub>	74 <sup>3</sup> / <sub>8</sub>	27 <sup>1</sup> / <sub>2</sub>																								

### STRUCTURAL COMPONENTS

DAYBED WITH POWDER COATED ALUMINIUM FRAME AND SYNTHETIC FIBER WEAVING. FEET IN POLYPROPYLENE.

**SEAT:** QUICK DRY POLYURETHANE PADDING IN SEVERAL DENSITIES + RESIN POLYESTER FIBER, WITH OUTSIDE TOP MESH IN POLYESTER AND OUTSIDE BOTTOM MESH IN POLYPROPYLENE. REMOVABLE CUSHION COVER.

**BACK CUSHION:** 100% SPIRAL SILICON POLYESTER FIBER PADDING WITH OUTSIDE MESH IN POLYPROPYLENE. REMOVABLE CUSHION COVER.

### CHARACTERISTICS OF THE MATERIALS

CHARACTERISTICS OF THE MATERIALS AND FABRICS ARE DESCRIBED IN THE WEBSITE [www.varaschin.it](http://www.varaschin.it) FOLDER "MATERIALS" AND YOU CAN DOWNLOAD FROM FOLDER "DOWLOAD-MATERIALS".

### INSTRUCTIONS FOR USING THE PRODUCT PROPERLY AND SAFELY

VARASCHIN IS NOT LIABLE FOR DAMAGE CAUSED BY IMPROPER USE. THE SAME APPLIES TO DAMAGE DERIVING FROM USE IN EXTREME WEATHER CONDITIONS OR LACK OF CARE. TIPS FOR EXTENDING LONGEVITY OF COMPONENTS: DURING THE WINTER STORE IN A DRY AND CLOSED PLACE TO AVOID CONDENSATION .

DO NOT STEP ON WITH FEET. DO NOT SWING BACK AND FORTH ON THE LEGS. DO NOT SIT ON THE BACK OR ON ARMS. DO NOT USE AS A LADDER. BUTTONS AND THE ZIPPERS OF CLOTHING MAY CAUSE DAMAGE TO THE MATERIALS. IF NECESSARY, PLEASE CONTACT VARASCHIN SPA.

### GENERAL INSTRUCTIONS FOR MAINTENANCE AND CLEANING

FOR DAILY CLEANING USE A DRY COTTON CLOTH. FOR MORE THOROUGH CLEANING USE ONLY A NEUTRAL PRODUCT DILUTED IN WARM WATER. NEVER USE ALCOHOL, AMMONIUM, THINNERS OR ABRASIVE PRODUCTS. IN MARINE ENVIRONMENTS ARTICLE SHOULD BE WEEKLY WHASED WITH FRESH WATER.

FOR CLEANING AND TAKING CARE OF ALL MATERIALS AND FABRICS, SEE THE FOLDER "DOWNLOAD-MAINTENANCE" FROM OUR WEBSITE [www.varaschin.it](http://www.varaschin.it) OR ASK FOR IT VIA E-MAIL AT [customercare@varaschin.it](mailto:customercare@varaschin.it)

### GENERAL INFORMATION

N.B.: VARASCHIN SPA GUARANTEES THAT THE PRODUCT IS MADE OF QUALITY MATERIALS, USING THE BEST TECHNOLOGIES IN THE TRADE. THE COMPANY DECLINES ALL AND ANY LIABILITY FOR DAMAGE TO PERSONS AND/OR THINGS DUE TO IMPROPER USE OF THE PRODUCT. IF IN DOUBT PLEASE CONTACT THE MANUFACTURER.

### DISPOSAL

PLEASE DO NOT JUST THROW OUT THE PIECE OF FURNITURE OR ANY PART OF IT. AT THE END OF ITS USE, PROVIDE FOR THE RECYCLING OR DISPOSAL OF THE COMPONENTS IN THE APPROPRIATE AREAS.

### FIRE-FIGHTING MEASURES

ALTHOUGH THE PRODUCT IS NOT INFLAMMABLE, IT IS COMBUSTIBLE. THERE ARE NO RESTRICTIONS ON THE TYPES OF EXTINGUISHERS: POWDER, WATER, FOAM OR CO2. USE SUITABLE PROTECTION TO AVOID BREATHING IN FUMES. DURING DISPOSAL TAKE SPECIAL CARE TO PROTECT THE RESPIRATORY SYSTEM.

### PRODUCT WARRANTY

REFER TO ARTICLE 3 "PRODUCT WARRANTY" PUBLISHED ON SALES CONDITIONS, DOCUMENTS OF SALE, WEBSITE [www.varaschin.it](http://www.varaschin.it)

**TECHNICAL INFO SHEET:** This product information sheet complies with Italian Legislative Decree No. 206 of 6 September 2005, "Consumer Code".

The information given above refers to the latest data published in the price list. The company reserves the right to alter the models without notice.

COMPANY WITH SYSTEM MANAGEMENT QUALITY CERTIFIED **UNI EN ISO 9001: 2015**





## TIBIDABO

Design CALVI BRAMBILLA

Supporting structure in powder coated steel tube with C5M cycle (suitable for use in marine areas). Two-seater seat with powder-coated aluminum frame and hand-woven synthetic fiber rope (PVC), seat and back cushions stuffed with Dryfeel outdoor foam. Suspended version with a pair of supporting ropes.

### 1421 Altalena Nest

Altalena con struttura, corde, cuscino seduta e 2 cuscini schienale inclusi  
Swing with structure, ropes, seat and 2 back cushions included  
2 pz - art. 2734 (55x75)

**2 COLLI / PIECES**

collo struttura				collo cesta			
Pz	L	P	H	Pz	L	P	H
1	215	152	39	1	154	78	84
	84 5/8	59 7/8	15 3/8		60 5/8	30 3/4	33 1/8
m³ 1,275 - Kg 42,7 tot.				m³ 1,009 - Kg 32,4 tot.			
Kg 32,0 net				Kg 26,4 net			
				18,0 + 8,4 cusc.			

**TEST ART.** 1421  
 Requisiti generali di sicurezza EN 581-1:2017 | TEST SUPERATO - NESSUN DIFETTO  
 Carico statico su sedile e schienale EN 1728:2012+AC:2013 | TEST SUPERATO - NESSUN DIFETTO  
 Resistenza a fatica sedile e schienale EN 1728:2012+AC:2013 | TEST SUPERATO - NESSUN DIFETTO  
 Resistenza a corrosione redance acciaio aisi 304 NSS UNI EN ISO 9227:2017 | TEST SUPERATO - NESSUN DIFETTO  
 General security requirements EN 581-1:2017 | TEST PASSED - NO DEFECTS  
 Static load on seat and backrest EN 1728:2012+AC:2013 | TEST PASSED - NO DEFECTS  
 Backrest and seat fatigue resistance EN 1728:2012+AC:2013 | TEST PASSED - NO DEFECT  
 Steel redance corrosion resistance NSS UNI EN ISO 9227:2017 | TEST PASSED - NO DEFECT

**schema di montaggio assembly scheme** I1421

**telo copertura cover** 9471C

**STRUTTURA STRUCTURE**  
Grigio Sata 50% Kopy

**INTRECCIO WEAVING**  
Cardino PERLA Rigo

**BRONZE METAL**  
Metallic Accione

**GRIGIO**  
Grey

**CORDINO VARTEX**  
Rigo BRONZO

**CORDINO GREY**  
BROWN

**2 COLLI / PIECES**

**[Cuscini compresi -Cushions included]**

---

### 1422 Altalena sospesa Swing nest

Set corde [2 x 4 metri] con redance incluso. (vedi schema montaggio) Ferramenta di fissaggio parte alta non fornita.  
Hanging rope [2 x 4 meters] with thimble included. (see assembly scheme) Anchoring system not included.

Altalena sospesa con corde, cuscino seduta e 2 cuscini schienale inclusi  
Swing nest with ropes, seat and 2 back cushions included  
2 pz - art. 2734 (55x75)

**2 COLLI / PIECES**

Pz	L	P	H
1	154	78	84
	60 5/8	30 3/4	33 1/8
m³ 1,009 - Kg 34,4 tot.			
Kg 28,4 net			
20,0 + 8,4 cusc.			

**TEST ART.** 1422  
 Resistenza a corrosione redance acciaio aisi 304 NSS UNI EN ISO 9227:2017 | TEST SUPERATO - NESSUN DIFETTO  
 Steel redance corrosion resistance NSS UNI EN ISO 9227:2017 | TEST PASSED - NO DEFECT

**schema di montaggio assembly scheme** I1422

**STRUTTURA STRUCTURE**  
Grigio Sata 50% Kopy

**INTRECCIO WEAVING**  
Cardino PERLA Rigo

**BRONZE METAL**  
Metallic Accione

**GRIGIO**  
Grey

**CORDINO VARTEX**  
Rigo BRONZO

**CORDINO GREY**  
BROWN

**2 COLLI / PIECES**

### STRUCTURAL COMPONENTS

NEST WITH POWDER COATED ALUMINIUM FRAME AND SYNTHETIC FIBER WEAVING. FEET IN POLYPROPYLENE.  
**SEAT:** QUICK DRY POLYURETHANE PADDING IN SEVERAL DENSITIES + RESIN POLYESTER FIBER, WITH OUTSIDE TOP MESH IN POLYESTER AND OUTSIDE BOTTOM MESH IN POLYPROPYLENE. REMOVABLE CUSHION COVER.  
**BACK CUSHION:** 100% SPIRAL SILICON POLYESTER FIBER PADDING WITH OUTSIDE MESH IN POLYPROPYLENE. REMOVABLE CUSHION COVER.

### CHARACTERISTICS OF THE MATERIALS

CHARACTERISTICS OF THE MATERIALS AND FABRICS ARE DESCRIBED IN THE WEBSITE [www.varaschin.it](http://www.varaschin.it) FOLDER "MATERIALS" AND YOU CAN DOWNLOAD FROM FOLDER "DOWNLOAND-MATERIALS".

### INSTRUCTIONS FOR USING THE PRODUCT PROPERLY AND SAFELY

VARASCHIN IS NOT LIABLE FOR DAMAGE CAUSED BY IMPROPER USE. THE SAME APPLIES TO DAMAGE DERIVING FROM USE IN EXTREME WEATHER CONDITIONS OR LACK OF CARE. TIPS FOR EXTENDING LONGEVITY OF COMPONENTS: DURING THE WINTER STORE IN A DRY AND CLOSED PLACE TO AVOID CONDENSATION .  
 DO NOT STEP ON WITH FEET. DO NOT SWING BACK AND FORTH ON THE LEGS. DO NOT SIT ON THE BACK OR ON ARMS. DO NOT USE AS A LADDER. BUTTONS AND THE ZIPPERS OF CLOTHING MAY CAUSE DAMAGE TO THE MATERIALS. IF NECESSARY, PLEASE CONTACT VARASCHIN SPA.

### GENERAL INSTRUCTIONS FOR MAINTENANCE AND CLEANING

FOR DAILY CLEANING USE A DRY COTTON CLOTH. FOR MORE THOROUGH CLEANING USE ONLY A NEUTRAL PRODUCT DILUTED IN WARM WATER. NEVER USE ALCOHOL, AMMONIUM, THINNERS OR ABRASIVE PRODUCTS. IN MARINE ENVIRONMENTS ARTICLE SHOULD BE WEEKLY WHASED WITH FRESH WATER.  
 FOR CLEANING AND TAKING CARE OF ALL MATERIALS AND FABRICS, SEE THE FOLDER "DOWNLOAD-MAINTENANCE" FROM OUR WEBSITE [www.varaschin.it](http://www.varaschin.it) OR ASK FOR IT VIA E-MAIL AT [customer@varaschin.it](mailto:customer@varaschin.it)

### GENERAL INFORMATION

N.B.: VARASCHIN SPA GUARANTEES THAT THE PRODUCT IS MADE OF QUALITY MATERIALS, USING THE BEST TECHNOLOGIES IN THE TRADE. THE COMPANY DECLINES ALL AND ANY LIABILITY FOR DAMAGE TO PERSONS AND/OR THINGS DUE TO IMPROPER USE OF THE PRODUCT. IF IN DOUBT PLEASE CONTACT THE MANUFACTURER.

### DISPOSAL

PLEASE DO NOT JUST THROW OUT THE PIECE OF FURNITURE OR ANY PART OF IT. AT THE END OF ITS USE, PROVIDE FOR THE RECYCLING OR DISPOSAL OF THE COMPONENTS IN THE APPROPRIATE AREAS.

### FIRE-FIGHTING MEASURES

ALTHOUGH THE PRODUCT IS NOT INFLAMMABLE, IT IS COMBUSTIBLE. THERE ARE NO RESTRICTIONS ON THE TYPES OF EXTINGUISHERS: POWDER, WATER, FOAM OR CO2. USE SUITABLE PROTECTION TO AVOID BREATHING IN FUMES. DURING DISPOSAL TAKE SPECIAL CARE TO PROTECT THE RESPIRATORY SYSTEM.

### PRODUCT WARRANTY

REFER TO ARTICLE 3 "PRODUCT WARRANTY" PUBLISHED ON SALES CONDITIONS, DOCUMENTS OF SALE, WEBSITE [www.varaschin.it](http://www.varaschin.it)

**TECHNICAL INFO SHEET:** This product information sheet complies with Italian Legislative Decree No. 206 of 6 September 2005, "Consumer Code".

The information given above refers to the latest data published in the price list. The company reserves the right to alter the models without notice.

COMPANY WITH SYSTEM MANAGEMENT QUALITY CERTIFIED **UNI EN ISO 9001: 2015**





## TIBIDABO

Design CALVI BRAMBILLA

Collection in powder coated aluminum frame and hand woven man-made fibre. Cushions in "Dryfeel" outdoor foam.

		<p><b>STRUTTURA</b> STRUCTURE</p>	<p><b>INTRACCIO</b> WEAVING</p>	<table border="1"> <thead> <tr> <th>Pz</th> <th>L</th> <th>P</th> <th>H</th> </tr> </thead> <tbody> <tr> <td rowspan="2">1</td> <td>57,5</td> <td>61</td> <td>115</td> </tr> <tr> <td>22<sup>5</sup>/<sub>8</sub></td> <td>24</td> <td>45<sup>1</sup>/<sub>4</sub></td> </tr> </tbody> </table> <p>m<sup>3</sup> 0,403 - Kg 10,3 tot. Kg 6,75 net 6,5 + 0,25 cusc.</p>	Pz	L	P	H	1	57,5	61	115	22 <sup>5</sup> / <sub>8</sub>	24	45 <sup>1</sup> / <sub>4</sub>
Pz	L	P	H												
1	57,5	61	115												
	22 <sup>5</sup> / <sub>8</sub>	24	45 <sup>1</sup> / <sub>4</sub>												
<p><b>1423</b> sgabello alto High bar stool</p> <p><b>cuscino seduta incluso</b> seat cushion included</p>	<p><b>1424</b> sgabello basso Low bar stool</p> <p><b>cuscino seduta incluso</b> seat cushion included</p>			<p><b>Cuscino compresso</b> Cushion included</p>											
<p><b>MODELLO REGISTRATO</b> REGISTERED MODEL</p>		<p>istruzioni d'uso using instruction</p> <p><b>IGSED</b></p>	<p>telo copertura cover</p> <p><b>9417C</b></p>												

### STRUCTURAL COMPONENTS

DAYBED WITH POWDER COATED ALUMINIUM FRAME AND SYNTHETIC FIBER WEAVING. FEET IN POLYPROPYLENE.

**SEAT:** QUICK DRY POLYURETHANE PADDING IN SEVERAL DENSITIES + RESIN POLYESTER FIBER, WITH OUTSIDE TOP MESH IN POLYESTER AND OUTSIDE BOTTOM MESH IN POLYPROPYLENE. REMOVABLE CUSHION COVER.

### CHARACTERISTICS OF THE MATERIALS

CHARACTERISTICS OF THE MATERIALS AND FABRICS ARE DESCRIBED IN THE WEBSITE [www.varaschin.it](http://www.varaschin.it) FOLDER "MATERIALS" AND YOU CAN DOWNLOAD FROM FOLDER "DOWLOAD-MATERIALS".

### INSTRUCTIONS FOR USING THE PRODUCT PROPERLY AND SAFELY

VARASCHIN IS NOT LIABLE FOR DAMAGE CAUSED BY IMPROPER USE. THE SAME APPLIES TO DAMAGE DERIVING FROM USE IN EXTREME WEATHER CONDITIONS OR LACK OF CARE. TIPS FOR EXTENDING LONGEVITY OF COMPONENTS: DURING THE WINTER STORE IN A DRY AND CLOSED PLACE TO AVOID CONDENSATION . DO NOT STEP ON WITH FEET. DO NOT SWING BACK AND FORTH ON THE LEGS. DO NOT SIT ON THE BACK OR ON ARMS. DO NOT USE AS A LADDER. BUTTONS AND THE ZIPPERS OF CLOTHING MAY CAUSE DAMAGE TO THE MATERIALS. IF NECESSARY, PLEASE CONTACT VARASCHIN SPA.

### GENERAL INSTRUCTIONS FOR MAINTENANCE AND CLEANING

FOR DAILY CLEANING USE A DRY COTTON CLOTH. FOR MORE THOROUGH CLEANING USE ONLY A NEUTRAL PRODUCT DILUTED IN WARM WATER. NEVER USE ALCOHOL, AMMONIUM, THINNERS OR ABRASIVE PRODUCTS. IN MARINE ENVIRONMENTS ARTICLE SHOULD BE WEEKLY WHASED WITH FRESH WATER. FOR CLEANING AND TAKING CARE OF ALL MATERIALS AND FABRICS, SEE THE FOLDER "DOWNLOAD-MAINTENANCE" FROM OUR WEBSITE [www.varaschin.it](http://www.varaschin.it) OR ASK FOR IT VIA E-MAIL AT [customer-care@varaschin.it](mailto:customer-care@varaschin.it)

### GENERAL INFORMATION

N.B.: VARASCHIN SPA GUARANTEES THAT THE PRODUCT IS MADE OF QUALITY MATERIALS, USING THE BEST TECHNOLOGIES IN THE TRADE. THE COMPANY DECLINES ALL AND ANY LIABILITY FOR DAMAGE TO PERSONS AND/OR THINGS DUE TO IMPROPER USE OF THE PRODUCT. IF IN DOUBT PLEASE CONTACT THE MANUFACTURER.

### DISPOSAL

PLEASE DO NOT JUST THROW OUT THE PIECE OF FURNITURE OR ANY PART OF IT. AT THE END OF ITS USE, PROVIDE FOR THE RECYCLING OR DISPOSAL OF THE COMPONENTS IN THE APPROPRIATE AREAS.

### FIRE-FIGHTING MEASURES

ALTHOUGH THE PRODUCT IS NOT INFLAMMABLE, IT IS COMBUSTIBLE. THERE ARE NO RESTRICTIONS ON THE TYPES OF EXTINGUISHERS: POWDER, WATER, FOAM OR CO2. USE SUITABLE PROTECTION TO AVOID BREATHING IN FUMES. DURING DISPOSAL TAKE SPECIAL CARE TO PROTECT THE RESPIRATORY SYSTEM.

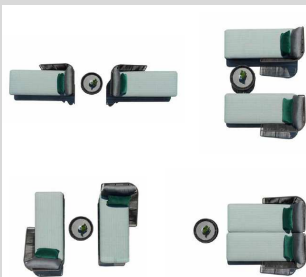
### PRODUCT WARRANTY

REFER TO ARTICLE 3 "PRODUCT WARRANTY" PUBLISHED ON SALES CONDITIONS, DOCUMENTS OF SALE, WEBSITE [www.varaschin.it](http://www.varaschin.it)

**TECHNICAL INFO SHEET:** This product information sheet complies with Italian Legislative Decree No. 206 of 6 September 2005, "Consumer Code".

The information given above refers to the latest data published in the price list. The company reserves the right to alter the models without notice.

**COMPANY WITH SYSTEM MANAGEMENT QUALITY CERTIFIED UNI EN ISO 9001: 2015**



## TIBIDABO

Design CALVI BRAMBILLA

Collection in powder coated aluminum frame and hand woven man-made fibre. Cushions in "Dryfeel" outdoor foam.

STRUTTURA STRUCTURE		INTRECCIO WEAVING	
	Grigio Seta Silk Grey		Cordino PERLA Rope
	Bronzo Metal Metal Bronze		Cordino VARWTEX Rope BRONZO
	Grigio Grey		Cordino GREY Rope BROWN
Istruzioni d'uso using instruction		IGSED	
telo copertura cover		9460C	
MUNITO DI 2 PIEDINI CON RUOTE 2 FEET WITH WHEELS			

Pz	L	P	H
1	202	92	69
	79 1/2	36 1/4	27 1/8
m <sup>3</sup> 1,282 - Kg 42,0 tot.			
Kg 34,0 net			
22,0 + 12,0 cusc.			
<b>Cuscini compresi</b> Cushions included			

**1430** Dormeuse destra base  
Base Right Dormeuse

**1431** Dormeuse sinistra base  
Base left Dormeuse

**cuscino seduta e 1 cuscino schienale incluso**  
seat and 1 back cushion included  
1 pz - 75x45

Pz	L	P	H
1	202	92	69
	79 1/2	36 1/4	27 1/8
m <sup>3</sup> 1,282 - Kg 44,7 tot.			
Kg 36,7 net			
22,0 + 14,7 cusc.			
<b>Cuscini compresi</b> Cushions included			

**1430A** Dormeuse destra CONFORT  
CONFORT Right Dormeuse

**1431A** Dormeuse sinistra CONFORT  
CONFORT left Dormeuse

**cuscino seduta e 2 cuscini schienale inclusi**  
seat and 2 back cushions included  
1 pz - 75x45 | 1 pz - art. 2717 (60x35)

### STRUCTURAL COMPONENTS

DORMEUSE WITH POWDER COATED ALUMINIUM FRAME AND SYNTHETIC FIBER WEAVING. FEET IN POLYPROPYLENE.

**SEAT:** QUICK DRY POLYURETHANE PADDING IN SEVERAL DENSITIES + RESIN POLYESTER FIBER, WITH OUTSIDE TOP MESH IN POLYESTER AND OUTSIDE BOTTOM MESH IN POLYPROPYLENE. REMOVABLE CUSHION COVER.

**BACK CUSHION:** 100% SPIRAL SILICON POLYESTER FIBER PADDING WITH OUTSIDE MESH IN POLYPROPYLENE. REMOVABLE CUSHION COVER.

### CHARACTERISTICS OF THE MATERIALS

CHARACTERISTICS OF THE MATERIALS AND FABRICS ARE DESCRIBED IN THE WEBSITE [www.varaschin.it](http://www.varaschin.it) FOLDER "MATERIALS" AND YOU CAN DOWNLOAD FROM FOLDER "DOWLOAD-MATERIALS".

### INSTRUCTIONS FOR USING THE PRODUCT PROPERLY AND SAFELY

VARASCHIN IS NOT LIABLE FOR DAMAGE CAUSED BY IMPROPER USE. THE SAME APPLIES TO DAMAGE DERIVING FROM USE IN EXTREME WEATHER CONDITIONS OR LACK OF CARE. TIPS FOR EXTENDING LONGEVITY OF COMPONENTS: DURING THE WINTER STORE IN A DRY AND CLOSED PLACE TO AVOID CONDENSATION .

DO NOT STEP ON WITH FEET. DO NOT SWING BACK AND FORTH ON THE LEGS. DO NOT SIT ON THE BACK OR ON ARMS. DO NOT USE AS A LADDER. BUTTONS AND THE ZIPPERS OF CLOTHING MAY CAUSE DAMAGE TO THE MATERIALS. IF NECESSARY, PLEASE CONTACT VARASCHIN SPA.

### GENERAL INSTRUCTIONS FOR MAINTENANCE AND CLEANING

FOR DAILY CLEANING USE A DRY COTTON CLOTH. FOR MORE THOROUGH CLEANING USE ONLY A NEUTRAL PRODUCT DILUTED IN WARM WATER. NEVER USE ALCOHOL, AMMONIUM, THINNERS OR ABRASIVE PRODUCTS. IN MARINE ENVIRONMENTS ARTICLE SHOULD BE WEEKLY WHASED WITH FRESH WATER.

FOR CLEANING AND TAKING CARE OF ALL MATERIALS AND FABRICS, SEE THE FOLDER "DOWNLOAD-MAINTENANCE" FROM OUR WEBSITE [www.varaschin.it](http://www.varaschin.it) OR ASK FOR IT VIA E-MAIL AT [customercare@varaschin.it](mailto:customercare@varaschin.it)

### GENERAL INFORMATION

N.B.: VARASCHIN SPA GUARANTEES THAT THE PRODUCT IS MADE OF QUALITY MATERIALS, USING THE BEST TECHNOLOGIES IN THE TRADE. THE COMPANY DECLINES ALL AND ANY LIABILITY FOR DAMAGE TO PERSONS AND/OR THINGS DUE TO IMPROPER USE OF THE PRODUCT. IF IN DOUBT PLEASE CONTACT THE MANUFACTURER.

### DISPOSAL

PLEASE DO NOT JUST THROW OUT THE PIECE OF FURNITURE OR ANY PART OF IT. AT THE END OF ITS USE, PROVIDE FOR THE RECYCLING OR DISPOSAL OF THE COMPONENTS IN THE APPROPRIATE AREAS.

### FIRE-FIGHTING MEASURES

ALTHOUGH THE PRODUCT IS NOT INFLAMMABLE, IT IS COMBUSTIBLE. THERE ARE NO RESTRICTIONS ON THE TYPES OF EXTINGUISHERS: POWDER, WATER, FOAM OR CO2. USE SUITABLE PROTECTION TO AVOID BREATHING IN FUMES. DURING DISPOSAL TAKE SPECIAL CARE TO PROTECT THE RESPIRATORY SYSTEM.

### PRODUCT WARRANTY

REFER TO ARTICLE 3 "PRODUCT WARRANTY" PUBLISHED ON SALES CONDITIONS, DOCUMENTS OF SALE, WEBSITE [www.varaschin.it](http://www.varaschin.it)

**TECHNICAL INFO SHEET:** This product information sheet complies with Italian Legislative Decree No. 206 of 6 September 2005, "Consumer Code".

The information given above refers to the latest data published in the price list. The company reserves the right to alter the models without notice.








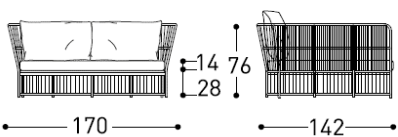

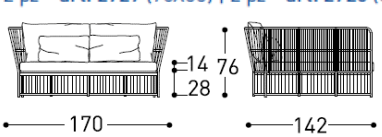
COMPANY WITH SYSTEM MANAGEMENT QUALITY CERTIFIED **UNI EN ISO 9001: 2015**



## TIBIDABO

Design CALVI BRAMBILLA

Collection in powder coated aluminum frame and hand woven man-made fibre. Cushions in "Dryfeel" outdoor foam.

<b>STRUTTURA</b> STRUCTURE  Grigio Seta Silk Grey  Bronzo Metal Metal Bronze  Grigio Grey	<b>INTRACCIO</b> WEAVING  Cordino PERLA Rope  Cordino VAR#TEX BRONZO  Cordino GREY BROWN	 <b>1440</b> Daybed compact base Base Compact Daybed <b>cuscino seduta e 2 cuscini schienale inclusi</b> seat and 2 back cushions included 2 pz - art. 2729 (70X55) 	<table border="1"> <thead> <tr> <th>Pz</th> <th>L</th> <th>P</th> <th>H</th> </tr> </thead> <tbody> <tr> <td>1</td> <td>172</td> <td>144</td> <td>80</td> </tr> <tr> <td></td> <td>67 <sup>3</sup>/<sub>4</sub></td> <td>56 <sup>3</sup>/<sub>4</sub></td> <td>31 <sup>1</sup>/<sub>2</sub></td> </tr> </tbody> </table> <p>m<sup>3</sup> 1,981 - Kg 56,4 tot. Kg 45,9 net 28,5 + 17,4 cusc.</p> <b>Cuscini compresi</b> Cushions included	Pz	L	P	H	1	172	144	80		67 <sup>3</sup> / <sub>4</sub>	56 <sup>3</sup> / <sub>4</sub>	31 <sup>1</sup> / <sub>2</sub>	 <b>1440A</b> Daybed compact CONFORT CONFORT Compact Daybed <b>cuscino seduta e 4 cuscini schienale inclusi</b> seat and 4 back cushions included 2 pz - art. 2729 (70X55)   2 pz - art. 2726 (60X40) 	<table border="1"> <thead> <tr> <th>Pz</th> <th>L</th> <th>P</th> <th>H</th> </tr> </thead> <tbody> <tr> <td>1</td> <td>172</td> <td>144</td> <td>80</td> </tr> <tr> <td></td> <td>67 <sup>3</sup>/<sub>4</sub></td> <td>56 <sup>3</sup>/<sub>4</sub></td> <td>31 <sup>1</sup>/<sub>2</sub></td> </tr> </tbody> </table> <p>m<sup>3</sup> 1,981 - Kg 57,8 tot. Kg 47,3 net 28,5 + 18,8 cusc.</p> <b>Cuscini compresi</b> Cushions included	Pz	L	P	H	1	172	144	80		67 <sup>3</sup> / <sub>4</sub>	56 <sup>3</sup> / <sub>4</sub>	31 <sup>1</sup> / <sub>2</sub>
Pz	L	P	H																										
1	172	144	80																										
	67 <sup>3</sup> / <sub>4</sub>	56 <sup>3</sup> / <sub>4</sub>	31 <sup>1</sup> / <sub>2</sub>																										
Pz	L	P	H																										
1	172	144	80																										
	67 <sup>3</sup> / <sub>4</sub>	56 <sup>3</sup> / <sub>4</sub>	31 <sup>1</sup> / <sub>2</sub>																										

istruzioni d'uso  
using instruction

telo copertura  
cover

IGSED

9469C

MODELLO REGISTRATO  
REGISTERED MODEL

### STRUCTURAL COMPONENTS

COMPACT DAYBED WITH POWDER COATED ALUMINIUM FRAME AND SYNTHETIC FIBER WEAVING. FEET IN POLYPROPYLENE.

**SEAT:** QUICK DRY POLYURETHANE PADDING IN SEVERAL DENSITIES + RESIN POLYESTER FIBER, WITH OUTSIDE TOP MESH IN POLYESTER AND OUTSIDE BOTTOM MESH IN POLYPROPYLENE. REMOVABLE CUSHION COVER.

**BACK CUSHION:** 100% SPIRAL SILICON POLYESTER FIBER PADDING WITH OUTSIDE MESH IN POLYPROPYLENE. REMOVABLE CUSHION COVER.

### CHARACTERISTICS OF THE MATERIALS

CHARACTERISTICS OF THE MATERIALS AND FABRICS ARE DESCRIBED IN THE WEBSITE [www.varaschin.it](http://www.varaschin.it) FOLDER "MATERIALS" AND YOU CAN DOWNLOAD FROM FOLDER "DOWLOAD-MATERIALS".

### INSTRUCTIONS FOR USING THE PRODUCT PROPERLY AND SAFELY

VARASCHIN IS NOT LIABLE FOR DAMAGE CAUSED BY IMPROPER USE. THE SAME APPLIES TO DAMAGE DERIVING FROM USE IN EXTREME WEATHER CONDITIONS OR LACK OF CARE. TIPS FOR EXTENDING LONGEVITY OF COMPONENTS: DURING THE WINTER STORE IN A DRY AND CLOSED PLACE TO AVOID CONDENSATION .

DO NOT STEP ON WITH FEET. DO NOT SWING BACK AND FORTH ON THE LEGS. DO NOT SIT ON THE BACK OR ON ARMS. DO NOT USE AS A LADDER. BUTTONS AND THE ZIPPERS OF CLOTHING MAY CAUSE DAMAGE TO THE MATERIALS. IF NECESSARY, PLEASE CONTACT VARASCHIN SPA.

### GENERAL INSTRUCTIONS FOR MAINTENANCE AND CLEANING

FOR DAILY CLEANING USE A DRY COTTON CLOTH. FOR MORE THOROUGH CLEANING USE ONLY A NEUTRAL PRODUCT DILUTED IN WARM WATER. NEVER USE ALCOHOL, AMMONIUM, THINNERS OR ABRASIVE PRODUCTS. IN MARINE ENVIRONMENTS ARTICLE SHOULD BE WEEKLY WHASED WITH FRESH WATER.

FOR CLEANING AND TAKING CARE OF ALL MATERIALS AND FABRICS, SEE THE FOLDER "DOWNLOAD-MAINTENANCE" FROM OUR WEBSITE [www.varaschin.it](http://www.varaschin.it) OR ASK FOR IT VIA E-MAIL AT [customercare@varaschin.it](mailto:customercare@varaschin.it)

### GENERAL INFORMATION

N.B.: VARASCHIN SPA GUARANTEES THAT THE PRODUCT IS MADE OF QUALITY MATERIALS, USING THE BEST TECHNOLOGIES IN THE TRADE. THE COMPANY DECLINES ALL AND ANY LIABILITY FOR DAMAGE TO PERSONS AND/OR THINGS DUE TO IMPROPER USE OF THE PRODUCT. IF IN DOUBT PLEASE CONTACT THE MANUFACTURER.

### DISPOSAL

PLEASE DO NOT JUST THROW OUT THE PIECE OF FURNITURE OR ANY PART OF IT. AT THE END OF ITS USE, PROVIDE FOR THE RECYCLING OR DISPOSAL OF THE COMPONENTS IN THE APPROPRIATE AREAS.

### FIRE-FIGHTING MEASURES

ALTHOUGH THE PRODUCT IS NOT INFLAMMABLE, IT IS COMBUSTIBLE. THERE ARE NO RESTRICTIONS ON THE TYPES OF EXTINGUISHERS: POWDER, WATER, FOAM OR CO2. USE SUITABLE PROTECTION TO AVOID BREATHING IN FUMES. DURING DISPOSAL TAKE SPECIAL CARE TO PROTECT THE RESPIRATORY SYSTEM.

### PRODUCT WARRANTY

REFER TO ARTICLE 3 "PRODUCT WARRANTY" PUBLISHED ON SALES CONDITIONS, DOCUMENTS OF SALE, WEBSITE [www.varaschin.it](http://www.varaschin.it)

**TECHNICAL INFO SHEET:** This product information sheet complies with Italian Legislative Decree No. 206 of 6 September 2005, "Consumer Code".

The information given above refers to the latest data published in the price list. The company reserves the right to alter the models without notice.

COMPANY WITH SYSTEM MANAGEMENT QUALITY CERTIFIED **UNI EN ISO 9001: 2015**






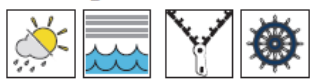

## TIBIDABO

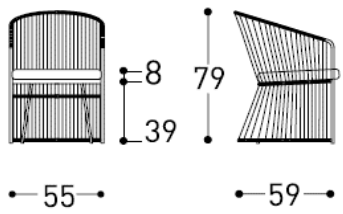
Design CALVI BRAMBILLA

Collection in powder coated aluminum frame and hand woven man-made fibre. Cushions in "Dryfeel" outdoor foam.




**2982**  
**Poltroncina**  
Dining armchair

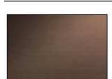


**cuscino seduta incluso**  
**seat cushion included**


**STRUTTURA**  
STRUCTURE



Grigio Seta  
Silk Grey




Bronzo Metal  
Metal Bronze




Grigio  
Grey


**INTRECCIO**  
WEAVING



Cordino PERLA  
Rope



Cordino VAR#TEX  
Rope BRONZO



Cordino GREY  
Rope BROWN

Pz	L	P	H
1	57	62	84
	22 1/2	24 3/8	33 1/8

m<sup>3</sup> 0,297 - Kg 11,0 tot.  
Kg 8,6 net  
7,6 + 1,0 cusc.

**Cuscino compresso**  
Cushion included

istruzioni d'uso using instruction	IGSED
telo copertura cover	9467C

### STRUCTURAL COMPONENTS

DINING ARMCHAIR WITH POWDER COATED ALUMINIUM FRAME AND SYNTHETIC FIBER WEAVING. FEET IN POLYPROPYLENE.

**SEAT:** QUICK DRY POLYURETHANE PADDING IN SEVERAL DENSITIES + RESIN POLYESTER FIBER, WITH OUTSIDE TOP MESH IN POLYESTER AND OUTSIDE BOTTOM MESH IN POLYPROPYLENE. REMOVABLE CUSHION COVER.

### CHARACTERISTICS OF THE MATERIALS

CHARACTERISTICS OF THE MATERIALS AND FABRICS ARE DESCRIBED IN THE WEBSITE [www.varaschin.it](http://www.varaschin.it) FOLDER "MATERIALS" AND YOU CAN DOWNLOAD FROM FOLDER "DOWLOAD-MATERIALS".

### INSTRUCTIONS FOR USING THE PRODUCT PROPERLY AND SAFELY

VARASCHIN IS NOT LIABLE FOR DAMAGE CAUSED BY IMPROPER USE. THE SAME APPLIES TO DAMAGE DERIVING FROM USE IN EXTREME WEATHER CONDITIONS OR LACK OF CARE. TIPS FOR EXTENDING LONGEVITY OF COMPONENTS: DURING THE WINTER STORE IN A DRY AND CLOSED PLACE TO AVOID CONDENSATION .

DO NOT STEP ON WITH FEET. DO NOT SWING BACK AND FORTH ON THE LEGS. DO NOT SIT ON THE BACK OR ON ARMS. DO NOT USE AS A LADDER. BUTTONS AND THE ZIPPERS OF CLOTHING MAY CAUSE DAMAGE TO THE MATERIALS. IF NECESSARY, PLEASE CONTACT VARASCHIN SPA.

### GENERAL INSTRUCTIONS FOR MAINTENANCE AND CLEANING

FOR DAILY CLEANING USE A DRY COTTON CLOTH. FOR MORE THOROUGH CLEANING USE ONLY A NEUTRAL PRODUCT DILUTED IN WARM WATER. NEVER USE ALCOHOL, AMMONIUM, THINNERS OR ABRASIVE PRODUCTS. IN MARINE ENVIRONMENTS ARTICLE SHOULD BE WEEKLY WHASED WITH FRESH WATER.

FOR CLEANING AND TAKING CARE OF ALL MATERIALS AND FABRICS, SEE THE FOLDER "DOWNLOAD-MAINTENANCE" FROM OUR WEBSITE [www.varaschin.it](http://www.varaschin.it) OR ASK FOR IT VIA E-MAIL AT [customercare@varaschin.it](mailto:customercare@varaschin.it)

### GENERAL INFORMATION

N.B.: VARASCHIN SPA GUARANTEES THAT THE PRODUCT IS MADE OF QUALITY MATERIALS, USING THE BEST TECHNOLOGIES IN THE TRADE. THE COMPANY DECLINES ALL AND ANY LIABILITY FOR DAMAGE TO PERSONS AND/OR THINGS DUE TO IMPROPER USE OF THE PRODUCT. IF IN DOUBT PLEASE CONTACT THE MANUFACTURER.

### DISPOSAL

PLEASE DO NOT JUST THROW OUT THE PIECE OF FURNITURE OR ANY PART OF IT. AT THE END OF ITS USE, PROVIDE FOR THE RECYCLING OR DISPOSAL OF THE COMPONENTS IN THE APPROPRIATE AREAS.

### FIRE-FIGHTING MEASURES

ALTHOUGH THE PRODUCT IS NOT INFLAMMABLE, IT IS COMBUSTIBLE. THERE ARE NO RESTRICTIONS ON THE TYPES OF EXTINGUISHERS: POWDER, WATER, FOAM OR CO2. USE SUITABLE PROTECTION TO AVOID BREATHING IN FUMES. DURING DISPOSAL TAKE SPECIAL CARE TO PROTECT THE RESPIRATORY SYSTEM.

### PRODUCT WARRANTY

REFER TO ARTICLE 3 "PRODUCT WARRANTY" PUBLISHED ON SALES CONDITIONS, DOCUMENTS OF SALE, WEBSITE [www.varaschin.it](http://www.varaschin.it)

**TECHNICAL INFO SHEET:** This product information sheet complies with Italian Legislative Decree No. 206 of 6 September 2005, "Consumer Code".

The information given above refers to the latest data published in the price list. The company reserves the right to alter the models without notice.

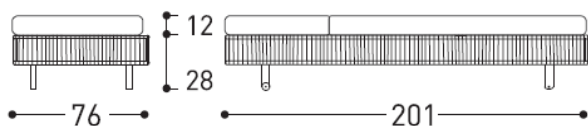
COMPANY WITH SYSTEM MANAGEMENT QUALITY CERTIFIED **UNI EN ISO 9001: 2015**



## TIBIDABO

Design CALVI BRAMBILLA

Collection in powder coated aluminum frame and hand woven man-made fibre. Cushions in "Dryfeel" outdoor foam.



### 2985

**Letino  
Sunlounger**



**cuscino seduta incluso  
seat cushion included**



**MODELLO REGISTRATO  
REGISTERED MODEL**

**MUNITO DI 2 PIEDINI CON RUOTE  
2 FEET WITH WHEELS**

#### STRUTTURA STRUCTURE



**Grigio Seta**  
Silk Grey



**Bronzo Metal**  
Metal Bronze



**Grigio**  
Grey

#### INTRECCIO WEAVING



**Cordino PERLA**  
Rope



**Cordino VAR#TEX  
BRONZO**  
Rope



**Cordino GREY  
BROWN**  
Rope

Pz	L	P	H
<b>1</b>	81	205	34
	31 <sup>7</sup> / <sub>8</sub>	80 <sup>3</sup> / <sub>4</sub>	13 <sup>3</sup> / <sub>8</sub>
<b>m<sup>3</sup></b>	0,565 - <b>Kg</b> 33,0 tot.		
<b>Kg</b>	27,0 net 21,0 + 6,0 cusc.		

istruzioni d'uso using instruction	<b>IGSED</b>
telo copertura cover	<b>9401C</b>

#### STRUCTURAL COMPONENTS

SUNLOUNGER WITH POWDER COATED ALUMINIUM FRAME AND SYNTHETIC FIBER WEAVING. FEET IN POLYPROPYLENE. QUICK DRY POLYURETHANE PADDING IN SEVERAL DENSITIES + HEATBOUND POLYESTER FIBER, WITH OUTSIDE TOP MESH IN POLYESTER AND OUTSIDE BOTTOM MESH IN POLYPROPYLENE. REMOVABLE CUSHION COVER.

#### CHARACTERISTICS OF THE MATERIALS

CHARACTERISTICS OF THE MATERIALS AND FABRICS ARE DESCRIBED IN THE WEBSITE [www.varaschin.it](http://www.varaschin.it) FOLDER "MATERIALS" AND YOU CAN DOWNLOAD FROM FOLDER "DOWLOAD-MATERIALS".

#### INSTRUCTIONS FOR USING THE PRODUCT PROPERLY AND SAFELY

VARASCHIN IS NOT LIABLE FOR DAMAGE CAUSED BY IMPROPER USE. THE SAME APPLIES TO DAMAGE DERIVING FROM USE IN EXTREME WEATHER CONDITIONS OR LACK OF CARE. TIPS FOR EXTENDING LONGEVITY OF COMPONENTS: DURING THE WINTER STORE IN A DRY AND CLOSED PLACE TO AVOID CONDENSATION . DO NOT STEP ON WITH FEET. DO NOT SWING BACK AND FORTH ON THE LEGS. DO NOT SIT ON THE BACK OR ON ARMS. DO NOT USE AS A LADDER. BUTTONS AND THE ZIPPERS OF CLOTHING MAY CAUSE DAMAGE TO THE MATERIALS. IF NECESSARY, PLEASE CONTACT VARASCHIN SPA.

#### GENERAL INSTRUCTIONS FOR MAINTENANCE AND CLEANING

FOR DAILY CLEANING USE A DRY COTTON CLOTH. FOR MORE THOROUGH CLEANING USE ONLY A NEUTRAL PRODUCT DILUTED IN WARM WATER. NEVER USE ALCOHOL, AMMONIUM, THINNERS OR ABRASIVE PRODUCTS. IN MARINE ENVIRONMENTS ARTICLE SHOULD BE WEEKLY WHASED WITH FRESH WATER. FOR CLEANING AND TAKING CARE OF ALL MATERIALS AND FABRICS, SEE THE FOLDER "DOWNLOAD-MAINTENANCE" FROM OUR WEBSITE [www.varaschin.it](http://www.varaschin.it) OR ASK FOR IT VIA E-MAIL AT [customercare@varaschin.it](mailto:customercare@varaschin.it)

#### GENERAL INFORMATION

N.B.: VARASCHIN SPA GUARANTEES THAT THE PRODUCT IS MADE OF QUALITY MATERIALS, USING THE BEST TECHNOLOGIES IN THE TRADE. THE COMPANY DECLINES ALL AND ANY LIABILITY FOR DAMAGE TO PERSONS AND/OR THINGS DUE TO IMPROPER USE OF THE PRODUCT. IF IN DOUBT PLEASE CONTACT THE MANUFACTURER.

#### DISPOSAL

PLEASE DO NOT JUST THROW OUT THE PIECE OF FURNITURE OR ANY PART OF IT. AT THE END OF ITS USE, PROVIDE FOR THE RECYCLING OR DISPOSAL OF THE COMPONENTS IN THE APPROPRIATE AREAS.

#### FIRE-FIGHTING MEASURES

ALTHOUGH THE PRODUCT IS NOT INFLAMMABLE, IT IS COMBUSTIBLE. THERE ARE NO RESTRICTIONS ON THE TYPES OF EXTINGUISHERS: POWDER, WATER, FOAM OR CO2. USE SUITABLE PROTECTION TO AVOID BREATHING IN FUMES. DURING DISPOSAL TAKE SPECIAL CARE TO PROTECT THE RESPIRATORY SYSTEM.

#### PRODUCT WARRANTY

REFER TO ARTICLE 3 "PRODUCT WARRANTY" PUBLISHED ON SALES CONDITIONS, DOCUMENTS OF SALE, WEBSITE [www.varaschin.it](http://www.varaschin.it)

**TECHNICAL INFO SHEET:** This product information sheet complies with Italian Legislative Decree No. 206 of 6 September 2005, "Consumer Code". The information given above refers to the latest data published in the price list. The company reserves the right to alter the models without notice.


**COMPANY WITH SYSTEM MANAGEMENT QUALITY CERTIFIED UNI EN ISO 9001: 2015**



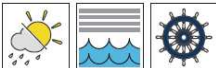
## LOOP

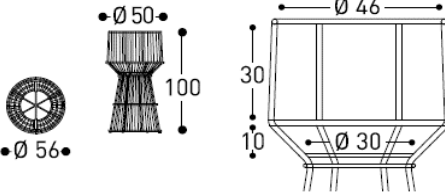
Design NIGEL COATES

Woven synthetic fiber flower pot with varnished aluminium supporting structure.



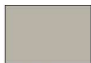





**fioriera**  
Flower pot





4708

**STRUTTURA**  
STRUCTURE

**INTRECCIO**  
WEAVING

Pz	L	P	H
1	59	59	103
	23 1/4	23 1/4	40 1/2

m<sup>2</sup> 0,359 - Kg 12,0 tot.  
Kg 9,5 net

telo copertura cover	9417C
-------------------------	-------

### STRUCTURAL COMPONENTS

FLOWER BOX WITH ALUMINIUM STRUCTURE VARNISHED WITH TIGER POWDER. ROUND PVC WICKER WITH POLYESTER REINFORCEMENT INSIDE. POLYPROPYLENE F CAP SAME COLOUR OF FRAME.

### CHARACTERISTICS OF THE MATERIALS

CHARACTERISTICS OF THE MATERIALS AND FABRICS ARE DESCRIBED IN THE WEBSITE [www.varaschin.it](http://www.varaschin.it) FOLDER "MATERIALS" AND YOU CAN DOWNLOAD FOLDER "DOWLOAD-MATERIALS".

### INSTRUCTIONS FOR USING THE PRODUCT PROPERLY AND SAFELY

VARASCHIN IS NOT LIABLE FOR DAMAGE CAUSED BY IMPROPER USE. THE SAME APPLIES TO DAMAGE DERIVING FROM USE IN EXTREME WEATHER CONDITIONS OR L OF CARE. TIPS FOR EXTENDING LONGEVITY OF COMPONENTS: DURING THE WINTER STORE IN A DRY AND CLOSED PLACE TO AVOID CONDENSATION . DO NOT STEP ON WITH FEET. DO NOT SWING BACK AND FORTH ON THE LEGS. DO NOT SIT. BUTTONS AND THE ZIPPERS OF CLOTHING MAY CAUSE DAMAGE TO MATERIALS. IF NECESSARY, PLEASE CONTACT VARASCHIN SPA.

### GENERAL INSTRUCTIONS FOR MAINTENANCE AND CLEANING

FOR DAILY CLEANING USE A DRY COTTON CLOTH. FOR MORE THOROUGH CLEANING USE ONLY A NEUTRAL PRODUCT DILUTED IN WARM WATER. NEVER USE ALCOI AMMONIUM, THINNERS OR ABRASIVE PRODUCTS. IN MARINE ENVIRONMENTS ARTICLE SHOULD BE WEEKLY WHASED WITH FRESH WATER. FOR CLEANING AND TAKING CARE OF ALL MATERIALS AND FABRICS, SEE THE FOLDER "DOWNLOAD-MAINTENANCE" FROM OUR WEBSITE [www.varaschin.it](http://www.varaschin.it) OR ASK IT VIA E-MAIL AT [customer-care@varaschin.it](mailto:customer-care@varaschin.it)

### GENERAL INFORMATION

N.B.: VARASCHIN SPA GUARANTEES THAT THE PRODUCT IS MADE OF QUALITY MATERIALS, USING THE BEST TECHNOLOGIES IN THE TRADE. THE COMPANY DECLI ALL AND ANY LIABILITY FOR DAMAGE TO PERSONS AND/OR THINGS DUE TO IMPROPER USE OF THE PRODUCT. IF IN DOUBT PLEASE CONTACT THE MANUFACTURER.

### DISPOSAL

PLEASE DO NOT JUST THROW OUT THE PIECE OF FURNITURE OR ANY PART OF IT. AT THE END OF ITS USE, PROVIDE FOR THE RECYCLING OR DISPOSAL OF COMPONENTS IN THE APPROPRIATE AREAS.

### FIRE-FIGHTING MEASURES

ALTHOUGH THE PRODUCT IS NOT INFLAMMABLE, IT IS COMBUSTIBLE. THERE ARE NO RESTRICTIONS ON THE TYPES OF EXTINGUISHERS: POWDER, WATER, FOAM CO2. USE SUITABLE PROTECTION TO AVOID BREATHING IN FUMES. DURING DISPOSAL TAKE SPECIAL CARE TO PROTECT THE RESPIRATORY SYSTEM.

### PRODUCT WARRANTY

REFER TO ARTICLE 3 "PRODUCT WARRANTY" PUBLISHED ON SALES CONDITIONS, DOCUMENTS OF SALE, WEBSITE [www.varaschin.it](http://www.varaschin.it)

**TECHNICAL INFO SHEET:** This product information sheet complies with Italian Legislative Decree No. 206 of 6 September 2005, "Consumer Code

The information given above refers to the latest data published in the price list. The company reserves the right to alter the models without notice.

COMPANY WITH SYSTEM MANAGEMENT QUALITY CERTIFIED **UNI EN ISO 9001: 2015**





## TIBIDABO

Design CALVI BRAMBILLA

Multipurpose basket with powder coated and hand woven aluminium frame. It can become a pouf with a padded seat or a coffee table with a hpl / ceramic top. Optional Outdoor Lighting.

 <p><b>Pouf</b> <b>POUF</b></p>  <p>MODELLO REGISTRATO REGISTERED MODEL</p>	 <p><b>14250</b></p>  <p><b>Outdoor Lighting opzionale</b> <b>Outdoor Lighting Optional</b></p>	<p><b>STRUTTURA</b> <b>STRUCTURE</b></p>  <p><b>Grigio Seta</b> <i>Silk Grey</i></p>  <p><b>Bronzo Metal</b> <i>Metal Bronze</i></p>  <p><b>Grigio</b> <i>Grey</i></p>	<p><b>INTRECCIO</b> <b>WEAVING</b></p>  <p><b>Cordino PERLA</b> <i>Rope</i></p>  <p><b>Cordino VAR#TEX</b> <i>Rope BRONZO</i></p>  <p><b>Cordino GREY</b> <i>Rope BROWN</i></p>	<table border="1"> <thead> <tr> <th>Pz</th> <th>L</th> <th>P</th> <th>H</th> </tr> </thead> <tbody> <tr> <td>1</td> <td>41</td> <td>41</td> <td>51</td> </tr> <tr> <td></td> <td>16 1/8</td> <td>16 1/8</td> <td>20 1/8</td> </tr> </tbody> </table> <p><b>m<sup>3</sup> 0,086 - Kg 6,7 tot.</b> <b>Kg 5,5 net</b></p> <table border="1"> <tr> <td>istruzioni d'uso <i>using instruction</i></td> <td><b>IGSED</b></td> </tr> <tr> <td>telo copertura <i>cover</i></td> <td><b>9442C</b></td> </tr> </table>	Pz	L	P	H	1	41	41	51		16 1/8	16 1/8	20 1/8	istruzioni d'uso <i>using instruction</i>	<b>IGSED</b>	telo copertura <i>cover</i>	<b>9442C</b>
	Pz	L	P	H																
1	41	41	51																	
	16 1/8	16 1/8	20 1/8																	
istruzioni d'uso <i>using instruction</i>	<b>IGSED</b>																			
telo copertura <i>cover</i>	<b>9442C</b>																			
<p><b>STRUCTURAL COMPONENTS</b></p> <p>MULTI-PURPOSE BASKET WITH POWDER-COATED AND HAND-WOVEN ALUMINIUM FRAME. IT CAN BECOME A PLANTER WITH A POWDER COATED ALUMINIUM POT HOLDER, A POUF WITH A PADDED SEAT OR A COFFEE TABLE WITH AN HPL / CERAMIC TOP. OPTIONAL OUTDOOR LIGHTING.</p> <p><b>SEAT:</b> QUICK DRY POLYURETHANE PADDING IN SEVERAL DENSITIES + RESIN POLYESTER FIBER, WITH OUTSIDE TOP MESH IN POLYESTER AND OUTSIDE BOTTOM MESH IN POLYPROPYLENE. REMOVABLE CUSHION COVER.</p>																				
<p><b>CHARACTERISTICS OF THE MATERIALS</b></p> <p>CHARACTERISTICS OF THE MATERIALS AND FABRICS ARE DESCRIBED IN THE WEBSITE <a href="http://www.varaschin.it">www.varaschin.it</a> FOLDER "MATERIALS" AND YOU CAN DOWNLOAD FROM FOLDER "DOWLOAD-MATERIALS".</p>																				
<p><b>INSTRUCTIONS FOR USING THE PRODUCT PROPERLY AND SAFELY</b></p> <p>VARASCHIN IS NOT LIABLE FOR DAMAGE CAUSED BY IMPROPER USE. THE SAME APPLIES TO DAMAGE DERIVING FROM USE IN EXTREME WEATHER CONDITIONS OR LACK OF CARE. TIPS FOR EXTENDING LONGEVITY OF COMPONENTS: DURING THE WINTER STORE IN A DRY AND CLOSED PLACE TO AVOID CONDENSATION . DO NOT STEP ON WITH FEET. DO NOT SWING BACK AND FORTH ON THE LEGS. DO NOT SIT ON THE BACK OR ON ARMS. DO NOT USE AS A LADDER. BUTTONS AND THE ZIPPERS OF CLOTHING MAY CAUSE DAMAGE TO THE MATERIALS. IF NECESSARY, PLEASE CONTACT VARASCHIN SPA.</p>																				
<p><b>GENERAL INSTRUCTIONS FOR MAINTENANCE AND CLEANING</b></p> <p>FOR DAILY CLEANING USE A DRY COTTON CLOTH. FOR MORE THOROUGH CLEANING USE ONLY A NEUTRAL PRODUCT DILUTED IN WARM WATER. NEVER USE ALCOHOL, AMMONIUM, THINNERS OR ABRASIVE PRODUCTS. IN MARINE ENVIRONMENTS ARTICLE SHOULD BE WEEKLY WHASD WITH FRESH WATER. FOR CLEANING AND TAKING CARE OF ALL MATERIALS AND FABRICS, SEE THE FOLDER "DOWNLOAD-MAINTENANCE" FROM OUR WEBSITE <a href="http://www.varaschin.it">www.varaschin.it</a> OR ASK FOR IT VIA E-MAIL AT <a href="mailto:customer-care@varaschin.it">customer-care@varaschin.it</a></p>																				
<p><b>GENERAL INFORMATION</b></p> <p>N.B.: VARASCHIN SPA GUARANTEES THAT THE PRODUCT IS MADE OF QUALITY MATERIALS, USING THE BEST TECHNOLOGIES IN THE TRADE. THE COMPANY DECLINES ALL AND ANY LIABILITY FOR DAMAGE TO PERSONS AND/OR THINGS DUE TO IMPROPER USE OF THE PRODUCT. IF IN DOUBT PLEASE CONTACT THE MANUFACTURER.</p>																				
<p><b>DISPOSAL</b></p> <p>PLEASE DO NOT JUST THROW OUT THE PIECE OF FURNITURE OR ANY PART OF IT. AT THE END OF ITS USE, PROVIDE FOR THE RECYCLING OR DISPOSAL OF THE COMPONENTS IN THE APPROPRIATE AREAS.</p>																				
<p><b>FIRE-FIGHTING MEASURES</b></p> <p>ALTHOUGH THE PRODUCT IS NOT INFLAMMABLE, IT IS COMBUSTIBLE. THERE ARE NO RESTRICTIONS ON THE TYPES OF EXTINGUISHERS: POWDER, WATER, FOAM OR CO2. USE SUITABLE PROTECTION TO AVOID BREATHING IN FUMES. DURING DISPOSAL TAKE SPECIAL CARE TO PROTECT THE RESPIRATORY SYSTEM.</p>																				
<p><b>PRODUCT WARRANTY</b></p> <p>REFER TO ARTICLE 3 "PRODUCT WARRANTY" PUBLISHED ON SALES CONDITIONS, DOCUMENTS OF SALE, WEBSITE <a href="http://www.varaschin.it">www.varaschin.it</a></p>																				

**TECHNICAL INFO SHEET:** This product information sheet complies with Italian Legislative Decree No. 206 of 6 September 2005, "Consumer Code".

The information given above refers to the latest data published in the price list. The company reserves the right to alter the models without notice.

**COMPANY WITH SYSTEM MANAGEMENT QUALITY CERTIFIED UNI EN ISO 9001: 2015**



## TIBIDABO

Design CALVI BRAMBILLA

Multipurpose basket with powder coated and hand woven aluminium frame. It can become a pouf with a padded seat or a coffee table with a hpl / ceramic top. Optional Outdoor Lighting.

**14270**  
**Tavolino**  
Coffee table

39  
40

**Outdoor Lighting opzionale**  
Outdoor Lighting Optional

**STRUTTURA**  
STRUCTURE

	<b>Grigio Seta</b> Silk Grey
	<b>Bronzo Metal</b> Metal Bronze
	<b>Grigio</b> Grey

**INTRECCIO**  
WEAVING

	<b>Cordino PERLA</b> Rope
	<b>Cordino VAR#TEX</b> Rope BRONZO
	<b>Cordino GREY</b> Rope BROWN

**C/TOP HPL**

Tavolino top Hpl			
Pz	L	P	H
1	43	43	44
	16 <sup>7</sup> / <sub>8</sub>	16 <sup>7</sup> / <sub>8</sub>	17 <sup>3</sup> / <sub>8</sub>
m <sup>3</sup> 0,081 - Kg 7,5 tot.			
Kg 6,0 net			

**C/TOP CERAMICA**

Tavolino top Hpl			
Pz	L	P	H
1	43	43	44
	16 <sup>7</sup> / <sub>8</sub>	16 <sup>7</sup> / <sub>8</sub>	17 <sup>3</sup> / <sub>8</sub>
m <sup>3</sup> 0,081 - Kg 8,5 tot.			
Kg 7,0 net			

istruzioni d'uso using instruction	<b>IGTAV</b>
telo copertura cover	<b>9442C</b>

### STRUCTURAL COMPONENTS

MULTIPURPOSE BASKET WITH POWDER COATED AND HAND WOVEN ALUMINIUM FRAME. IT CAN BECOME A POUF WITH A PADDED SEAT OR A COFFEE TABLE WITH A HPL / CERAMIC TOP. OPTIONAL OUTDOOR LIGHTING.

### CHARACTERISTICS OF THE MATERIALS

CHARACTERISTICS OF THE MATERIALS AND FABRICS ARE DESCRIBED IN THE WEBSITE [www.varaschin.it](http://www.varaschin.it) FOLDER "MATERIALS" AND YOU CAN DOWNLOAD FROM FOLDER "DOWLOAD-MATERIALS".

### INSTRUCTIONS FOR USING THE PRODUCT PROPERLY AND SAFELY

VARASCHIN IS NOT LIABLE FOR DAMAGE CAUSED BY IMPROPER USE. THE SAME APPLIES TO DAMAGE DERIVING FROM USE IN EXTREME WEATHER CONDITIONS OR LACK OF CARE. TIPS FOR EXTENDING LONGEVITY OF COMPONENTS: DURING THE WINTER STORE IN A DRY AND CLOSED PLACE TO AVOID CONDENSATION . DO NOT STEP ON WITH FEET. DO NOT SWING BACK AND FORTH ON THE LEGS. DO NOT SIT ON THE BACK OR ON ARMS. DO NOT USE AS A LADDER. BUTTONS AND THE ZIPPERS OF CLOTHING MAY CAUSE DAMAGE TO THE MATERIALS. IF NECESSARY, PLEASE CONTACT VARASCHIN SPA.

### GENERAL INSTRUCTIONS FOR MAINTENANCE AND CLEANING

FOR DAILY CLEANING USE A DRY COTTON CLOTH. FOR MORE THOROUGH CLEANING USE ONLY A NEUTRAL PRODUCT DILUTED IN WARM WATER. NEVER USE ALCOHOL, AMMONIUM, THINNERS OR ABRASIVE PRODUCTS. IN MARINE ENVIRONMENTS ARTICLE SHOULD BE WEEKLY WHASED WITH FRESH WATER. FOR CLEANING AND TAKING CARE OF ALL MATERIALS AND FABRICS, SEE THE FOLDER "DOWNLOAD-MAINTENANCE" FROM OUR WEBSITE [www.varaschin.it](http://www.varaschin.it) OR ASK FOR IT VIA E-MAIL AT [customer-care@varaschin.it](mailto:customer-care@varaschin.it)

### GENERAL INFORMATION

N.B.: VARASCHIN SPA GUARANTEES THAT THE PRODUCT IS MADE OF QUALITY MATERIALS, USING THE BEST TECHNOLOGIES IN THE TRADE. THE COMPANY DECLINES ALL AND ANY LIABILITY FOR DAMAGE TO PERSONS AND/OR THINGS DUE TO IMPROPER USE OF THE PRODUCT. IF IN DOUBT PLEASE CONTACT THE MANUFACTURER.

### DISPOSAL

PLEASE DO NOT JUST THROW OUT THE PIECE OF FURNITURE OR ANY PART OF IT. AT THE END OF ITS USE, PROVIDE FOR THE RECYCLING OR DISPOSAL OF THE COMPONENTS IN THE APPROPRIATE AREAS.

### FIRE-FIGHTING MEASURES

ALTHOUGH THE PRODUCT IS NOT INFLAMMABLE, IT IS COMBUSTIBLE. THERE ARE NO RESTRICTIONS ON THE TYPES OF EXTINGUISHERS: POWDER, WATER, FOAM OR CO2. USE SUITABLE PROTECTION TO AVOID BREATHING IN FUMES. DURING DISPOSAL TAKE SPECIAL CARE TO PROTECT THE RESPIRATORY SYSTEM.

### PRODUCT WARRANTY

REFER TO ARTICLE 3 "PRODUCT WARRANTY" PUBLISHED ON SALES CONDITIONS, DOCUMENTS OF SALE, WEBSITE [www.varaschin.it](http://www.varaschin.it)

**TECHNICAL INFO SHEET:** This product information sheet complies with Italian Legislative Decree No. 206 of 6 September 2005, "Consumer Code". The information given above refers to the latest data published in the price list. The company reserves the right to alter the models without notice.


**COMPANY WITH SYSTEM MANAGEMENT QUALITY CERTIFIED UNI EN ISO 9001: 2015**



## TIBIDABO

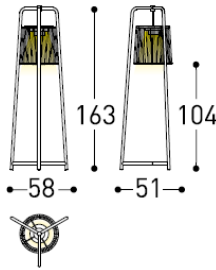
Design CALVI BRAMBILLA

Lampshade with powder-coated aluminium structure and handwoven basket. LED lighting via Outdoor Lighting.



**14290**  
**Paralume**  
**Lampshade**

**Lampada ricaricabile Outdoor Lighting inclusa**  
**Base ricarica esclusa**  
Outdoor Lighting rechargeable lamp included  
Charging base not included



**STRUTTURA**  
STRUCTURE

Grigio Seta  
Silk Grey

Bronzo Metal  
Metal Bronze

Grigio  
Grey

**INTRECCIO**  
WEAVING

Cordino PERLA  
Rope


Cordino VAR#TEX  
Rope BRONZO

Cordino GREY  
Rope BROWN

Pz	L	P	H
1	61	54	167
	24	21 1/4	65 3/4

m<sup>3</sup> 0,550 - Kg 20,0 tot.

**Kg 16,0 net**



**MODELLO REGISTRATO**  
REGISTERED MODEL

telo copertura **9416C**  
cover

### STRUCTURAL COMPONENTS

LAMP SHADE WITH POWDER-COATED ALUMINIUM STRUCTURE AND HANDWOVEN BASKET. LED LIGHTING VIA OUTDOOR LIGHTING.

### CHARACTERISTICS OF THE MATERIALS

CHARACTERISTICS OF THE MATERIALS AND FABRICS ARE DESCRIBED IN THE WEBSITE [www.varaschin.it](http://www.varaschin.it) FOLDER "MATERIALS" AND YOU CAN DOWNLOAD FROM FOLDER "DOWLOAD-MATERIALS".

### INSTRUCTIONS FOR USING THE PRODUCT PROPERLY AND SAFELY

VARASCHIN IS NOT LIABLE FOR DAMAGE CAUSED BY IMPROPER USE. THE SAME APPLIES TO DAMAGE DERIVING FROM USE IN EXTREME WEATHER CONDITIONS OR LACK OF CARE. TIPS FOR EXTENDING LONGEVITY OF COMPONENTS: DURING THE WINTER STORE IN A DRY AND CLOSED PLACE TO AVOID CONDENSATION. DO NOT STEP ON WITH FEET. DO NOT SWING BACK AND FORTH ON THE LEGS. DO NOT SIT ON THE BACK OR ON ARMS. DO NOT USE AS A LADDER. BUTTONS AND THE ZIPPERS OF CLOTHING MAY CAUSE DAMAGE TO THE MATERIALS. IF NECESSARY, PLEASE CONTACT VARASCHIN SPA.

### GENERAL INSTRUCTIONS FOR MAINTENANCE AND CLEANING

FOR DAILY CLEANING USE A DRY COTTON CLOTH. FOR MORE THOROUGH CLEANING USE ONLY A NEUTRAL PRODUCT DILUTED IN WARM WATER. NEVER USE ALCOHOL, AMMONIUM, THINNERS OR ABRASIVE PRODUCTS. IN MARINE ENVIRONMENTS ARTICLE SHOULD BE WEEKLY WHASED WITH FRESH WATER. FOR CLEANING AND TAKING CARE OF ALL MATERIALS AND FABRICS, SEE THE FOLDER "DOWNLOAD-MAINTENANCE" FROM OUR WEBSITE [www.varaschin.it](http://www.varaschin.it) OR ASK FOR IT VIA E-MAIL AT [customer-care@varaschin.it](mailto:customer-care@varaschin.it)

### GENERAL INFORMATION

N.B.: VARASCHIN SPA GUARANTEES THAT THE PRODUCT IS MADE OF QUALITY MATERIALS, USING THE BEST TECHNOLOGIES IN THE TRADE. THE COMPANY DECLINES ALL AND ANY LIABILITY FOR DAMAGE TO PERSONS AND/OR THINGS DUE TO IMPROPER USE OF THE PRODUCT. IF IN DOUBT PLEASE CONTACT THE MANUFACTURER.

### DISPOSAL

PLEASE DO NOT JUST THROW OUT THE PIECE OF FURNITURE OR ANY PART OF IT. AT THE END OF ITS USE, PROVIDE FOR THE RECYCLING OR DISPOSAL OF THE COMPONENTS IN THE APPROPRIATE AREAS.

### FIRE-FIGHTING MEASURES

ALTHOUGH THE PRODUCT IS NOT INFLAMMABLE, IT IS COMBUSTIBLE. THERE ARE NO RESTRICTIONS ON THE TYPES OF EXTINGUISHERS: POWDER, WATER, FOAM OR CO2. USE SUITABLE PROTECTION TO AVOID BREATHING IN FUMES. DURING DISPOSAL TAKE SPECIAL CARE TO PROTECT THE RESPIRATORY SYSTEM.

### PRODUCT WARRANTY

REFER TO ARTICLE 3 "PRODUCT WARRANTY" PUBLISHED ON SALES CONDITIONS, DOCUMENTS OF SALE, WEBSITE [www.varaschin.it](http://www.varaschin.it)

**TECHNICAL INFO SHEET:** This product information sheet complies with Italian Legislative Decree No. 206 of 6 September 2005, "Consumer Code". The information given above refers to the latest data published in the price list. The company reserves the right to alter the models without notice.

**COMPANY WITH SYSTEM MANAGEMENT QUALITY CERTIFIED UNI EN ISO 9001: 2015**