
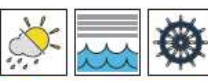







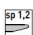
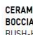

















TIBIDABO

Design CALVI BRAMBILLA

Collection in powder coated aluminium frame and hand woven man-made fibre.

 <p>Tavolo fisso Fixed table</p>  <p>MODELLO REGISTRATO REGISTERED MODEL</p>	<p>STRUTTURA STRUCTURE</p>  <p>Grigio Seta Silk Grey</p>  <p>Bronzo Metal Metal Bronze</p>  <p>Grigio Grey</p>	<p>INTRECCIO WEAVING</p>  <p>Cordino PERLA Rope</p>  <p>Cordino VAR#TEX Rope BRONZO</p>  <p>Cordino GREY Rope BROWN</p>	<p>TOP TOP</p> <p>VETRO GLASS  sp 0,8</p> <p>HPL HPL  sp 1,2</p> <p>CERAMICA BOCCIARDATA BUSH-HAMMERED CERAMIC  sp 1,2</p>	 <p>72,5 + top</p> <table border="0"> <tr> <td>3896</td> <td>Ø90</td> <td></td> <td>9451C</td> </tr> <tr> <td>3966</td> <td>Ø100</td> <td></td> <td>9420C</td> </tr> <tr> <td>3897</td> <td>Ø120</td> <td></td> <td>9420C</td> </tr> <tr> <td>3902</td> <td>Ø130</td> <td></td> <td>9420C</td> </tr> </table>	3896	Ø90		9451C	3966	Ø100		9420C	3897	Ø120		9420C	3902	Ø130		9420C	<p>istruzioni d'uso using instruction</p> <p>IGTAV</p>
	3896	Ø90		9451C																	
	3966	Ø100		9420C																	
	3897	Ø120		9420C																	
3902	Ø130		9420C																		

STRUCTURAL COMPONENTS

TABLE WITH ALUMINIUM FRAME AND SYNTHETIC FIBER WEAVING. FEET IN POLYPROPYLENE. EUROPA GREY GLASS, HPL OR BUSH-HAMMERED CERAMIC TOP.

CHARACTERISTICS OF THE MATERIALS

CHARACTERISTICS OF THE MATERIALS AND FABRICS ARE DESCRIBED IN THE WEBSITE www.varaschin.it FOLDER "MATERIALS" AND YOU CAN DOWNLOAD FROM FOLDER "DOWLOAD-MATERIALS".

INSTRUCTIONS FOR USING THE PRODUCT PROPERLY AND SAFELY

VARASCHIN IS NOT LIABLE FOR DAMAGE CAUSED BY IMPROPER USE. THE SAME APPLIES TO DAMAGE DERIVING FROM USE IN EXTREME WEATHER CONDITIONS OR LACK OF CARE. TIPS FOR EXTENDING LONGEVITY OF COMPONENTS: DURING THE WINTER STORE IN A DRY AND CLOSED PLACE TO AVOID CONDENSATION. DO NOT STEP ON WITH FEET. DO NOT SWING BACK AND FORTH ON THE LEGS. DO NOT SIT. DO NOT USE AS A LADDER. VARASCHIN IS NOT LIABLE FOR DAMAGE CAUSED BY IMPROPER USE. IF NECESSARY, PLEASE CONTACT VARASCHIN SPA. WOOD COLOUR CHANGES MAY OCCUR AFTER SOME TIME DUE TO EXPOSURE TO SUNLIGHT. THIS PRODUCT "FEARS" HEAT SOURCES AND TOO MUCH HUMIDITY, THEREFORE PAY ATTENTION WHERE YOU PLACE IT.

GENERAL INSTRUCTIONS FOR MAINTENANCE AND CLEANING

FOR DAILY CLEANING USE A DRY COTTON CLOTH. FOR MORE THOROUGH CLEANING USE ONLY A NEUTRAL PRODUCT DILUTED IN WARM WATER. NEVER USE ALCOHOL, AMMONIUM, THINNERS OR ABRASIVE PRODUCTS. IN MARINE ENVIRONMENTS ARTICLE SHOULD BE WEEKLY WHASED WITH FRESH WATER. FOR CLEANING AND TAKING CARE OF ALL MATERIALS AND FABRICS, SEE THE FOLDER "DOWNLOAD-MAINTENANCE" FROM OUR WEBSITE www.varaschin.it OR ASK FOR IT VIA E-MAIL AT customer-care@varaschin.it

GENERAL INFORMATION

N.B.: VARASCHIN SPA GUARANTEES THAT THE PRODUCT IS MADE OF QUALITY MATERIALS, USING THE BEST TECHNOLOGIES IN THE TRADE. THE COMPANY DECLINES ALL AND ANY LIABILITY FOR DAMAGE TO PERSONS AND/OR THINGS DUE TO IMPROPER USE OF THE PRODUCT. IF IN DOUBT PLEASE CONTACT THE MANUFACTURER.

DISPOSAL

PLEASE DO NOT JUST THROW OUT THE PIECE OF FURNITURE OR ANY PART OF IT. AT THE END OF ITS USE, PROVIDE FOR THE RECYCLING OR DISPOSAL OF THE COMPONENTS IN THE APPROPRIATE AREAS.

FIRE-FIGHTING MEASURES

ALTHOUGH THE PRODUCT IS NOT INFLAMMABLE, IT IS COMBUSTIBLE. THERE ARE NO RESTRICTIONS ON THE TYPES OF EXTINGUISHERS: POWDER, WATER, FOAM OR CO2. USE SUITABLE PROTECTION TO AVOID BREATHING IN FUMES. DURING DISPOSAL TAKE SPECIAL CARE TO PROTECT THE RESPIRATORY SYSTEM.

PRODUCT WARRANTY

REFER TO ARTICLE 3 "PRODUCT WARRANTY" PUBLISHED ON SALES CONDITIONS, DOCUMENTS OF SALE, WEBSITE www.varaschin.it

TECHNICAL INFO SHEET: This product information sheet complies with Italian Legislative Decree No. 206 of 6 September 2005, "Consumer Code".

The information given above refers to the latest data published in the price list. The company reserves the right to alter the models without notice.

COMPANY WITH SYSTEM MANAGEMENT QUALITY CERTIFIED **UNI EN ISO 9001: 2015**



TIBIDABO

Design CALVI BRAMBILLA

Collection in powder coated aluminium frame and hand woven man-made fibre.

<p>Tavolino Coffee table</p> <p>MODELLO REGISTRATO REGISTERED MODEL</p>	<p>STRUTTURA STRUCTURE</p> <p>Grigio Seta Silk Grey</p>	<p>INTRECCIO WEAVING</p> <p>Cordino PERLA Rope</p>	<p>TOP TOP</p> <p>VETRO sp. 0,8 cm GLASS 0,8 cm thick</p> <p>HPL sp. 1,2 cm HPL 1,2 cm thick</p>	<p>3107</p> <p>Ø65</p>	<p>istruzioni d'uso using instruction</p> <p>telo copertura cover</p> <p>IGTAV</p> <p>9441C</p>
	<p>Bronzo Metal Metal Bronze</p> <p>Cordino VAR#TEX Rope BRONZO</p>	<p>Grigio Grey</p> <p>Cordino GREY Rope BROWN</p>	<p>CERAMICA BOCCIARDATA sp. 1,2 cm BUSH-HAMMERED CERAMIC 1,2 cm thick</p>	<p>3108</p> <p>Ø95</p>	<p>istruzioni d'uso using instruction</p> <p>telo copertura cover</p> <p>IGTAV</p> <p>9440C</p>

STRUCTURAL COMPONENTS

COFFEE TABLE WITH POWDER COATED ALUMINIUM FRAME AND SYNTHETIC FIBER WEAVING. FEET IN POLYPROPYLENE. EUROPE GREY GLASS, HPL OR BUSH-HAMMERED CERAMIC TOP.

CHARACTERISTICS OF THE MATERIALS

CHARACTERISTICS OF THE MATERIALS AND FABRICS ARE DESCRIBED IN THE WEBSITE www.varaschin.it FOLDER "MATERIALS" AND YOU CAN DOWNLOAD FROM FOLDER "DOWLOAD-MATERIALS".

INSTRUCTIONS FOR USING THE PRODUCT PROPERLY AND SAFELY

VARASCHIN IS NOT LIABLE FOR DAMAGE CAUSED BY IMPROPER USE. THE SAME APPLIES TO DAMAGE DERIVING FROM USE IN EXTREME WEATHER CONDITIONS OR LACK OF CARE. TIPS FOR EXTENDING LONGEVITY OF COMPONENTS: DURING THE WINTER STORE IN A DRY AND CLOSED PLACE TO AVOID CONDENSATION. DO NOT STEP ON WITH FEET. DO NOT SWING BACK AND FORTH ON THE LEGS. DO NOT SIT. DO NOT USE AS A LADDER. VARASCHIN IS NOT LIABLE FOR DAMAGE CAUSED BY IMPROPER USE. IF NECESSARY, PLEASE CONTACT VARASCHIN SPA. WOOD COLOUR CHANGES MAY OCCUR AFTER SOME TIME DUE TO EXPOSURE TO SUNLIGHT. THIS PRODUCT "FEARS" HEAT SOURCES AND TOO MUCH HUMIDITY, THEREFORE PAY ATTENTION WHERE YOU PLACE IT.

GENERAL INSTRUCTIONS FOR MAINTENANCE AND CLEANING

FOR DAILY CLEANING USE A DRY COTTON CLOTH. FOR MORE THOROUGH CLEANING USE ONLY A NEUTRAL PRODUCT DILUTED IN WARM WATER. NEVER USE ALCOHOL, AMMONIUM, THINNERS OR ABRASIVE PRODUCTS. IN MARINE ENVIRONMENTS ARTICLE SHOULD BE WEEKLY WHASED WITH FRESH WATER. FOR CLEANING AND TAKING CARE OF ALL MATERIALS AND FABRICS, SEE THE FOLDER "DOWNLOAD-MAINTENANCE" FROM OUR WEBSITE www.varaschin.it OR ASK FOR IT VIA E-MAIL AT customer-care@varaschin.it

GENERAL INFORMATION

N.B.: VARASCHIN SPA GUARANTEES THAT THE PRODUCT IS MADE OF QUALITY MATERIALS, USING THE BEST TECHNOLOGIES IN THE TRADE. THE COMPANY DECLINES ALL AND ANY LIABILITY FOR DAMAGE TO PERSONS AND/OR THINGS DUE TO IMPROPER USE OF THE PRODUCT. IF IN DOUBT PLEASE CONTACT THE MANUFACTURER.

DISPOSAL

PLEASE DO NOT JUST THROW OUT THE PIECE OF FURNITURE OR ANY PART OF IT. AT THE END OF ITS USE, PROVIDE FOR THE RECYCLING OR DISPOSAL OF THE COMPONENTS IN THE APPROPRIATE AREAS.

FIRE-FIGHTING MEASURES

ALTHOUGH THE PRODUCT IS NOT INFLAMMABLE, IT IS COMBUSTIBLE. THERE ARE NO RESTRICTIONS ON THE TYPES OF EXTINGUISHERS: POWDER, WATER, FOAM OR CO2. USE SUITABLE PROTECTION TO AVOID BREATHING IN FUMES. DURING DISPOSAL TAKE SPECIAL CARE TO PROTECT THE RESPIRATORY SYSTEM.

PRODUCT WARRANTY

REFER TO ARTICLE 3 "PRODUCT WARRANTY" PUBLISHED ON SALES CONDITIONS, DOCUMENTS OF SALE, WEBSITE www.varaschin.it

TECHNICAL INFO SHEET: This product information sheet complies with Italian Legislative Decree No. 206 of 6 September 2005, "Consumer Code".

The information given above refers to the latest data published in the price list. The company reserves the right to alter the models without notice.

COMPANY WITH SYSTEM MANAGEMENT QUALITY CERTIFIED **UNI EN ISO 9001: 2015**



TIBIDABO

Design CALVI BRAMBILLA

Collection in powder coated aluminum frame and hand woven man-made fibre. Cushions in "Dryfeel" outdoor foam.

1067
Poltrona
Armchair

cuscino seduta e 1 cuscino schienale incluso
seat and 1 back cushion included
1 pz - art. 2716 (60x60)

STRUTTURA
STRUCTURE

Grigio Seta
Silk Grey

Bronzo Metal
Metal Bronze

Grigio
Grey

INTRECCIO
WEAVING

Cordino PERLA
Rope

Cordino VAR#TEX
Rope BRONZO

Cordino GREY
Rope BROWN

Pz	L	P	H
1	83	76	80
	32 ⁵ / ₈	29 ⁷ / ₈	31 ¹ / ₂

m² 0,505 - Kg 21,0 tot.

Kg 14,0 net
11,0 + 3,0 cusc.

Cuscini compresi
Cushions included

istruzioni d'uso using instruction	IGSED
telo copertura cover	9450C

STRUCTURAL COMPONENTS

ARMCHAIR WITH POWDER COATED ALUMINIUM FRAME AND SYNTHETIC FIBER WEAVING. FEET IN POLYPROPYLENE.

SEAT: QUICK DRY POLYURETHANE PADDING IN SEVERAL DENSITIES + RESIN POLYESTER FIBER, WITH OUTSIDE TOP MESH IN POLYESTER AND OUTSIDE BOTTOM MESH IN POLYPROPYLENE. REMOVABLE CUSHION COVER.

BACK CUSHION: 100% SPIRAL SILICON POLYESTER FIBER PADDING WITH OUTSIDE MESH IN POLYPROPYLENE. REMOVABLE CUSHION COVER.

CHARACTERISTICS OF THE MATERIALS

CHARACTERISTICS OF THE MATERIALS AND FABRICS ARE DESCRIBED IN THE WEBSITE www.varaschin.it FOLDER "MATERIALS" AND YOU CAN DOWNLOAD FROM FOLDER "DOWNLOAND-MATERIALS".

INSTRUCTIONS FOR USING THE PRODUCT PROPERLY AND SAFELY

VARASCHIN IS NOT LIABLE FOR DAMAGE CAUSED BY IMPROPER USE. THE SAME APPLIES TO DAMAGE DERIVING FROM USE IN EXTREME WEATHER CONDITIONS OR LACK OF CARE. TIPS FOR EXTENDING LONGEVITY OF COMPONENTS: DURING THE WINTER STORE IN A DRY AND CLOSED PLACE TO AVOID CONDENSATION .

DO NOT STEP ON WITH FEET. DO NOT SWING BACK AND FORTH ON THE LEGS. DO NOT SIT ON THE BACK OR ON ARMS. DO NOT USE AS A LADDER. BUTTONS AND THE ZIPPERS OF CLOTHING MAY CAUSE DAMAGE TO THE MATERIALS. IF NECESSARY, PLEASE CONTACT VARASCHIN SPA.

GENERAL INSTRUCTIONS FOR MAINTENANCE AND CLEANING

FOR DAILY CLEANING USE A DRY COTTON CLOTH. FOR MORE THOROUGH CLEANING USE ONLY A NEUTRAL PRODUCT DILUTED IN WARM WATER. NEVER USE ALCOHOL, AMMONIUM, THINNERS OR ABRASIVE PRODUCTS. IN MARINE ENVIRONMENTS ARTICLE SHOULD BE WEEKLY WHASD WITH FRESH WATER.

FOR CLEANING AND TAKING CARE OF ALL MATERIALS AND FABRICS, SEE THE FOLDER "DOWNLOAD-MAINTENANCE" FROM OUR WEBSITE www.varaschin.it OR ASK FOR IT VIA E-MAIL AT customercare@varaschin.it

GENERAL INFORMATION

N.B.: VARASCHIN SPA GUARANTEES THAT THE PRODUCT IS MADE OF QUALITY MATERIALS, USING THE BEST TECHNOLOGIES IN THE TRADE. THE COMPANY DECLINES ALL AND ANY LIABILITY FOR DAMAGE TO PERSONS AND/OR THINGS DUE TO IMPROPER USE OF THE PRODUCT. IF IN DOUBT PLEASE CONTACT THE MANUFACTURER.

DISPOSAL

PLEASE DO NOT JUST THROW OUT THE PIECE OF FURNITURE OR ANY PART OF IT. AT THE END OF ITS USE, PROVIDE FOR THE RECYCLING OR DISPOSAL OF THE COMPONENTS IN THE APPROPRIATE AREAS.

FIRE-FIGHTING MEASURES

ALTHOUGH THE PRODUCT IS NOT INFLAMMABLE, IT IS COMBUSTIBLE. THERE ARE NO RESTRICTIONS ON THE TYPES OF EXTINGUISHERS: POWDER, WATER, FOAM OR CO2. USE SUITABLE PROTECTION TO AVOID BREATHING IN FUMES. DURING DISPOSAL TAKE SPECIAL CARE TO PROTECT THE RESPIRATORY SYSTEM.

PRODUCT WARRANTY

REFER TO ARTICLE 3 "PRODUCT WARRANTY" PUBLISHED ON SALES CONDITIONS, DOCUMENTS OF SALE, WEBSITE www.varaschin.it

TECHNICAL INFO SHEET: This product information sheet complies with Italian Legislative Decree No. 206 of 6 September 2005, "Consumer Code".

The information given above refers to the latest data published in the price list. The company reserves the right to alter the models without notice.

COMPANY WITH SYSTEM MANAGEMENT QUALITY CERTIFIED **UNI EN ISO 9001: 2015**



TIBIDABO

Design CALVI BRAMBILLA

Collection in powder coated aluminum frame and hand woven man-made fibre. Cushions in "Dryfeel" outdoor foam.

1069
Poltrona alta
High back armchair

cuscino seduta e 1 cuscino schienale incluso
seat and 1 back cushion included
1 pz - art. 2716 (60x60)

STRUTTURA
STRUCTURE

INTRECCIO
WEAVING

Pz	L	P	H
1	105	86	131
	41 ³ / ₈	33 ⁷ / ₈	51 ⁵ / ₈

m³ 1,183 - Kg 29,0 tot.

Kg 19,2 net
16,2 + 3,0 cusc.

Cuscini compresi
Cushions included

istruzioni d'uso using instruction	IGSED
telo copertura cover	9480C

STRUCTURAL COMPONENTS

HIGH BACK ARMCHAIR WITH POWDER COATED ALUMINIUM FRAME AND SYNTHETIC FIBER WEAVING. FEET IN POLYPROPYLENE.

SEAT: QUICK DRY POLYURETHANE PADDING IN SEVERAL DENSITIES + RESIN POLYESTER FIBER, WITH OUTSIDE TOP MESH IN POLYESTER AND OUTSIDE BOTTOM MESH IN POLYPROPYLENE. REMOVABLE CUSHION COVER.

BACK CUSHION: 100% SPIRAL SILICON POLYESTER FIBER PADDING WITH OUTSIDE MESH IN POLYPROPYLENE. REMOVABLE CUSHION COVER.

CHARACTERISTICS OF THE MATERIALS

CHARACTERISTICS OF THE MATERIALS AND FABRICS ARE DESCRIBED IN THE WEBSITE www.varaschin.it FOLDER "MATERIALS" AND YOU CAN DOWNLOAD FROM FOLDER "DOWNLOAND-MATERIALS".

INSTRUCTIONS FOR USING THE PRODUCT PROPERLY AND SAFELY

VARASCHIN IS NOT LIABLE FOR DAMAGE CAUSED BY IMPROPER USE. THE SAME APPLIES TO DAMAGE DERIVING FROM USE IN EXTREME WEATHER CONDITIONS OR LACK OF CARE. TIPS FOR EXTENDING LONGEVITY OF COMPONENTS: DURING THE WINTER STORE IN A DRY AND CLOSED PLACE TO AVOID CONDENSATION .

DO NOT STEP ON WITH FEET. DO NOT SWING BACK AND FORTH ON THE LEGS. DO NOT SIT ON THE BACK OR ON ARMS. DO NOT USE AS A LADDER. BUTTONS AND THE ZIPPERS OF CLOTHING MAY CAUSE DAMAGE TO THE MATERIALS. IF NECESSARY, PLEASE CONTACT VARASCHIN SPA.

GENERAL INSTRUCTIONS FOR MAINTENANCE AND CLEANING

FOR DAILY CLEANING USE A DRY COTTON CLOTH. FOR MORE THOROUGH CLEANING USE ONLY A NEUTRAL PRODUCT DILUTED IN WARM WATER. NEVER USE ALCOHOL, AMMONIUM, THINNERS OR ABRASIVE PRODUCTS. IN MARINE ENVIRONMENTS ARTICLE SHOULD BE WEEKLY WHASD WITH FRESH WATER.

FOR CLEANING AND TAKING CARE OF ALL MATERIALS AND FABRICS, SEE THE FOLDER "DOWNLOAD-MAINTENANCE" FROM OUR WEBSITE www.varaschin.it OR ASK FOR IT VIA E-MAIL AT customer-care@varaschin.it

GENERAL INFORMATION

N.B.: VARASCHIN SPA GUARANTEES THAT THE PRODUCT IS MADE OF QUALITY MATERIALS, USING THE BEST TECHNOLOGIES IN THE TRADE. THE COMPANY DECLINES ALL AND ANY LIABILITY FOR DAMAGE TO PERSONS AND/OR THINGS DUE TO IMPROPER USE OF THE PRODUCT. IF IN DOUBT PLEASE CONTACT THE MANUFACTURER.

DISPOSAL

PLEASE DO NOT JUST THROW OUT THE PIECE OF FURNITURE OR ANY PART OF IT. AT THE END OF ITS USE, PROVIDE FOR THE RECYCLING OR DISPOSAL OF THE COMPONENTS IN THE APPROPRIATE AREAS.

FIRE-FIGHTING MEASURES

ALTHOUGH THE PRODUCT IS NOT INFLAMMABLE, IT IS COMBUSTIBLE. THERE ARE NO RESTRICTIONS ON THE TYPES OF EXTINGUISHERS: POWDER, WATER, FOAM OR CO2. USE SUITABLE PROTECTION TO AVOID BREATHING IN FUMES. DURING DISPOSAL TAKE SPECIAL CARE TO PROTECT THE RESPIRATORY SYSTEM.

PRODUCT WARRANTY

REFER TO ARTICLE 3 "PRODUCT WARRANTY" PUBLISHED ON SALES CONDITIONS, DOCUMENTS OF SALE, WEBSITE www.varaschin.it

TECHNICAL INFO SHEET: This product information sheet complies with Italian Legislative Decree No. 206 of 6 September 2005, "Consumer Code".

The information given above refers to the latest data published in the price list. The company reserves the right to alter the models without notice.

COMPANY WITH SYSTEM MANAGEMENT QUALITY CERTIFIED **UNI EN ISO 9001: 2015**



TIBIDABO

Design CALVI BRAMBILLA

Collection in powder coated aluminum frame and hand woven man-made fibre. Cushions in "Dryfeel" outdoor foam.

1246
Divano 2 posti
2 seater sofa

STRUTTURA
STRUCTURE

Grigio Seta
Silk Grey

Bronzo Metal
Metal Bronze

Grigio
Grey

INTRECCIO
WEAVING

Cordino PERLA
Rope

Cordino VAR#TEX
Rope BRONZO

Cordino GREY
Rope BROWN

Pz	L	P	H
1	172	83	79
	67 ³ / ₄	32 ⁵ / ₈	31 ¹ / ₈

m³ 1,128 - Kg 37,0 tot.

Kg 30,2 net
20,2 + 10,0 cusc.

Cuscini compresi
Cushions included

istruzioni d'uso using instruction	IGSED
telo copertura cover	9460C

MODELLO REGISTRATO
REGISTERED MODEL

STRUCTURAL COMPONENTS

2 SEATER SOFA WITH POWDER COATED ALUMINIUM FRAME AND SYNTHETIC FIBER WEAVING. FEET IN POLYPROPYLENE.

SEAT: QUICK DRY POLYURETHANE PADDING IN SEVERAL DENSITIES + RESIN POLYESTER FIBER, WITH OUTSIDE TOP MESH IN POLYESTER AND OUTSIDE BOTTOM MESH IN POLYPROPYLENE. REMOVABLE CUSHION COVER.

BACK CUSHION: 100% SPIRAL SILICON POLYESTER FIBER PADDING WITH OUTSIDE MESH IN POLYPROPYLENE. REMOVABLE CUSHION COVER.

CHARACTERISTICS OF THE MATERIALS

CHARACTERISTICS OF THE MATERIALS AND FABRICS ARE DESCRIBED IN THE WEBSITE www.varaschin.it FOLDER "MATERIALS" AND YOU CAN DOWNLOAD FROM FOLDER "DOWNLOAND-MATERIALS".

INSTRUCTIONS FOR USING THE PRODUCT PROPERLY AND SAFELY

VARASCHIN IS NOT LIABLE FOR DAMAGE CAUSED BY IMPROPER USE. THE SAME APPLIES TO DAMAGE DERIVING FROM USE IN EXTREME WEATHER CONDITIONS OR LACK OF CARE. TIPS FOR EXTENDING LONGEVITY OF COMPONENTS: DURING THE WINTER STORE IN A DRY AND CLOSED PLACE TO AVOID CONDENSATION .

DO NOT STEP ON WITH FEET. DO NOT SWING BACK AND FORTH ON THE LEGS. DO NOT SIT ON THE BACK OR ON ARMS. DO NOT USE AS A LADDER. BUTTONS AND THE ZIPPERS OF CLOTHING MAY CAUSE DAMAGE TO THE MATERIALS. IF NECESSARY, PLEASE CONTACT VARASCHIN SPA.

GENERAL INSTRUCTIONS FOR MAINTENANCE AND CLEANING

FOR DAILY CLEANING USE A DRY COTTON CLOTH. FOR MORE THOROUGH CLEANING USE ONLY A NEUTRAL PRODUCT DILUTED IN WARM WATER. NEVER USE ALCOHOL, AMMONIUM, THINNERS OR ABRASIVE PRODUCTS. IN MARINE ENVIRONMENTS ARTICLE SHOULD BE WEEKLY WHASD WITH FRESH WATER.

FOR CLEANING AND TAKING CARE OF ALL MATERIALS AND FABRICS, SEE THE FOLDER "DOWNLOAD-MAINTENANCE" FROM OUR WEBSITE www.varaschin.it OR ASK FOR IT VIA E-MAIL AT customercare@varaschin.it

GENERAL INFORMATION

N.B.: VARASCHIN SPA GUARANTEES THAT THE PRODUCT IS MADE OF QUALITY MATERIALS, USING THE BEST TECHNOLOGIES IN THE TRADE. THE COMPANY DECLINES ALL AND ANY LIABILITY FOR DAMAGE TO PERSONS AND/OR THINGS DUE TO IMPROPER USE OF THE PRODUCT. IF IN DOUBT PLEASE CONTACT THE MANUFACTURER.

DISPOSAL

PLEASE DO NOT JUST THROW OUT THE PIECE OF FURNITURE OR ANY PART OF IT. AT THE END OF ITS USE, PROVIDE FOR THE RECYCLING OR DISPOSAL OF THE COMPONENTS IN THE APPROPRIATE AREAS.

FIRE-FIGHTING MEASURES

ALTHOUGH THE PRODUCT IS NOT INFLAMMABLE, IT IS COMBUSTIBLE. THERE ARE NO RESTRICTIONS ON THE TYPES OF EXTINGUISHERS: POWDER, WATER, FOAM OR CO2. USE SUITABLE PROTECTION TO AVOID BREATHING IN FUMES. DURING DISPOSAL TAKE SPECIAL CARE TO PROTECT THE RESPIRATORY SYSTEM.

PRODUCT WARRANTY

REFER TO ARTICLE 3 "PRODUCT WARRANTY" PUBLISHED ON SALES CONDITIONS, DOCUMENTS OF SALE, WEBSITE www.varaschin.it

TECHNICAL INFO SHEET: This product information sheet complies with Italian Legislative Decree No. 206 of 6 September 2005, "Consumer Code".

The information given above refers to the latest data published in the price list. The company reserves the right to alter the models without notice.


COMPANY WITH SYSTEM MANAGEMENT QUALITY CERTIFIED **UNI EN ISO 9001: 2015**



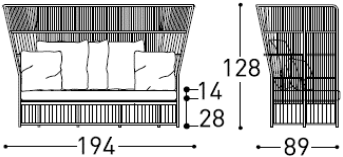
TIBIDABO

Design CALVI BRAMBILLA

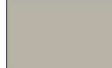
Collection in powder coated aluminum frame and hand woven man-made fibre. Cushions in "Dryfeel" outdoor foam.




1248
Divano alto
High back sofa




STRUTTURA
STRUCTURE



Grigio Seta
Silk Grey




Bronzo Metal
Metal Bronze




Grigio
Grey


INTRECCIO
WEAVING



Cordino PERLA
Rope



Cordino VAR#TEX
Rope BRONZO



Cordino GREY
Rope BROWN

Pz	L	P	H
1	197	92	132
	77 1/2	36 1/4	52

m³ 2,392 - Kg 47,0 tot.
Kg 37,0 net
27,0 + 10,0 cusc.

Cuscini compresi
Cushions included

istruzioni d'uso using instruction	IGSED
telo copertura cover	9485C

STRUCTURAL COMPONENTS

HIGH BACK SOFA WITH POWDER COATED ALUMINIUM FRAME AND SYNTHETIC FIBER WEAVING. FEET IN POLYPROPYLENE.

SEAT: QUICK DRY POLYURETHANE PADDING IN SEVERAL DENSITIES + RESIN POLYESTER FIBER, WITH OUTSIDE TOP MESH IN POLYESTER AND OUTSIDE BOTTOM MESH IN POLYPROPYLENE. REMOVABLE CUSHION COVER.

BACK CUSHION: 100% SPIRAL SILICON POLYESTER FIBER PADDING WITH OUTSIDE MESH IN POLYPROPYLENE. REMOVABLE CUSHION COVER.

CHARACTERISTICS OF THE MATERIALS

CHARACTERISTICS OF THE MATERIALS AND FABRICS ARE DESCRIBED IN THE WEBSITE www.varaschin.it FOLDER "MATERIALS" AND YOU CAN DOWNLOAD FROM FOLDER "DOWNLOAND-MATERIALS".

INSTRUCTIONS FOR USING THE PRODUCT PROPERLY AND SAFELY

VARASCHIN IS NOT LIABLE FOR DAMAGE CAUSED BY IMPROPER USE. THE SAME APPLIES TO DAMAGE DERIVING FROM USE IN EXTREME WEATHER CONDITIONS OR LACK OF CARE. TIPS FOR EXTENDING LONGEVITY OF COMPONENTS: DURING THE WINTER STORE IN A DRY AND CLOSED PLACE TO AVOID CONDENSATION .

DO NOT STEP ON WITH FEET. DO NOT SWING BACK AND FORTH ON THE LEGS. DO NOT SIT ON THE BACK OR ON ARMS. DO NOT USE AS A LADDER. BUTTONS AND THE ZIPPERS OF CLOTHING MAY CAUSE DAMAGE TO THE MATERIALS. IF NECESSARY, PLEASE CONTACT VARASCHIN SPA.

GENERAL INSTRUCTIONS FOR MAINTENANCE AND CLEANING

FOR DAILY CLEANING USE A DRY COTTON CLOTH. FOR MORE THOROUGH CLEANING USE ONLY A NEUTRAL PRODUCT DILUTED IN WARM WATER. NEVER USE ALCOHOL, AMMONIUM, THINNERS OR ABRASIVE PRODUCTS. IN MARINE ENVIRONMENTS ARTICLE SHOULD BE WEEKLY WHASD WITH FRESH WATER.

FOR CLEANING AND TAKING CARE OF ALL MATERIALS AND FABRICS, SEE THE FOLDER "DOWNLOAD-MAINTENANCE" FROM OUR WEBSITE www.varaschin.it OR ASK FOR IT VIA E-MAIL AT customer-care@varaschin.it

GENERAL INFORMATION

N.B.: VARASCHIN SPA GUARANTEES THAT THE PRODUCT IS MADE OF QUALITY MATERIALS, USING THE BEST TECHNOLOGIES IN THE TRADE. THE COMPANY DECLINES ALL AND ANY LIABILITY FOR DAMAGE TO PERSONS AND/OR THINGS DUE TO IMPROPER USE OF THE PRODUCT. IF IN DOUBT PLEASE CONTACT THE MANUFACTURER.

DISPOSAL

PLEASE DO NOT JUST THROW OUT THE PIECE OF FURNITURE OR ANY PART OF IT. AT THE END OF ITS USE, PROVIDE FOR THE RECYCLING OR DISPOSAL OF THE COMPONENTS IN THE APPROPRIATE AREAS.

FIRE-FIGHTING MEASURES

ALTHOUGH THE PRODUCT IS NOT INFLAMMABLE, IT IS COMBUSTIBLE. THERE ARE NO RESTRICTIONS ON THE TYPES OF EXTINGUISHERS: POWDER, WATER, FOAM OR CO2. USE SUITABLE PROTECTION TO AVOID BREATHING IN FUMES. DURING DISPOSAL TAKE SPECIAL CARE TO PROTECT THE RESPIRATORY SYSTEM.

PRODUCT WARRANTY

REFER TO ARTICLE 3 "PRODUCT WARRANTY" PUBLISHED ON SALES CONDITIONS, DOCUMENTS OF SALE, WEBSITE www.varaschin.it

TECHNICAL INFO SHEET: This product information sheet complies with Italian Legislative Decree No. 206 of 6 September 2005, "Consumer Code".

The information given above refers to the latest data published in the price list. The company reserves the right to alter the models without notice.

COMPANY WITH SYSTEM MANAGEMENT QUALITY CERTIFIED **UNI EN ISO 9001: 2015**



TIBIDABO

Design CALVI BRAMBILLA

Collection in powder coated aluminum frame and hand woven man-made fibre. Cushions in "Dryfeel" outdoor foam.

STRUTTURA STRUCTURE Grigio Seta Silk Grey Bronzo Metal Metal Bronze Grigio Grey IGSED istruzioni d'uso using instruction telo copertura cover 9424C MUNTO DI 2 PIEDINI CON RUOTE 2 FEET WITH WHEELS	INTRECCIO WEAVING Cordino PERLA Rope Cordino VARWETEX Rope BRONZO Cordino GREY Rope BROWN	 1420 Daybed base Base Daybed <table border="1"> <thead> <tr> <th>Pz</th> <th>L</th> <th>P</th> <th>H</th> </tr> </thead> <tbody> <tr> <td>1</td> <td>167</td> <td>189</td> <td>70</td> </tr> <tr> <td></td> <td>65³/₄</td> <td>74³/₈</td> <td>27¹/₂</td> </tr> </tbody> </table> m ³ 2,209 - Kg 62,0 tot. Kg 53,0 net 32,0 + 21,0 cusc. Cuscini compresi Cushions included cuscino seduta e 2 cuscini schienale inclusi seat and 2 back cushions included 2 pz - art. 2729 (70X55) 161 183 14 76 28	Pz	L	P	H	1	167	189	70		65 ³ / ₄	74 ³ / ₈	27 ¹ / ₂	 1420A Daybed CONFORT CONFORT Daybed <table border="1"> <thead> <tr> <th>Pz</th> <th>L</th> <th>P</th> <th>H</th> </tr> </thead> <tbody> <tr> <td>1</td> <td>167</td> <td>189</td> <td>70</td> </tr> <tr> <td></td> <td>65³/₄</td> <td>74³/₈</td> <td>27¹/₂</td> </tr> </tbody> </table> m ³ 2,209 - Kg 64,0 tot. Kg 55,0 net 32,0 + 23,0 cusc. Cuscini compresi Cushions included cuscino seduta e 4 cuscini schienale inclusi seat and 4 back cushions included 2 pz - art. 2729 (70X55) 2 pz - art. 2726 (60X40) 161 183 14 76 28	Pz	L	P	H	1	167	189	70		65 ³ / ₄	74 ³ / ₈	27 ¹ / ₂
Pz	L	P	H																								
1	167	189	70																								
	65 ³ / ₄	74 ³ / ₈	27 ¹ / ₂																								
Pz	L	P	H																								
1	167	189	70																								
	65 ³ / ₄	74 ³ / ₈	27 ¹ / ₂																								

STRUCTURAL COMPONENTS

DAYBED WITH POWDER COATED ALUMINIUM FRAME AND SYNTHETIC FIBER WEAVING. FEET IN POLYPROPYLENE.

SEAT: QUICK DRY POLYURETHANE PADDING IN SEVERAL DENSITIES + RESIN POLYESTER FIBER, WITH OUTSIDE TOP MESH IN POLYESTER AND OUTSIDE BOTTOM MESH IN POLYPROPYLENE. REMOVABLE CUSHION COVER.

BACK CUSHION: 100% SPIRAL SILICON POLYESTER FIBER PADDING WITH OUTSIDE MESH IN POLYPROPYLENE. REMOVABLE CUSHION COVER.

CHARACTERISTICS OF THE MATERIALS

CHARACTERISTICS OF THE MATERIALS AND FABRICS ARE DESCRIBED IN THE WEBSITE www.varaschin.it FOLDER "MATERIALS" AND YOU CAN DOWNLOAD FROM FOLDER "DOWLOAD-MATERIALS".

INSTRUCTIONS FOR USING THE PRODUCT PROPERLY AND SAFELY

VARASCHIN IS NOT LIABLE FOR DAMAGE CAUSED BY IMPROPER USE. THE SAME APPLIES TO DAMAGE DERIVING FROM USE IN EXTREME WEATHER CONDITIONS OR LACK OF CARE. TIPS FOR EXTENDING LONGEVITY OF COMPONENTS: DURING THE WINTER STORE IN A DRY AND CLOSED PLACE TO AVOID CONDENSATION .

DO NOT STEP ON WITH FEET. DO NOT SWING BACK AND FORTH ON THE LEGS. DO NOT SIT ON THE BACK OR ON ARMS. DO NOT USE AS A LADDER. BUTTONS AND THE ZIPPERS OF CLOTHING MAY CAUSE DAMAGE TO THE MATERIALS. IF NECESSARY, PLEASE CONTACT VARASCHIN SPA.

GENERAL INSTRUCTIONS FOR MAINTENANCE AND CLEANING

FOR DAILY CLEANING USE A DRY COTTON CLOTH. FOR MORE THOROUGH CLEANING USE ONLY A NEUTRAL PRODUCT DILUTED IN WARM WATER. NEVER USE ALCOHOL, AMMONIUM, THINNERS OR ABRASIVE PRODUCTS. IN MARINE ENVIRONMENTS ARTICLE SHOULD BE WEEKLY WHASED WITH FRESH WATER.

FOR CLEANING AND TAKING CARE OF ALL MATERIALS AND FABRICS, SEE THE FOLDER "DOWNLOAD-MAINTENANCE" FROM OUR WEBSITE www.varaschin.it OR ASK FOR IT VIA E-MAIL AT customercare@varaschin.it

GENERAL INFORMATION

N.B.: VARASCHIN SPA GUARANTEES THAT THE PRODUCT IS MADE OF QUALITY MATERIALS, USING THE BEST TECHNOLOGIES IN THE TRADE. THE COMPANY DECLINES ALL AND ANY LIABILITY FOR DAMAGE TO PERSONS AND/OR THINGS DUE TO IMPROPER USE OF THE PRODUCT. IF IN DOUBT PLEASE CONTACT THE MANUFACTURER.

DISPOSAL

PLEASE DO NOT JUST THROW OUT THE PIECE OF FURNITURE OR ANY PART OF IT. AT THE END OF ITS USE, PROVIDE FOR THE RECYCLING OR DISPOSAL OF THE COMPONENTS IN THE APPROPRIATE AREAS.

FIRE-FIGHTING MEASURES

ALTHOUGH THE PRODUCT IS NOT INFLAMMABLE, IT IS COMBUSTIBLE. THERE ARE NO RESTRICTIONS ON THE TYPES OF EXTINGUISHERS: POWDER, WATER, FOAM OR CO2. USE SUITABLE PROTECTION TO AVOID BREATHING IN FUMES. DURING DISPOSAL TAKE SPECIAL CARE TO PROTECT THE RESPIRATORY SYSTEM.

PRODUCT WARRANTY

REFER TO ARTICLE 3 "PRODUCT WARRANTY" PUBLISHED ON SALES CONDITIONS, DOCUMENTS OF SALE, WEBSITE www.varaschin.it

TECHNICAL INFO SHEET: This product information sheet complies with Italian Legislative Decree No. 206 of 6 September 2005, "Consumer Code".

The information given above refers to the latest data published in the price list. The company reserves the right to alter the models without notice.

COMPANY WITH SYSTEM MANAGEMENT QUALITY CERTIFIED **UNI EN ISO 9001: 2015**



TIBIDABO

Design CALVI BRAMBILLA

Supporting structure in powder coated steel tube with C5M cycle (suitable for use in marine areas). Two-seater seat with powder-coated aluminum frame and hand-woven synthetic fiber rope (PVC), seat and back cushions stuffed with Dryfeel outdoor foam. Suspended version with a pair of supporting ropes.

1421

Altalena Nest



Altalena con struttura, corde, cuscino seduta e 2 cuscini schienale inclusi
Swing with structure, ropes, seat and 2 back cushions included
2 pz - art. 2734 (55x75)



TEST	ART.	Requisiti generali di sicurezza EN 581-1:2017 TEST SUPERATO - NESSUN DIFETTO
cer	1421	Carico statico su sedile e schienale EN 1728:2012+AC:2013 TEST SUPERATO - NESSUN DIFETTO
		Resistenza a fatica sedile e schienale EN 1728:2012+AC:2013 TEST SUPERATO - NESSUN DIFETTO
		Resistenza a corrosione redance acciaio aisi 304 NSS UNI EN ISO 9227:2017 TEST SUPERATO - NESSUN DIFETTO
		General security requirements EN 581-1:2017 TEST PASSED - NO DEFECTS
		Static load on seat and backrest EN 1728:2012+AC:2013 TEST PASSED - NO DEFECTS
		Backrest and seat fatigue resistance EN 1728:2012+AC:2013 TEST PASSED - NO DEFECT
		Steel redance corrosion resistance NSS UNI EN ISO 9227:2017 TEST PASSED - NO DEFECT

1421

collo struttura				collo cesta			
Pz	L	P	H	Pz	L	P	H
1	215	152	39	1	154	78	84
	84 ⁵ / ₈	59 ⁷ / ₈	15 ³ / ₈		60 ⁵ / ₈	30 ³ / ₄	33 ¹ / ₈
m ³ 1,275 - Kg 42,7 tot.				m ³ 1,009 - Kg 32,4 tot.			
Kg 32,0 net				Kg 26,4 net			
				18,0 + 8,4 cusc.			

[Cuscini compresi -Cushions included]

schema di montaggio assembly scheme	I1421
telo copertura cover	9471C

STRUTTURA
STRUCTURE



INTRECCIO
WEAVING



1422

Altalena sospesa
Swing nest



Set corde [2 x 4 metri] con redance incluso. (vedi schema montaggio)
Ferramenta di fissaggio parte alta non fornita. (see assembly scheme)
Anchoring system not included.

Altalena sospesa con corde, cuscino seduta e 2 cuscini schienale inclusi
Swing nest with ropes, seat and 2 back cushions included
2 pz - art. 2734 (55x75)



TEST	ART.	Resistenza a corrosione redance acciaio aisi 304 NSS UNI EN ISO 9227:2017 TEST SUPERATO - NESSUN DIFETTO
cer	1422	Steel redance corrosion resistance NSS UNI EN ISO 9227:2017 TEST PASSED - NO DEFECT

1422

Pz	L	P	H
1	154	78	84
	60 ⁵ / ₈	30 ³ / ₄	33 ¹ / ₈
m ³ 1,009 - Kg 34,4 tot.			
Kg 28,4 net			
20,0 + 8,4 cusc.			

schema di montaggio assembly scheme	I1422
--	-------



STRUTTURA
STRUCTURE



INTRECCIO
WEAVING



STRUCTURAL COMPONENTS

NEST WITH POWDER COATED ALUMINIUM FRAME AND SYNTHETIC FIBER WEAVING. FEET IN POLYPROPYLENE.

SEAT: QUICK DRY POLYURETHANE PADDING IN SEVERAL DENSITIES + RESIN POLYESTER FIBER, WITH OUTSIDE TOP MESH IN POLYESTER AND OUTSIDE BOTTOM MESH IN POLYPROPYLENE. REMOVABLE CUSHION COVER.

BACK CUSHION: 100% SPIRAL SILICON POLYESTER FIBER PADDING WITH OUTSIDE MESH IN POLYPROPYLENE. REMOVABLE CUSHION COVER.

CHARACTERISTICS OF THE MATERIALS

CHARACTERISTICS OF THE MATERIALS AND FABRICS ARE DESCRIBED IN THE WEBSITE www.varaschin.it FOLDER "MATERIALS" AND YOU CAN DOWNLOAD FROM FOLDER "DOWNLOAD-MATERIALS".

INSTRUCTIONS FOR USING THE PRODUCT PROPERLY AND SAFELY

VARASCHIN IS NOT LIABLE FOR DAMAGE CAUSED BY IMPROPER USE. THE SAME APPLIES TO DAMAGE DERIVING FROM USE IN EXTREME WEATHER CONDITIONS OR LACK OF CARE. TIPS FOR EXTENDING LONGEVITY OF COMPONENTS: DURING THE WINTER STORE IN A DRY AND CLOSED PLACE TO AVOID CONDENSATION .

DO NOT STEP ON WITH FEET. DO NOT SWING BACK AND FORTH ON THE LEGS. DO NOT SIT ON THE BACK OR ON ARMS. DO NOT USE AS A LADDER. BUTTONS AND THE ZIPPERS OF CLOTHING MAY CAUSE DAMAGE TO THE MATERIALS. IF NECESSARY, PLEASE CONTACT VARASCHIN SPA.

GENERAL INSTRUCTIONS FOR MAINTENANCE AND CLEANING

FOR DAILY CLEANING USE A DRY COTTON CLOTH. FOR MORE THOROUGH CLEANING USE ONLY A NEUTRAL PRODUCT DILUTED IN WARM WATER. NEVER USE ALCOHOL, AMMONIUM, THINNERS OR ABRASIVE PRODUCTS. IN MARINE ENVIRONMENTS ARTICLE SHOULD BE WEEKLY WHASED WITH FRESH WATER.

FOR CLEANING AND TAKING CARE OF ALL MATERIALS AND FABRICS, SEE THE FOLDER "DOWNLOAD-MAINTENANCE" FROM OUR WEBSITE www.varaschin.it OR ASK FOR IT VIA E-MAIL AT customer@varaschin.it

GENERAL INFORMATION

N.B.: VARASCHIN SPA GUARANTEES THAT THE PRODUCT IS MADE OF QUALITY MATERIALS, USING THE BEST TECHNOLOGIES IN THE TRADE. THE COMPANY DECLINES ALL AND ANY LIABILITY FOR DAMAGE TO PERSONS AND/OR THINGS DUE TO IMPROPER USE OF THE PRODUCT. IF IN DOUBT PLEASE CONTACT THE MANUFACTURER.

DISPOSAL

PLEASE DO NOT JUST THROW OUT THE PIECE OF FURNITURE OR ANY PART OF IT. AT THE END OF ITS USE, PROVIDE FOR THE RECYCLING OR DISPOSAL OF THE COMPONENTS IN THE APPROPRIATE AREAS.

FIRE-FIGHTING MEASURES

ALTHOUGH THE PRODUCT IS NOT INFLAMMABLE, IT IS COMBUSTIBLE. THERE ARE NO RESTRICTIONS ON THE TYPES OF EXTINGUISHERS: POWDER, WATER, FOAM OR CO2. USE SUITABLE PROTECTION TO AVOID BREATHING IN FUMES. DURING DISPOSAL TAKE SPECIAL CARE TO PROTECT THE RESPIRATORY SYSTEM.

PRODUCT WARRANTY

REFER TO ARTICLE 3 "PRODUCT WARRANTY" PUBLISHED ON SALES CONDITIONS, DOCUMENTS OF SALE, WEBSITE www.varaschin.it

TECHNICAL INFO SHEET: This product information sheet complies with Italian Legislative Decree No. 206 of 6 September 2005, "Consumer Code".

The information given above refers to the latest data published in the price list. The company reserves the right to alter the models without notice.

COMPANY WITH SYSTEM MANAGEMENT QUALITY CERTIFIED UNI EN ISO 9001: 2015



TIBIDABO

Design CALVI BRAMBILLA

Collection in powder coated aluminum frame and hand woven man-made fibre. Cushions in "Dryfeel" outdoor foam.

<p>1423 sgabello alto High bar stool</p> <p>cuscino seduta incluso seat cushion included</p>	<p>1424 sgabello basso Low bar stool</p> <p>cuscino seduta incluso seat cushion included</p>	<p>STRUTTURA STRUCTURE</p> <p>Grigio Seta Silk Grey</p> <p>Bronzo Metal Metal Bronze</p> <p>Grigio Grey</p> <p>INTRACCIO WEAVING</p> <p>Cordino PERLA Rope</p> <p>Cordino VARITEX Rope BRONZO</p> <p>Cordino GREY Rope BROWN</p>	<table border="1"> <thead> <tr> <th>Pz</th> <th>L</th> <th>P</th> <th>H</th> </tr> </thead> <tbody> <tr> <td rowspan="2">1</td> <td>57,5</td> <td>61</td> <td>115</td> </tr> <tr> <td>22⁵/₈</td> <td>24</td> <td>45¹/₄</td> </tr> </tbody> </table> <p>m³ 0,403 - Kg 10,3 tot.</p> <p>Kg 6,75 net 6,5 + 0,25 cusc.</p> <p>Cuscino compresso Cushion included</p>	Pz	L	P	H	1	57,5	61	115	22 ⁵ / ₈	24	45 ¹ / ₄
Pz	L	P	H											
1	57,5	61	115											
	22 ⁵ / ₈	24	45 ¹ / ₄											
<p>MODELLO REGISTRATO REGISTERED MODEL</p>		<p>istruzioni d'uso using instruction</p> <p>IGSED</p>	<p>telo copertura cover</p> <p>9417C</p>											

STRUCTURAL COMPONENTS

DAYBED WITH POWDER COATED ALUMINIUM FRAME AND SYNTHETIC FIBER WEAVING. FEET IN POLYPROPYLENE.

SEAT: QUICK DRY POLYURETHANE PADDING IN SEVERAL DENSITIES + RESIN POLYESTER FIBER, WITH OUTSIDE TOP MESH IN POLYESTER AND OUTSIDE BOTTOM MESH IN POLYPROPYLENE. REMOVABLE CUSHION COVER.

CHARACTERISTICS OF THE MATERIALS

CHARACTERISTICS OF THE MATERIALS AND FABRICS ARE DESCRIBED IN THE WEBSITE www.varaschin.it FOLDER "MATERIALS" AND YOU CAN DOWNLOAD FROM FOLDER "DOWLOAD-MATERIALS".

INSTRUCTIONS FOR USING THE PRODUCT PROPERLY AND SAFELY

VARASCHIN IS NOT LIABLE FOR DAMAGE CAUSED BY IMPROPER USE. THE SAME APPLIES TO DAMAGE DERIVING FROM USE IN EXTREME WEATHER CONDITIONS OR LACK OF CARE. TIPS FOR EXTENDING LONGEVITY OF COMPONENTS: DURING THE WINTER STORE IN A DRY AND CLOSED PLACE TO AVOID CONDENSATION . DO NOT STEP ON WITH FEET. DO NOT SWING BACK AND FORTH ON THE LEGS. DO NOT SIT ON THE BACK OR ON ARMS. DO NOT USE AS A LADDER. BUTTONS AND THE ZIPPERS OF CLOTHING MAY CAUSE DAMAGE TO THE MATERIALS. IF NECESSARY, PLEASE CONTACT VARASCHIN SPA.

GENERAL INSTRUCTIONS FOR MAINTENANCE AND CLEANING

FOR DAILY CLEANING USE A DRY COTTON CLOTH. FOR MORE THOROUGH CLEANING USE ONLY A NEUTRAL PRODUCT DILUTED IN WARM WATER. NEVER USE ALCOHOL, AMMONIUM, THINNERS OR ABRASIVE PRODUCTS. IN MARINE ENVIRONMENTS ARTICLE SHOULD BE WEEKLY WHASED WITH FRESH WATER. FOR CLEANING AND TAKING CARE OF ALL MATERIALS AND FABRICS, SEE THE FOLDER "DOWNLOAD-MAINTENANCE" FROM OUR WEBSITE www.varaschin.it OR ASK FOR IT VIA E-MAIL AT customer-care@varaschin.it

GENERAL INFORMATION

N.B.: VARASCHIN SPA GUARANTEES THAT THE PRODUCT IS MADE OF QUALITY MATERIALS, USING THE BEST TECHNOLOGIES IN THE TRADE. THE COMPANY DECLINES ALL AND ANY LIABILITY FOR DAMAGE TO PERSONS AND/OR THINGS DUE TO IMPROPER USE OF THE PRODUCT. IF IN DOUBT PLEASE CONTACT THE MANUFACTURER.

DISPOSAL

PLEASE DO NOT JUST THROW OUT THE PIECE OF FURNITURE OR ANY PART OF IT. AT THE END OF ITS USE, PROVIDE FOR THE RECYCLING OR DISPOSAL OF THE COMPONENTS IN THE APPROPRIATE AREAS.

FIRE-FIGHTING MEASURES

ALTHOUGH THE PRODUCT IS NOT INFLAMMABLE, IT IS COMBUSTIBLE. THERE ARE NO RESTRICTIONS ON THE TYPES OF EXTINGUISHERS: POWDER, WATER, FOAM OR CO2. USE SUITABLE PROTECTION TO AVOID BREATHING IN FUMES. DURING DISPOSAL TAKE SPECIAL CARE TO PROTECT THE RESPIRATORY SYSTEM.

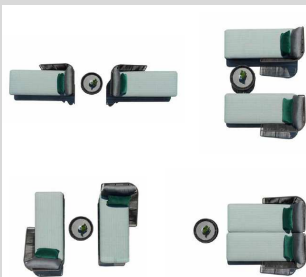
PRODUCT WARRANTY

REFER TO ARTICLE 3 "PRODUCT WARRANTY" PUBLISHED ON SALES CONDITIONS, DOCUMENTS OF SALE, WEBSITE www.varaschin.it

TECHNICAL INFO SHEET: This product information sheet complies with Italian Legislative Decree No. 206 of 6 September 2005, "Consumer Code".

The information given above refers to the latest data published in the price list. The company reserves the right to alter the models without notice.








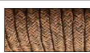


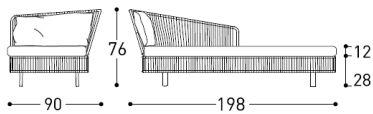
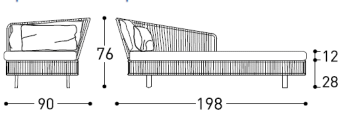
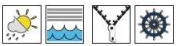

COMPANY WITH SYSTEM MANAGEMENT QUALITY CERTIFIED **UNI EN ISO 9001: 2015**



TIBIDABO

Design CALVI BRAMBILLA

Collection in powder coated aluminum frame and hand woven man-made fibre. Cushions in "Dryfeel" outdoor foam.

STRUTTURA STRUCTURE		INTRECCIO WEAVING			<table border="1"> <thead> <tr> <th>Pz</th> <th>L</th> <th>P</th> <th>H</th> </tr> </thead> <tbody> <tr> <td>1</td> <td>202</td> <td>92</td> <td>69</td> </tr> <tr> <td></td> <td>79 1/2</td> <td>36 1/4</td> <td>27 1/8</td> </tr> </tbody> </table>	Pz	L	P	H	1	202	92	69		79 1/2	36 1/4	27 1/8		<table border="1"> <thead> <tr> <th>Pz</th> <th>L</th> <th>P</th> <th>H</th> </tr> </thead> <tbody> <tr> <td>1</td> <td>202</td> <td>92</td> <td>69</td> </tr> <tr> <td></td> <td>79 1/2</td> <td>36 1/4</td> <td>27 1/8</td> </tr> </tbody> </table>	Pz	L	P	H	1	202	92	69		79 1/2	36 1/4	27 1/8
Pz	L	P	H																												
1	202	92	69																												
	79 1/2	36 1/4	27 1/8																												
Pz	L	P	H																												
1	202	92	69																												
	79 1/2	36 1/4	27 1/8																												
 Grigio Seta Silk Grey		 Cordino PERLA Rope		m³ 1,282 - Kg 42,0 tot. Kg 34,0 net 22,0 + 12,0 cusc.	Cuscini compresi Cushions included																										
 Bronzo Metal Metal Bronze		 Cordino VARWTEX BRONZO Rope						m³ 1,282 - Kg 44,7 tot. Kg 36,7 net 22,0 + 14,7 cusc.	Cuscini compresi Cushions included																						
 Grigio Grey		 Cordino GREY BROWN Rope		1430 Dormeuse destra base Base Right Dormeuse 1431 Dormeuse sinistra base Base left Dormeuse	1430A Dormeuse destra CONFORT CONFORT Right Dormeuse 1431A Dormeuse sinistra CONFORT CONFORT left Dormeuse																										
istruzioni d'uso using instruction		IGSED				cuscinò seduta e 1 cuscinò schienale incluso seat and 1 back cushion included 1 pz - 75x45	cuscinò seduta e 2 cuscinò schienale inclusi seat and 2 back cushions included 1 pz - 75x45 1 pz - art. 2717 (60x35)																								
telo copertura cover		9460C																													
						MUNITO DI 2 PIEDINI CON RUOTE 2 FEET WITH WHEELS																									

STRUCTURAL COMPONENTS

DORMEUSE WITH POWDER COATED ALUMINIUM FRAME AND SYNTHETIC FIBER WEAVING. FEET IN POLYPROPYLENE.
SEAT: QUICK DRY POLYURETHANE PADDING IN SEVERAL DENSITIES + RESIN POLYESTER FIBER, WITH OUTSIDE TOP MESH IN POLYESTER AND OUTSIDE BOTTOM MESH IN POLYPROPYLENE. REMOVABLE CUSHION COVER.
BACK CUSHION: 100% SPIRAL SILICON POLYESTER FIBER PADDING WITH OUTSIDE MESH IN POLYPROPYLENE. REMOVABLE CUSHION COVER.

CHARACTERISTICS OF THE MATERIALS

CHARACTERISTICS OF THE MATERIALS AND FABRICS ARE DESCRIBED IN THE WEBSITE www.varaschin.it FOLDER "MATERIALS" AND YOU CAN DOWNLOAD FROM FOLDER "DOWLOAD-MATERIALS".

INSTRUCTIONS FOR USING THE PRODUCT PROPERLY AND SAFELY

VARASCHIN IS NOT LIABLE FOR DAMAGE CAUSED BY IMPROPER USE. THE SAME APPLIES TO DAMAGE DERIVING FROM USE IN EXTREME WEATHER CONDITIONS OR LACK OF CARE. TIPS FOR EXTENDING LONGEVITY OF COMPONENTS: DURING THE WINTER STORE IN A DRY AND CLOSED PLACE TO AVOID CONDENSATION . DO NOT STEP ON WITH FEET. DO NOT SWING BACK AND FORTH ON THE LEGS. DO NOT SIT ON THE BACK OR ON ARMS. DO NOT USE AS A LADDER. BUTTONS AND THE ZIPPERS OF CLOTHING MAY CAUSE DAMAGE TO THE MATERIALS. IF NECESSARY, PLEASE CONTACT VARASCHIN SPA.

GENERAL INSTRUCTIONS FOR MAINTENANCE AND CLEANING

FOR DAILY CLEANING USE A DRY COTTON CLOTH. FOR MORE THOROUGH CLEANING USE ONLY A NEUTRAL PRODUCT DILUTED IN WARM WATER. NEVER USE ALCOHOL, AMMONIUM, THINNERS OR ABRASIVE PRODUCTS. IN MARINE ENVIRONMENTS ARTICLE SHOULD BE WEEKLY WHASED WITH FRESH WATER. FOR CLEANING AND TAKING CARE OF ALL MATERIALS AND FABRICS, SEE THE FOLDER "DOWNLOAD-MAINTENANCE" FROM OUR WEBSITE www.varaschin.it OR ASK FOR IT VIA E-MAIL AT customercare@varaschin.it

GENERAL INFORMATION

N.B.: VARASCHIN SPA GUARANTEES THAT THE PRODUCT IS MADE OF QUALITY MATERIALS, USING THE BEST TECHNOLOGIES IN THE TRADE. THE COMPANY DECLINES ALL AND ANY LIABILITY FOR DAMAGE TO PERSONS AND/OR THINGS DUE TO IMPROPER USE OF THE PRODUCT. IF IN DOUBT PLEASE CONTACT THE MANUFACTURER.

DISPOSAL

PLEASE DO NOT JUST THROW OUT THE PIECE OF FURNITURE OR ANY PART OF IT. AT THE END OF ITS USE, PROVIDE FOR THE RECYCLING OR DISPOSAL OF THE COMPONENTS IN THE APPROPRIATE AREAS.

FIRE-FIGHTING MEASURES

ALTHOUGH THE PRODUCT IS NOT INFLAMMABLE, IT IS COMBUSTIBLE. THERE ARE NO RESTRICTIONS ON THE TYPES OF EXTINGUISHERS: POWDER, WATER, FOAM OR CO2. USE SUITABLE PROTECTION TO AVOID BREATHING IN FUMES. DURING DISPOSAL TAKE SPECIAL CARE TO PROTECT THE RESPIRATORY SYSTEM.

PRODUCT WARRANTY

REFER TO ARTICLE 3 "PRODUCT WARRANTY" PUBLISHED ON SALES CONDITIONS, DOCUMENTS OF SALE, WEBSITE www.varaschin.it

TECHNICAL INFO SHEET: This product information sheet complies with Italian Legislative Decree No. 206 of 6 September 2005, "Consumer Code".

The information given above refers to the latest data published in the price list. The company reserves the right to alter the models without notice.








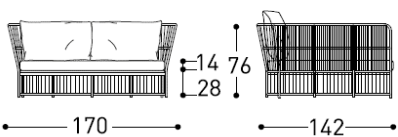

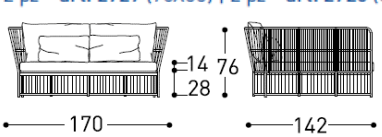
COMPANY WITH SYSTEM MANAGEMENT QUALITY CERTIFIED **UNI EN ISO 9001: 2015**



TIBIDABO

Design CALVI BRAMBILLA

Collection in powder coated aluminum frame and hand woven man-made fibre. Cushions in "Dryfeel" outdoor foam.

STRUTTURA STRUCTURE  Grigio Seta Silk Grey  Bronzo Metal Metal Bronze  Grigio Grey	INTRECCIO WEAVING  Cordino PERLA Rope  Cordino VAR#TEX BRONZO Rope  Cordino GREY BROWN Rope	 1440 Daybed compact base Base Compact Daybed cuscino seduta e 2 cuscini schienale inclusi seat and 2 back cushions included 2 pz - art. 2729 (70X55) 	<table border="1"> <thead> <tr> <th>Pz</th> <th>L</th> <th>P</th> <th>H</th> </tr> </thead> <tbody> <tr> <td>1</td> <td>172</td> <td>144</td> <td>80</td> </tr> <tr> <td></td> <td>67 ³/₄</td> <td>56 ³/₄</td> <td>31 ¹/₂</td> </tr> </tbody> </table> <p>m³ 1,981 - Kg 56,4 tot. Kg 45,9 net 28,5 + 17,4 cusc.</p> Cuscini compresi Cushions included	Pz	L	P	H	1	172	144	80		67 ³ / ₄	56 ³ / ₄	31 ¹ / ₂	 1440A Daybed compact CONFORT CONFORT Compact Daybed cuscino seduta e 4 cuscini schienale inclusi seat and 4 back cushions included 2 pz - art. 2729 (70X55) 2 pz - art. 2726 (60X40) 	<table border="1"> <thead> <tr> <th>Pz</th> <th>L</th> <th>P</th> <th>H</th> </tr> </thead> <tbody> <tr> <td>1</td> <td>172</td> <td>144</td> <td>80</td> </tr> <tr> <td></td> <td>67 ³/₄</td> <td>56 ³/₄</td> <td>31 ¹/₂</td> </tr> </tbody> </table> <p>m³ 1,981 - Kg 57,8 tot. Kg 47,3 net 28,5 + 18,8 cusc.</p> Cuscini compresi Cushions included	Pz	L	P	H	1	172	144	80		67 ³ / ₄	56 ³ / ₄	31 ¹ / ₂
Pz	L	P	H																										
1	172	144	80																										
	67 ³ / ₄	56 ³ / ₄	31 ¹ / ₂																										
Pz	L	P	H																										
1	172	144	80																										
	67 ³ / ₄	56 ³ / ₄	31 ¹ / ₂																										

STRUCTURAL COMPONENTS

COMPACT DAYBED WITH POWDER COATED ALUMINIUM FRAME AND SYNTHETIC FIBER WEAVING. FEET IN POLYPROPYLENE.

SEAT: QUICK DRY POLYURETHANE PADDING IN SEVERAL DENSITIES + RESIN POLYESTER FIBER, WITH OUTSIDE TOP MESH IN POLYESTER AND OUTSIDE BOTTOM MESH IN POLYPROPYLENE. REMOVABLE CUSHION COVER.

BACK CUSHION: 100% SPIRAL SILICON POLYESTER FIBER PADDING WITH OUTSIDE MESH IN POLYPROPYLENE. REMOVABLE CUSHION COVER.

CHARACTERISTICS OF THE MATERIALS

CHARACTERISTICS OF THE MATERIALS AND FABRICS ARE DESCRIBED IN THE WEBSITE www.varaschin.it FOLDER "MATERIALS" AND YOU CAN DOWNLOAD FROM FOLDER "DOWLOAD-MATERIALS".

INSTRUCTIONS FOR USING THE PRODUCT PROPERLY AND SAFELY

VARASCHIN IS NOT LIABLE FOR DAMAGE CAUSED BY IMPROPER USE. THE SAME APPLIES TO DAMAGE DERIVING FROM USE IN EXTREME WEATHER CONDITIONS OR LACK OF CARE. TIPS FOR EXTENDING LONGEVITY OF COMPONENTS: DURING THE WINTER STORE IN A DRY AND CLOSED PLACE TO AVOID CONDENSATION .

DO NOT STEP ON WITH FEET. DO NOT SWING BACK AND FORTH ON THE LEGS. DO NOT SIT ON THE BACK OR ON ARMS. DO NOT USE AS A LADDER. BUTTONS AND THE ZIPPERS OF CLOTHING MAY CAUSE DAMAGE TO THE MATERIALS. IF NECESSARY, PLEASE CONTACT VARASCHIN SPA.

GENERAL INSTRUCTIONS FOR MAINTENANCE AND CLEANING

FOR DAILY CLEANING USE A DRY COTTON CLOTH. FOR MORE THOROUGH CLEANING USE ONLY A NEUTRAL PRODUCT DILUTED IN WARM WATER. NEVER USE ALCOHOL, AMMONIUM, THINNERS OR ABRASIVE PRODUCTS. IN MARINE ENVIRONMENTS ARTICLE SHOULD BE WEEKLY WHASED WITH FRESH WATER.

FOR CLEANING AND TAKING CARE OF ALL MATERIALS AND FABRICS, SEE THE FOLDER "DOWNLOAD-MAINTENANCE" FROM OUR WEBSITE www.varaschin.it OR ASK FOR IT VIA E-MAIL AT customercare@varaschin.it

GENERAL INFORMATION

N.B.: VARASCHIN SPA GUARANTEES THAT THE PRODUCT IS MADE OF QUALITY MATERIALS, USING THE BEST TECHNOLOGIES IN THE TRADE. THE COMPANY DECLINES ALL AND ANY LIABILITY FOR DAMAGE TO PERSONS AND/OR THINGS DUE TO IMPROPER USE OF THE PRODUCT. IF IN DOUBT PLEASE CONTACT THE MANUFACTURER.

DISPOSAL

PLEASE DO NOT JUST THROW OUT THE PIECE OF FURNITURE OR ANY PART OF IT. AT THE END OF ITS USE, PROVIDE FOR THE RECYCLING OR DISPOSAL OF THE COMPONENTS IN THE APPROPRIATE AREAS.

FIRE-FIGHTING MEASURES

ALTHOUGH THE PRODUCT IS NOT INFLAMMABLE, IT IS COMBUSTIBLE. THERE ARE NO RESTRICTIONS ON THE TYPES OF EXTINGUISHERS: POWDER, WATER, FOAM OR CO2. USE SUITABLE PROTECTION TO AVOID BREATHING IN FUMES. DURING DISPOSAL TAKE SPECIAL CARE TO PROTECT THE RESPIRATORY SYSTEM.

PRODUCT WARRANTY

REFER TO ARTICLE 3 "PRODUCT WARRANTY" PUBLISHED ON SALES CONDITIONS, DOCUMENTS OF SALE, WEBSITE www.varaschin.it

TECHNICAL INFO SHEET: This product information sheet complies with Italian Legislative Decree No. 206 of 6 September 2005, "Consumer Code".

The information given above refers to the latest data published in the price list. The company reserves the right to alter the models without notice.


COMPANY WITH SYSTEM MANAGEMENT QUALITY CERTIFIED **UNI EN ISO 9001: 2015**



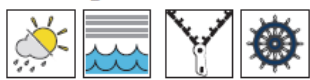
TIBIDABO

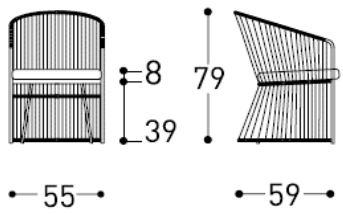
Design CALVI BRAMBILLA

Collection in powder coated aluminum frame and hand woven man-made fibre. Cushions in "Dryfeel" outdoor foam.




2982
Poltroncina
Dining armchair







cuscino seduta incluso
seat cushion included



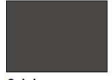
STRUTTURA
STRUCTURE



Grigio Seta
Silk Grey




Bronzo Metal
Metal Bronze




Grigio
Grey


INTRECCIO
WEAVING



Cordino PERLA
Rope



Cordino VAR#TEX
Rope BRONZO



Cordino GREY
Rope BROWN

Pz	L	P	H
1	57	62	84
	22 1/2	24 3/8	33 1/8

m³ 0,297 - Kg 11,0 tot.
Kg 8,6 net
7,6 + 1,0 cusc.

Cuscino compresso
Cushion included

istruzioni d'uso using instruction	IGSED
telo copertura cover	9467C

STRUCTURAL COMPONENTS

DINING ARMCHAIR WITH POWDER COATED ALUMINIUM FRAME AND SYNTHETIC FIBER WEAVING. FEET IN POLYPROPYLENE.

SEAT: QUICK DRY POLYURETHANE PADDING IN SEVERAL DENSITIES + RESIN POLYESTER FIBER, WITH OUTSIDE TOP MESH IN POLYESTER AND OUTSIDE BOTTOM MESH IN POLYPROPYLENE. REMOVABLE CUSHION COVER.

CHARACTERISTICS OF THE MATERIALS

CHARACTERISTICS OF THE MATERIALS AND FABRICS ARE DESCRIBED IN THE WEBSITE www.varaschin.it FOLDER "MATERIALS" AND YOU CAN DOWNLOAD FROM FOLDER "DOWLOAD-MATERIALS".

INSTRUCTIONS FOR USING THE PRODUCT PROPERLY AND SAFELY

VARASCHIN IS NOT LIABLE FOR DAMAGE CAUSED BY IMPROPER USE. THE SAME APPLIES TO DAMAGE DERIVING FROM USE IN EXTREME WEATHER CONDITIONS OR LACK OF CARE. TIPS FOR EXTENDING LONGEVITY OF COMPONENTS: DURING THE WINTER STORE IN A DRY AND CLOSED PLACE TO AVOID CONDENSATION .

DO NOT STEP ON WITH FEET. DO NOT SWING BACK AND FORTH ON THE LEGS. DO NOT SIT ON THE BACK OR ON ARMS. DO NOT USE AS A LADDER. BUTTONS AND THE ZIPPERS OF CLOTHING MAY CAUSE DAMAGE TO THE MATERIALS. IF NECESSARY, PLEASE CONTACT VARASCHIN SPA.

GENERAL INSTRUCTIONS FOR MAINTENANCE AND CLEANING

FOR DAILY CLEANING USE A DRY COTTON CLOTH. FOR MORE THOROUGH CLEANING USE ONLY A NEUTRAL PRODUCT DILUTED IN WARM WATER. NEVER USE ALCOHOL, AMMONIUM, THINNERS OR ABRASIVE PRODUCTS. IN MARINE ENVIRONMENTS ARTICLE SHOULD BE WEEKLY WHASED WITH FRESH WATER.

FOR CLEANING AND TAKING CARE OF ALL MATERIALS AND FABRICS, SEE THE FOLDER "DOWNLOAD-MAINTENANCE" FROM OUR WEBSITE www.varaschin.it OR ASK FOR IT VIA E-MAIL AT customercare@varaschin.it

GENERAL INFORMATION

N.B.: VARASCHIN SPA GUARANTEES THAT THE PRODUCT IS MADE OF QUALITY MATERIALS, USING THE BEST TECHNOLOGIES IN THE TRADE. THE COMPANY DECLINES ALL AND ANY LIABILITY FOR DAMAGE TO PERSONS AND/OR THINGS DUE TO IMPROPER USE OF THE PRODUCT. IF IN DOUBT PLEASE CONTACT THE MANUFACTURER.

DISPOSAL

PLEASE DO NOT JUST THROW OUT THE PIECE OF FURNITURE OR ANY PART OF IT. AT THE END OF ITS USE, PROVIDE FOR THE RECYCLING OR DISPOSAL OF THE COMPONENTS IN THE APPROPRIATE AREAS.

FIRE-FIGHTING MEASURES

ALTHOUGH THE PRODUCT IS NOT INFLAMMABLE, IT IS COMBUSTIBLE. THERE ARE NO RESTRICTIONS ON THE TYPES OF EXTINGUISHERS: POWDER, WATER, FOAM OR CO2. USE SUITABLE PROTECTION TO AVOID BREATHING IN FUMES. DURING DISPOSAL TAKE SPECIAL CARE TO PROTECT THE RESPIRATORY SYSTEM.

PRODUCT WARRANTY

REFER TO ARTICLE 3 "PRODUCT WARRANTY" PUBLISHED ON SALES CONDITIONS, DOCUMENTS OF SALE, WEBSITE www.varaschin.it

TECHNICAL INFO SHEET: This product information sheet complies with Italian Legislative Decree No. 206 of 6 September 2005, "Consumer Code".

The information given above refers to the latest data published in the price list. The company reserves the right to alter the models without notice.

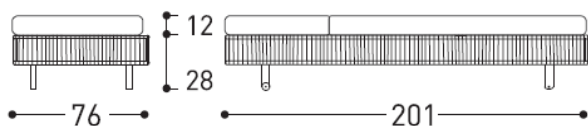
COMPANY WITH SYSTEM MANAGEMENT QUALITY CERTIFIED **UNI EN ISO 9001: 2015**



TIBIDABO

Design CALVI BRAMBILLA

Collection in powder coated aluminum frame and hand woven man-made fibre. Cushions in "Dryfeel" outdoor foam.



2985

**Letto
Sunlounger**



**cuscino seduta incluso
seat cushion included**



**MUNITO DI 2 PIEDINI CON RUOTE
2 FEET WITH WHEELS**

STRUTTURA STRUCTURE



Grigio Seta
Silk Grey



Bronzo Metal
Metal Bronze



Grigio
Grey

INTRECCIO WEAVING



Cordino PERLA
Rope



Cordino VAR#TEX BRONZO
Rope



Cordino GREY BROWN
Rope

Pz	L	P	H
1	81	205	34
	31 ⁷ / ₈	80 ³ / ₄	13 ³ / ₈
m³	0,565 - Kg 33,0 tot.		
Kg	27,0 net 21,0 + 6,0 cusc.		

istruzioni d'uso using instruction	IGSED
telo copertura cover	9401C

STRUCTURAL COMPONENTS

SUNLOUNGER WITH POWDER COATED ALUMINIUM FRAME AND SYNTHETIC FIBER WEAVING. FEET IN POLYPROPYLENE. QUICK DRY POLYURETHANE PADDING IN SEVERAL DENSITIES + HEATBOUND POLYESTER FIBER, WITH OUTSIDE TOP MESH IN POLYESTER AND OUTSIDE BOTTOM MESH IN POLYPROPYLENE. REMOVABLE CUSHION COVER.

CHARACTERISTICS OF THE MATERIALS

CHARACTERISTICS OF THE MATERIALS AND FABRICS ARE DESCRIBED IN THE WEBSITE www.varaschin.it FOLDER "MATERIALS" AND YOU CAN DOWNLOAD FROM FOLDER "DOWLOAD-MATERIALS".

INSTRUCTIONS FOR USING THE PRODUCT PROPERLY AND SAFELY

VARASCHIN IS NOT LIABLE FOR DAMAGE CAUSED BY IMPROPER USE. THE SAME APPLIES TO DAMAGE DERIVING FROM USE IN EXTREME WEATHER CONDITIONS OR LACK OF CARE. TIPS FOR EXTENDING LONGEVITY OF COMPONENTS: DURING THE WINTER STORE IN A DRY AND CLOSED PLACE TO AVOID CONDENSATION . DO NOT STEP ON WITH FEET. DO NOT SWING BACK AND FORTH ON THE LEGS. DO NOT SIT ON THE BACK OR ON ARMS. DO NOT USE AS A LADDER. BUTTONS AND THE ZIPPERS OF CLOTHING MAY CAUSE DAMAGE TO THE MATERIALS. IF NECESSARY, PLEASE CONTACT VARASCHIN SPA.

GENERAL INSTRUCTIONS FOR MAINTENANCE AND CLEANING

FOR DAILY CLEANING USE A DRY COTTON CLOTH. FOR MORE THOROUGH CLEANING USE ONLY A NEUTRAL PRODUCT DILUTED IN WARM WATER. NEVER USE ALCOHOL, AMMONIUM, THINNERS OR ABRASIVE PRODUCTS. IN MARINE ENVIRONMENTS ARTICLE SHOULD BE WEEKLY WHASED WITH FRESH WATER. FOR CLEANING AND TAKING CARE OF ALL MATERIALS AND FABRICS, SEE THE FOLDER "DOWNLOAD-MAINTENANCE" FROM OUR WEBSITE www.varaschin.it OR ASK FOR IT VIA E-MAIL AT customercare@varaschin.it

GENERAL INFORMATION

N.B.: VARASCHIN SPA GUARANTEES THAT THE PRODUCT IS MADE OF QUALITY MATERIALS, USING THE BEST TECHNOLOGIES IN THE TRADE. THE COMPANY DECLINES ALL AND ANY LIABILITY FOR DAMAGE TO PERSONS AND/OR THINGS DUE TO IMPROPER USE OF THE PRODUCT. IF IN DOUBT PLEASE CONTACT THE MANUFACTURER.

DISPOSAL

PLEASE DO NOT JUST THROW OUT THE PIECE OF FURNITURE OR ANY PART OF IT. AT THE END OF ITS USE, PROVIDE FOR THE RECYCLING OR DISPOSAL OF THE COMPONENTS IN THE APPROPRIATE AREAS.

FIRE-FIGHTING MEASURES

ALTHOUGH THE PRODUCT IS NOT INFLAMMABLE, IT IS COMBUSTIBLE. THERE ARE NO RESTRICTIONS ON THE TYPES OF EXTINGUISHERS: POWDER, WATER, FOAM OR CO2. USE SUITABLE PROTECTION TO AVOID BREATHING IN FUMES. DURING DISPOSAL TAKE SPECIAL CARE TO PROTECT THE RESPIRATORY SYSTEM.

PRODUCT WARRANTY

REFER TO ARTICLE 3 "PRODUCT WARRANTY" PUBLISHED ON SALES CONDITIONS, DOCUMENTS OF SALE, WEBSITE www.varaschin.it

TECHNICAL INFO SHEET: This product information sheet complies with Italian Legislative Decree No. 206 of 6 September 2005, "Consumer Code". The information given above refers to the latest data published in the price list. The company reserves the right to alter the models without notice.


COMPANY WITH SYSTEM MANAGEMENT QUALITY CERTIFIED UNI EN ISO 9001: 2015



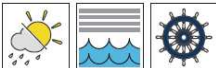
LOOP

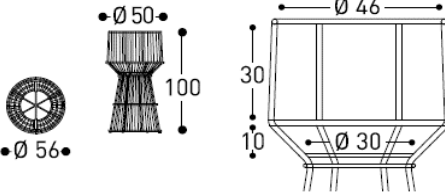
Design NIGEL COATES

Woven synthetic fiber flower pot with varnished alluminium supporting structure.



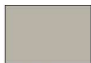





fioriera
Flower pot





4708

STRUTTURA
STRUCTURE

Pz	L	P	H
1	59	59	103
	23 1/4	23 1/4	40 1/2

m² 0,359 - Kg 12,0 tot.
Kg 9,5 net

telo copertura cover	9417C
-------------------------	-------

STRUCTURAL COMPONENTS

FLOWER BOX WITH ALUMINIUM STRUCTURE VARNISHED WITH TIGER POWDER. ROUND PVC WICKER WITH POLYESTER REINFORCEMENT INSIDE. POLYPROPYLENE F CAP SAME COLOUR OF FRAME.

CHARACTERISTICS OF THE MATERIALS

CHARACTERISTICS OF THE MATERIALS AND FABRICS ARE DESCRIBED IN THE WEBSITE www.varaschin.it FOLDER "MATERIALS" AND YOU CAN DOWNLOAD FOLDER "DOWLOAD-MATERIALS".

INSTRUCTIONS FOR USING THE PRODUCT PROPERLY AND SAFELY

VARASCHIN IS NOT LIABLE FOR DAMAGE CAUSED BY IMPROPER USE. THE SAME APPLIES TO DAMAGE DERIVING FROM USE IN EXTREME WEATHER CONDITIONS OR L OF CARE. TIPS FOR EXTENDING LONGEVITY OF COMPONENTS: DURING THE WINTER STORE IN A DRY AND CLOSED PLACE TO AVOID CONDENSATION . DO NOT STEP ON WITH FEET. DO NOT SWING BACK AND FORTH ON THE LEGS. DO NOT SIT. BUTTONS AND THE ZIPPERS OF CLOTHING MAY CAUSE DAMAGE TO MATERIALS. IF NECESSARY, PLEASE CONTACT VARASCHIN SPA.

GENERAL INSTRUCTIONS FOR MAINTENANCE AND CLEANING

FOR DAILY CLEANING USE A DRY COTTON CLOTH. FOR MORE THOROUGH CLEANING USE ONLY A NEUTRAL PRODUCT DILUTED IN WARM WATER. NEVER USE ALCOI AMMONIUM, THINNERS OR ABRASIVE PRODUCTS. IN MARINE ENVIRONMENTS ARTICLE SHOULD BE WEEKLY WHASED WITH FRESH WATER. FOR CLEANING AND TAKING CARE OF ALL MATERIALS AND FABRICS, SEE THE FOLDER "DOWNLOAD-MAINTENANCE" FROM OUR WEBSITE www.varaschin.it OR ASK IT VIA E-MAIL AT customer-care@varaschin.it

GENERAL INFORMATION

N.B.: VARASCHIN SPA GUARANTEES THAT THE PRODUCT IS MADE OF QUALITY MATERIALS, USING THE BEST TECHNOLOGIES IN THE TRADE. THE COMPANY DECLI ALL AND ANY LIABILITY FOR DAMAGE TO PERSONS AND/OR THINGS DUE TO IMPROPER USE OF THE PRODUCT. IF IN DOUBT PLEASE CONTACT THE MANUFACTURER.

DISPOSAL

PLEASE DO NOT JUST THROW OUT THE PIECE OF FURNITURE OR ANY PART OF IT. AT THE END OF ITS USE, PROVIDE FOR THE RECYCLING OR DISPOSAL OF COMPONENTS IN THE APPROPRIATE AREAS.

FIRE-FIGHTING MEASURES

ALTHOUGH THE PRODUCT IS NOT INFLAMMABLE, IT IS COMBUSTIBLE. THERE ARE NO RESTRICTIONS ON THE TYPES OF EXTINGUISHERS: POWDER, WATER, FOAM CO2. USE SUITABLE PROTECTION TO AVOID BREATHING IN FUMES. DURING DISPOSAL TAKE SPECIAL CARE TO PROTECT THE RESPIRATORY SYSTEM.

PRODUCT WARRANTY

REFER TO ARTICLE 3 "PRODUCT WARRANTY" PUBLISHED ON SALES CONDITIONS, DOCUMENTS OF SALE, WEBSITE www.varaschin.it

TECHNICAL INFO SHEET: This product information sheet complies with Italian Legislative Decree No. 206 of 6 September 2005, "Consumer Code

The information given above refers to the latest data published in the price list. The company reserves the right to alter the models without notice.

COMPANY WITH SYSTEM MANAGEMENT QUALITY CERTIFIED **UNI EN ISO 9001: 2015**



TIBIDABO

Design CALVI BRAMBILLA

Multipurpose basket with powder coated and hand woven aluminium frame. It can become a pouf with a padded seat or a coffee table with a hpl / ceramic top. Optional Outdoor Lighting.

 <p>Pouf POUF</p>  	 <p>14250</p>  <p>Outdoor Lighting opzionale Outdoor Lighting Optional</p>	<p>STRUTTURA STRUCTURE</p>  <p>Grigio Seta <i>Silk Grey</i></p>  <p>Bronzo Metal <i>Metal Bronze</i></p>  <p>Grigio <i>Grey</i></p>	<p>INTRECCIO WEAVING</p>  <p>Cordino PERLA <i>Rope</i></p>  <p>Cordino VAR#TEX <i>Rope BRONZO</i></p>  <p>Cordino GREY <i>Rope BROWN</i></p>	<table border="1"> <thead> <tr> <th>Pz</th> <th>L</th> <th>P</th> <th>H</th> </tr> </thead> <tbody> <tr> <td>1</td> <td>41</td> <td>41</td> <td>51</td> </tr> <tr> <td></td> <td>16 1/8</td> <td>16 1/8</td> <td>20 1/8</td> </tr> </tbody> </table> <p>m³ 0,086 - Kg 6,7 tot. Kg 5,5 net</p> <table border="1"> <tr> <td>istruzioni d'uso <i>using instruction</i></td> <td>IGSED</td> </tr> <tr> <td>telo copertura <i>cover</i></td> <td>9442C</td> </tr> </table>	Pz	L	P	H	1	41	41	51		16 1/8	16 1/8	20 1/8	istruzioni d'uso <i>using instruction</i>	IGSED	telo copertura <i>cover</i>	9442C
	Pz	L	P	H																
1	41	41	51																	
	16 1/8	16 1/8	20 1/8																	
istruzioni d'uso <i>using instruction</i>	IGSED																			
telo copertura <i>cover</i>	9442C																			
<p>STRUCTURAL COMPONENTS</p> <p>MULTI-PURPOSE BASKET WITH POWDER-COATED AND HAND-WOVEN ALUMINIUM FRAME. IT CAN BECOME A PLANTER WITH A POWDER COATED ALUMINIUM POT HOLDER, A POUF WITH A PADDED SEAT OR A COFFEE TABLE WITH AN HPL / CERAMIC TOP. OPTIONAL OUTDOOR LIGHTING.</p> <p>SEAT: QUICK DRY POLYURETHANE PADDING IN SEVERAL DENSITIES + RESIN POLYESTER FIBER, WITH OUTSIDE TOP MESH IN POLYESTER AND OUTSIDE BOTTOM MESH IN POLYPROPYLENE. REMOVABLE CUSHION COVER.</p>																				
<p>CHARACTERISTICS OF THE MATERIALS</p> <p>CHARACTERISTICS OF THE MATERIALS AND FABRICS ARE DESCRIBED IN THE WEBSITE www.varaschin.it FOLDER "MATERIALS" AND YOU CAN DOWNLOAD FROM FOLDER "DOWLOAD-MATERIALS".</p>																				
<p>INSTRUCTIONS FOR USING THE PRODUCT PROPERLY AND SAFELY</p> <p>VARASCHIN IS NOT LIABLE FOR DAMAGE CAUSED BY IMPROPER USE. THE SAME APPLIES TO DAMAGE DERIVING FROM USE IN EXTREME WEATHER CONDITIONS OR LACK OF CARE. TIPS FOR EXTENDING LONGEVITY OF COMPONENTS: DURING THE WINTER STORE IN A DRY AND CLOSED PLACE TO AVOID CONDENSATION . DO NOT STEP ON WITH FEET. DO NOT SWING BACK AND FORTH ON THE LEGS. DO NOT SIT ON THE BACK OR ON ARMS. DO NOT USE AS A LADDER. BUTTONS AND THE ZIPPERS OF CLOTHING MAY CAUSE DAMAGE TO THE MATERIALS. IF NECESSARY, PLEASE CONTACT VARASCHIN SPA.</p>																				
<p>GENERAL INSTRUCTIONS FOR MAINTENANCE AND CLEANING</p> <p>FOR DAILY CLEANING USE A DRY COTTON CLOTH. FOR MORE THOROUGH CLEANING USE ONLY A NEUTRAL PRODUCT DILUTED IN WARM WATER. NEVER USE ALCOHOL, AMMONIUM, THINNERS OR ABRASIVE PRODUCTS. IN MARINE ENVIRONMENTS ARTICLE SHOULD BE WEEKLY WHASED WITH FRESH WATER. FOR CLEANING AND TAKING CARE OF ALL MATERIALS AND FABRICS, SEE THE FOLDER "DOWNLOAD-MAINTENANCE" FROM OUR WEBSITE www.varaschin.it OR ASK FOR IT VIA E-MAIL AT customer-care@varaschin.it</p>																				
<p>GENERAL INFORMATION</p> <p>N.B.: VARASCHIN SPA GUARANTEES THAT THE PRODUCT IS MADE OF QUALITY MATERIALS, USING THE BEST TECHNOLOGIES IN THE TRADE. THE COMPANY DECLINES ALL AND ANY LIABILITY FOR DAMAGE TO PERSONS AND/OR THINGS DUE TO IMPROPER USE OF THE PRODUCT. IF IN DOUBT PLEASE CONTACT THE MANUFACTURER.</p>																				
<p>DISPOSAL</p> <p>PLEASE DO NOT JUST THROW OUT THE PIECE OF FURNITURE OR ANY PART OF IT. AT THE END OF ITS USE, PROVIDE FOR THE RECYCLING OR DISPOSAL OF THE COMPONENTS IN THE APPROPRIATE AREAS.</p>																				
<p>FIRE-FIGHTING MEASURES</p> <p>ALTHOUGH THE PRODUCT IS NOT INFLAMMABLE, IT IS COMBUSTIBLE. THERE ARE NO RESTRICTIONS ON THE TYPES OF EXTINGUISHERS: POWDER, WATER, FOAM OR CO2. USE SUITABLE PROTECTION TO AVOID BREATHING IN FUMES. DURING DISPOSAL TAKE SPECIAL CARE TO PROTECT THE RESPIRATORY SYSTEM.</p>																				
<p>PRODUCT WARRANTY</p> <p>REFER TO ARTICLE 3 "PRODUCT WARRANTY" PUBLISHED ON SALES CONDITIONS, DOCUMENTS OF SALE, WEBSITE www.varaschin.it</p>																				

TECHNICAL INFO SHEET: This product information sheet complies with Italian Legislative Decree No. 206 of 6 September 2005, "Consumer Code".

The information given above refers to the latest data published in the price list. The company reserves the right to alter the models without notice.

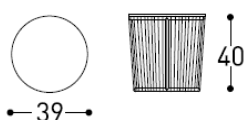
COMPANY WITH SYSTEM MANAGEMENT QUALITY CERTIFIED UNI EN ISO 9001: 2015



TIBIDABO

Design CALVI BRAMBILLA

Multipurpose basket with powder coated and hand woven aluminium frame. It can become a pouf with a padded seat or a coffee table with a hpl / ceramic top. Optional Outdoor Lighting.



Outdoor Lighting opzionale
Outdoor Lighting Optional

14270

Tavolino
Coffee table



STRUTTURA STRUCTURE



Grigio Seta
Silk Grey



Bronzo Metal
Metal Bronze



Grigio
Grey

INTRECCIO WEAVING



Cordino PERLA
Rope



Cordino VAR#TEX
Rope BRONZO



Cordino GREY
Rope BROWN

C/TOP HPL	Tavolino top Hpl			
	Pz	L	P	H
	1	43	43	44
	16 ⁷ / ₈	16 ⁷ / ₈	17 ³ / ₈	
	m ³ 0,081 - Kg 7,5 tot.			
	Kg 6,0 net			

C/TOP CERAMICA	Tavolino top Hpl			
	Pz	L	P	H
	1	43	43	44
	16 ⁷ / ₈	16 ⁷ / ₈	17 ³ / ₈	
	m ³ 0,081 - Kg 8,5 tot.			
	Kg 7,0 net			

istruzioni d'uso using instruction	IGTAV
telo copertura cover	9442C

STRUCTURAL COMPONENTS

MULTIPURPOSE BASKET WITH POWDER COATED AND HAND WOVEN ALUMINIUM FRAME. IT CAN BECOME A POUF WITH A PADDED SEAT OR A COFFEE TABLE WITH A HPL / CERAMIC TOP. OPTIONAL OUTDOOR LIGHTING.

CHARACTERISTICS OF THE MATERIALS

CHARACTERISTICS OF THE MATERIALS AND FABRICS ARE DESCRIBED IN THE WEBSITE www.varaschin.it FOLDER "MATERIALS" AND YOU CAN DOWNLOAD FROM FOLDER "DOWLOAD-MATERIALS".

INSTRUCTIONS FOR USING THE PRODUCT PROPERLY AND SAFELY

VARASCHIN IS NOT LIABLE FOR DAMAGE CAUSED BY IMPROPER USE. THE SAME APPLIES TO DAMAGE DERIVING FROM USE IN EXTREME WEATHER CONDITIONS OR LACK OF CARE. TIPS FOR EXTENDING LONGEVITY OF COMPONENTS: DURING THE WINTER STORE IN A DRY AND CLOSED PLACE TO AVOID CONDENSATION . DO NOT STEP ON WITH FEET. DO NOT SWING BACK AND FORTH ON THE LEGS. DO NOT SIT ON THE BACK OR ON ARMS. DO NOT USE AS A LADDER. BUTTONS AND THE ZIPPERS OF CLOTHING MAY CAUSE DAMAGE TO THE MATERIALS. IF NECESSARY, PLEASE CONTACT VARASCHIN SPA.

GENERAL INSTRUCTIONS FOR MAINTENANCE AND CLEANING

FOR DAILY CLEANING USE A DRY COTTON CLOTH. FOR MORE THOROUGH CLEANING USE ONLY A NEUTRAL PRODUCT DILUTED IN WARM WATER. NEVER USE ALCOHOL, AMMONIUM, THINNERS OR ABRASIVE PRODUCTS. IN MARINE ENVIRONMENTS ARTICLE SHOULD BE WEEKLY WHASED WITH FRESH WATER. FOR CLEANING AND TAKING CARE OF ALL MATERIALS AND FABRICS, SEE THE FOLDER "DOWNLOAD-MAINTENANCE" FROM OUR WEBSITE www.varaschin.it OR ASK FOR IT VIA E-MAIL AT customer-care@varaschin.it

GENERAL INFORMATION

N.B.: VARASCHIN SPA GUARANTEES THAT THE PRODUCT IS MADE OF QUALITY MATERIALS, USING THE BEST TECHNOLOGIES IN THE TRADE. THE COMPANY DECLINES ALL AND ANY LIABILITY FOR DAMAGE TO PERSONS AND/OR THINGS DUE TO IMPROPER USE OF THE PRODUCT. IF IN DOUBT PLEASE CONTACT THE MANUFACTURER.

DISPOSAL

PLEASE DO NOT JUST THROW OUT THE PIECE OF FURNITURE OR ANY PART OF IT. AT THE END OF ITS USE, PROVIDE FOR THE RECYCLING OR DISPOSAL OF THE COMPONENTS IN THE APPROPRIATE AREAS.

FIRE-FIGHTING MEASURES

ALTHOUGH THE PRODUCT IS NOT INFLAMMABLE, IT IS COMBUSTIBLE. THERE ARE NO RESTRICTIONS ON THE TYPES OF EXTINGUISHERS: POWDER, WATER, FOAM OR CO2. USE SUITABLE PROTECTION TO AVOID BREATHING IN FUMES. DURING DISPOSAL TAKE SPECIAL CARE TO PROTECT THE RESPIRATORY SYSTEM.

PRODUCT WARRANTY

REFER TO ARTICLE 3 "PRODUCT WARRANTY" PUBLISHED ON SALES CONDITIONS, DOCUMENTS OF SALE, WEBSITE www.varaschin.it

TECHNICAL INFO SHEET: This product information sheet complies with Italian Legislative Decree No. 206 of 6 September 2005, "Consumer Code". The information given above refers to the latest data published in the price list. The company reserves the right to alter the models without notice.


COMPANY WITH SYSTEM MANAGEMENT QUALITY CERTIFIED **UNI EN ISO 9001: 2015**



TIBIDABO

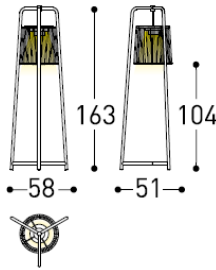
Design CALVI BRAMBILLA

Lampshade with powder-coated aluminium structure and handwoven basket. LED lighting via Outdoor Lighting.




14290
Paralume
Lampshade


Lampada ricaricabile Outdoor Lighting inclusa
Base ricarica esclusa
Outdoor Lighting rechargeable lamp included
Charging base not included



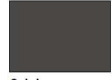
STRUTTURA
STRUCTURE



Grigio Seta
Silk Grey




Bronzo Metal
Metal Bronze




Grigio
Grey


INTRECCIO
WEAVING



Cordino PERLA
Rope



Cordino VAR#TEX
Rope BRONZO

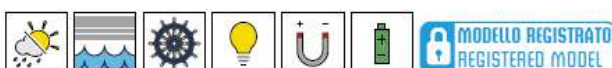


Cordino GREY
Rope BROWN

Pz	L	P	H
1	61	54	167
	24	21 1/4	65 3/4

m³ 0,550 - Kg 20,0 tot.

Kg 16,0 net



telo copertura **9416C**
cover

STRUCTURAL COMPONENTS

LAMP SHADE WITH POWDER-COATED ALUMINIUM STRUCTURE AND HANDWOVEN BASKET. LED LIGHTING VIA OUTDOOR LIGHTING.

CHARACTERISTICS OF THE MATERIALS

CHARACTERISTICS OF THE MATERIALS AND FABRICS ARE DESCRIBED IN THE WEBSITE www.varaschin.it FOLDER "MATERIALS" AND YOU CAN DOWNLOAD FROM FOLDER "DOWLOAD-MATERIALS".

INSTRUCTIONS FOR USING THE PRODUCT PROPERLY AND SAFELY

VARASCHIN IS NOT LIABLE FOR DAMAGE CAUSED BY IMPROPER USE. THE SAME APPLIES TO DAMAGE DERIVING FROM USE IN EXTREME WEATHER CONDITIONS OR LACK OF CARE. TIPS FOR EXTENDING LONGEVITY OF COMPONENTS: DURING THE WINTER STORE IN A DRY AND CLOSED PLACE TO AVOID CONDENSATION. DO NOT STEP ON WITH FEET. DO NOT SWING BACK AND FORTH ON THE LEGS. DO NOT SIT ON THE BACK OR ON ARMS. DO NOT USE AS A LADDER. BUTTONS AND THE ZIPPERS OF CLOTHING MAY CAUSE DAMAGE TO THE MATERIALS. IF NECESSARY, PLEASE CONTACT VARASCHIN SPA.

GENERAL INSTRUCTIONS FOR MAINTENANCE AND CLEANING

FOR DAILY CLEANING USE A DRY COTTON CLOTH. FOR MORE THOROUGH CLEANING USE ONLY A NEUTRAL PRODUCT DILUTED IN WARM WATER. NEVER USE ALCOHOL, AMMONIUM, THINNERS OR ABRASIVE PRODUCTS. IN MARINE ENVIRONMENTS ARTICLE SHOULD BE WEEKLY WHASED WITH FRESH WATER. FOR CLEANING AND TAKING CARE OF ALL MATERIALS AND FABRICS, SEE THE FOLDER "DOWNLOAD-MAINTENANCE" FROM OUR WEBSITE www.varaschin.it OR ASK FOR IT VIA E-MAIL AT customer-care@varaschin.it

GENERAL INFORMATION

N.B.: VARASCHIN SPA GUARANTEES THAT THE PRODUCT IS MADE OF QUALITY MATERIALS, USING THE BEST TECHNOLOGIES IN THE TRADE. THE COMPANY DECLINES ALL AND ANY LIABILITY FOR DAMAGE TO PERSONS AND/OR THINGS DUE TO IMPROPER USE OF THE PRODUCT. IF IN DOUBT PLEASE CONTACT THE MANUFACTURER.

DISPOSAL

PLEASE DO NOT JUST THROW OUT THE PIECE OF FURNITURE OR ANY PART OF IT. AT THE END OF ITS USE, PROVIDE FOR THE RECYCLING OR DISPOSAL OF THE COMPONENTS IN THE APPROPRIATE AREAS.

FIRE-FIGHTING MEASURES

ALTHOUGH THE PRODUCT IS NOT INFLAMMABLE, IT IS COMBUSTIBLE. THERE ARE NO RESTRICTIONS ON THE TYPES OF EXTINGUISHERS: POWDER, WATER, FOAM OR CO2. USE SUITABLE PROTECTION TO AVOID BREATHING IN FUMES. DURING DISPOSAL TAKE SPECIAL CARE TO PROTECT THE RESPIRATORY SYSTEM.

PRODUCT WARRANTY

REFER TO ARTICLE 3 "PRODUCT WARRANTY" PUBLISHED ON SALES CONDITIONS, DOCUMENTS OF SALE, WEBSITE www.varaschin.it

TECHNICAL INFO SHEET: This product information sheet complies with Italian Legislative Decree No. 206 of 6 September 2005, "Consumer Code". The information given above refers to the latest data published in the price list. The company reserves the right to alter the models without notice.

COMPANY WITH SYSTEM MANAGEMENT QUALITY CERTIFIED **UNI EN ISO 9001: 2015**